



City of Chicago



O2014-9951

Office of the City Clerk

Document Tracking Sheet

Meeting Date:	12/10/2014
Sponsor(s):	Sposato (36)
Type:	Ordinance
Title:	Grant(s) of privilege in public way for Umami Sushi
Committee(s) Assignment:	Committee on Transportation and Public Way

ORDINANCE
UMAMI SUSHI
Acct. No. 375241 - 1
Permit No. 1102759

Be It Ordained by the City Council of the City of Chicago:

SECTION 1. Permission and authority are hereby given and granted to UMAMI SUSHI, upon the terms and subject to the conditions of this ordinance to maintain and use one (1) sign(s) projecting over the public right-of-way attached to its premises known as 4626 N. Cumberland Ave..

Said sign structure(s) measures as follows; along W Cumberland Ave:
One (1) at twenty (20) feet in length, two point five (2.5) feet in height and eighteen point five (18.5) feet above grade level.

The location of said privilege shall be as shown on prints kept on file with the Department of Business Affairs and Consumer Protection and the Office of the City Clerk.

Said privilege shall be constructed in accordance with plans and specifications approved by the Department of Transportation (Division of Project Development) and Zoning Department - Signs.

This grant of privilege in the public way shall be subject to the provisions of Section 10-28-015 and all other required provisions of the Municipal Code of Chicago.

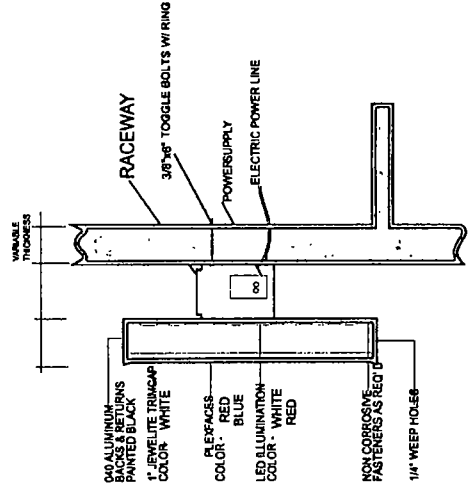
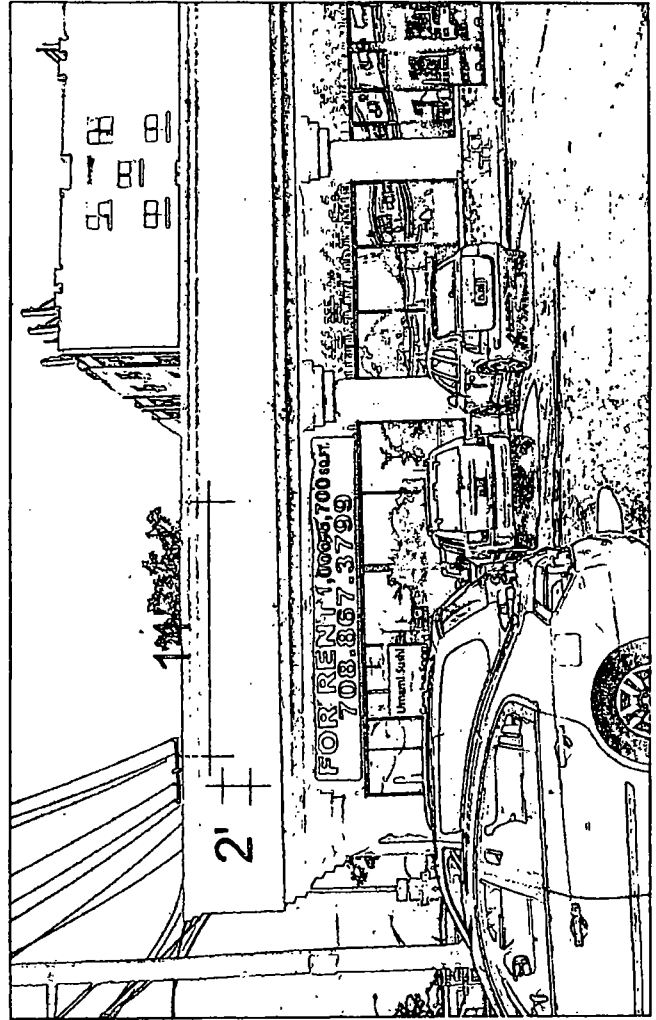
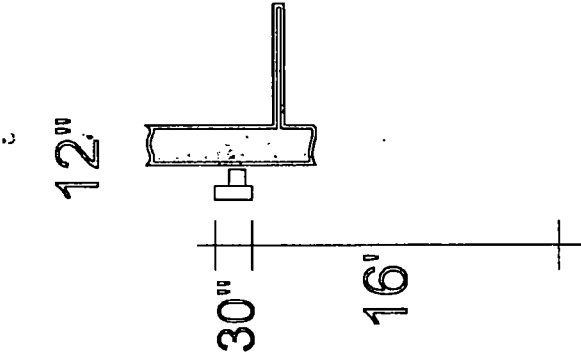
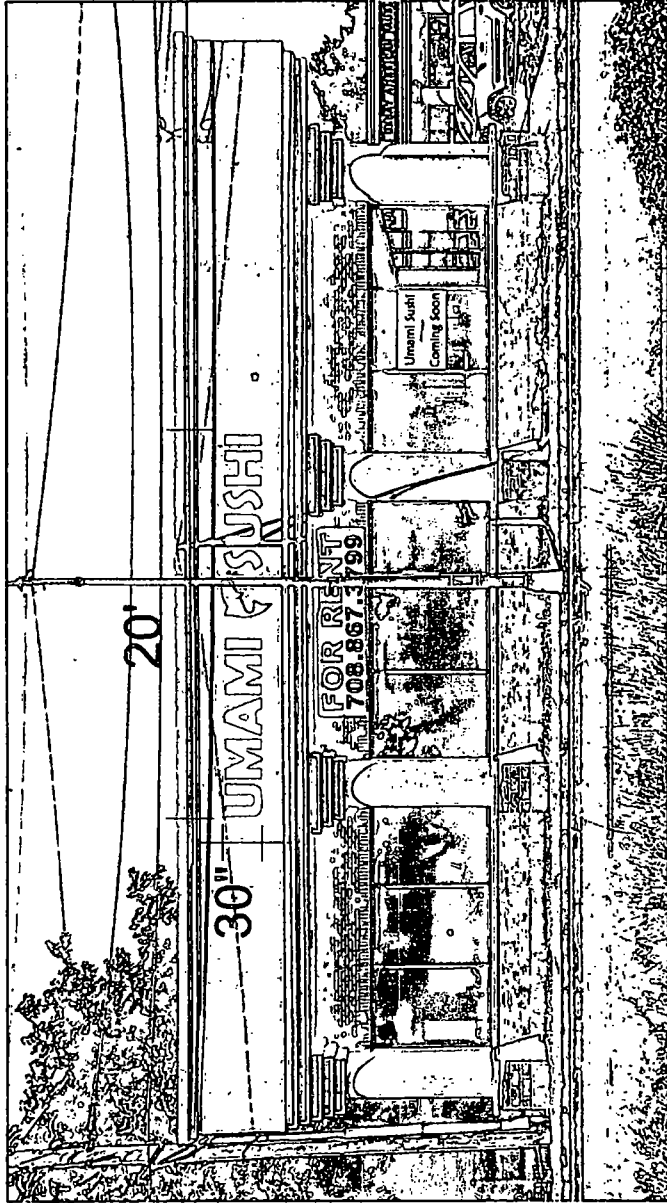
The grantee shall pay to the City of Chicago as compensation for the privilege #1102759 herein granted the sum of three hundred (\$300.00) per annum in advance.

A 25% penalty will be added for payments received after due date.

The permit holder agrees to hold the City of Chicago harmless for any damage, relocation or replacement costs associated with damage, relocation or removal of private property caused by the City performing work in the public way.

Authority herein given and granted for a period of five (5) years from and after Date of Passage.

Alderman 
Nicholas Sposato 36th Ward



- 040 ALUMINUM BACKS & RETURNS PAINTED BLACK
- 1" JEWELITE TRIM GAP COLOR - WHITE
- RE SPACES COLOR - RED BLUE
- LED ILLUMINATION COLOR - WHITE RED
- NON CORROSIIVE FASTENERS AS REQ'D
- 1/4" KEYP HOLES



Department of Business Affairs and Consumer Protection
Small Business Center - Public Way Use Unit
City Hall - 121 N. LaSalle Street, Room 800 • Chicago, IL 60602
(312)-74-GOBIZ (312-744-6249) • (312) 744-1944 (TTY)
<http://www.cityofchicago.org/bacp>

12/10/2014

Alderman Nicholas Sposato
Ward # 36
City of Chicago
City Hall, Room 304
121 North LaSalle Street
Chicago, Illinois 60602

Re: An ordinance to use and maintain a portion of the public right-of-way for **one (1) sign(s)** for **UMAMI SUSHI**, adjacent to the premises known as **4626 N. Cumberland Ave.**.

Dear Alderman **Nicholas Sposato**:

The applicant referenced above has requested the use of the public right-of-way for a **sign(s)**. An ordinance has been prepared by the Department of Business Affairs and Consumer Protection – Small Business Center - Public Way Use Unit for presentation to the City Council. Because this request was made for properties located in your ward, as approved by you as per the attached, I respectfully request that you introduce the attached ordinance at the next City Council meeting.

If you have any questions regarding this ordinance, please contact Anthony Bertuca at (312) 744-5506.

Department of Business Affairs and Consumer Protection