



Office of the City Clerk



O2012-5786

Office of the City Clerk

City Council Document Tracking Sheet

Meeting Date:	9/12/2012
Sponsor(s):	Osterman, Harry (48)
Type:	Ordinance
Title:	Awning(s) for Broadway Festival LLC
Committee(s) Assignment:	Committee on Transportation and Public Way

ORDINANCE
BROADWAY FESTIVAL L.L.C.
Acct. No. 210614 - 1
Permit No. 1102728

Be It Ordained by the City Council of the City of Chicago:

SECTION 1. Permission and authority are hereby given and granted to BROADWAY FESTIVAL L.L.C., upon the terms and subject to the conditions of this ordinance to maintain and use, as now constructed, one (1) Awning(s) projecting over the public right-of-way adjacent to its premises known as 5300 N. Broadway .

Said Awning(s) at N.BROADWAY measure(s):

One (1) at one hundred twenty (120) feet in length, and four (4) feet in width for a total of four hundred eighty (480) square feet.

The location of said privilege shall be as shown on prints kept on file with the Department of Business Affairs and Consumer Protection and the Office of the City Clerk.

Said privilege shall be constructed in accordance with plans and specifications approved by the Zoning Department - Signs.

This grant of privilege in the public way shall be subject to the provisions of Section 10-28-015 and all other required provisions of the Municipal Code of Chicago.

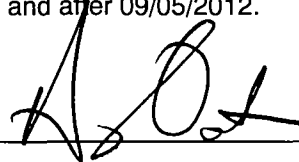
The grantee shall pay to the City of Chicago as compensation for the privilege #1102728 herein granted the sum of one hundred forty-five (\$145.00) per annum in advance.

A 25% penalty will be added for payments received after due date.

The permit holder agrees to hold the City of Chicago harmless for any damage, relocation or replacement costs associated with damage, relocation or removal of private property caused by the City performing work in the public way.

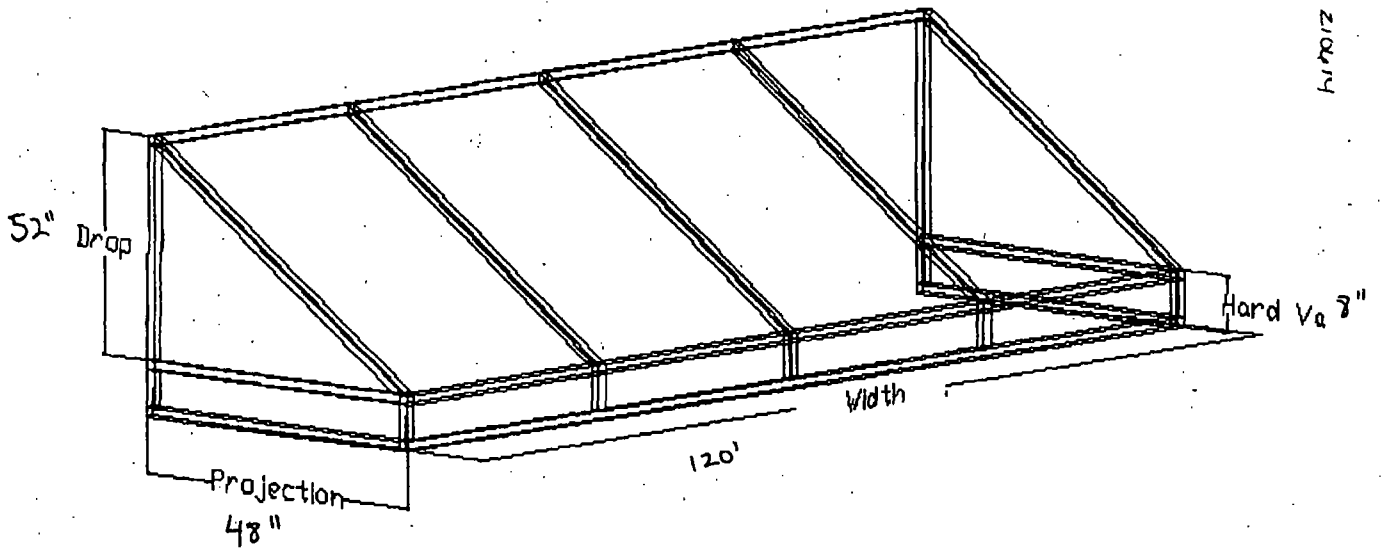
Authority herein given and granted for a period of five (5) years from and after 09/05/2012.

Alderman _____



Harry Osterman 48th Ward

POST 210414





09/12/2012

Alderman **Harry Osterman**
Ward # **48**
City of Chicago
City Hall, Room **300**
121 North LaSalle Street
Chicago, Illinois 60602

Re: An ordinance to use and maintain a portion of the public right-of-way for **one (1) awning(s)** for
BROADWAY FESTIVAL L.L.C., adjacent to the premises known as **5300 N. Broadway** .

Dear Alderman **Harry Osterman**:

The applicant referenced above has requested the use of the public right-of-way for a **awning(s)**. An ordinance has been prepared by the Department of Business Affairs and Consumer Protection – Business Assistance Center - Public Way Use Unit for presentation to the City Council. Because this request was made for properties located in your ward, as approved by you as per the attached, I respectfully request that you introduce the attached ordinance at the next City Council meeting.

If you have any questions regarding this ordinance, please contact Anthony Bertuca at (312) 744-5506.

Department of Business Affairs and Consumer Protection