



City of Chicago



O2016-8917

Office of the City Clerk Document Tracking Sheet

Meeting Date:	12/14/2016
Sponsor(s):	Waguespack (32)
Type:	Ordinance
Title:	Awning(s) for Big City Bikes
Committee(s) Assignment:	Committee on Transportation and Public Way

ORDINANCE
Big City Bikes
Acct. No. 397452 - 1
Permit No. 1125100

Be It Ordained by the City Council of the City of Chicago:

SECTION 1. Permission and authority are hereby given and granted to Big City Bikes, upon the terms and subject to the conditions of this ordinance to construct, install, maintain and use one (1) Awning(s) projecting over the public right-of-way adjacent to its premises known as 2425 N. Ashland Ave..

Said Awning(s) at Ashland measure(s):

One (1) at fourteen (14) feet in length, and four (4) feet in width for a total of fifty-six (56) square feet.

The location of said privilege shall be as shown on prints kept on file with the Department of Business Affairs and Consumer Protection and the Office of the City Clerk.

Said privilege shall be constructed in accordance with plans and specifications approved by the Zoning Department - Signs.

This grant of privilege in the public way shall be subject to the provisions of Section 10-28-015 and all other required provisions of the Municipal Code of Chicago.

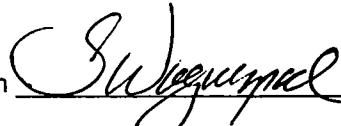
The grantee shall pay to the City of Chicago as compensation for the privilege #1125100 herein granted the sum of fifty (\$50.00) per annum in advance.

A 25% penalty will be added for payments received after due date.

The permit holder agrees to hold the City of Chicago harmless for any damage, relocation or replacement costs associated with damage, relocation or removal of private property caused by the City performing work in the public way.

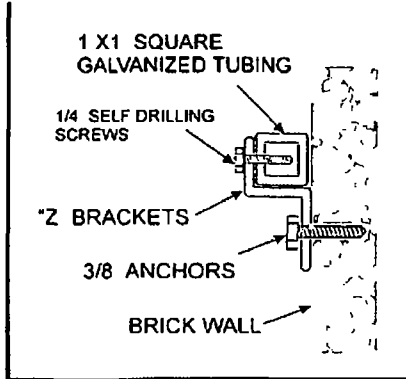
Authority herein given and granted for a period of five (5) years from and after Date of Passage.

Alderman



Scott Waguespack 32nd Ward

Awning

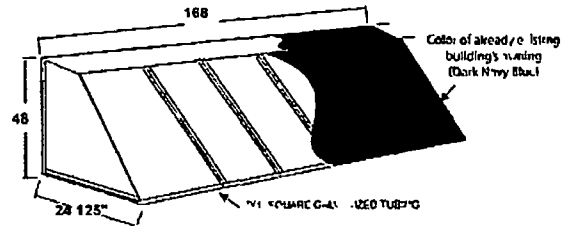


Color from Big City Bikes logo (Light Blue)



AWNING RECOVER

Fabric Rocacril Book Navy Blue R 174
 Paint Sherwin Williams Book Blue SW 6605 Atmosphere Red SW 6688 Real Red



<p>5500 N. Kedzie Ave Chicago, IL 60625 773-267-0007 sales@tfasigns.com</p>	Client <u>Big City Bikes</u>	Landlord _____	Start Date 00/00/0000	<p>Client Approval</p>	Sales Rep Seung Park Designer
	Address <u>2425 N Ashland Chicago</u>	Address _____	Last Revision 00/00/0000		
	Tel _____	Tel _____	Job# 00000		
	Email _____	Email _____	Drawing# 00000a v1 s1 / e1		
			Page 1 of 2	Landlord Approval _____	E322358



12/14/2016

Alderman Scott Waguespack
Ward # 32
City of Chicago
City Hall, Room 300
121 North LaSalle Street
Chicago, Illinois 60602

Re: An ordinance to use and maintain a portion of the public right-of-way for **one (1) awning(s)** for **Big City Bikes**, adjacent to the premises known as **2425 N. Ashland Ave.**.

Dear Alderman **Scott Waguespack**:

The applicant referenced above has requested the use of the public right-of-way for a **awning(s)**. An ordinance has been prepared by the Department of Business Affairs and Consumer Protection – Small Business Center - Public Way Use Unit for presentation to the City Council. Because this request was made for properties located in your ward, as approved by you as per the attached, I respectfully request that you introduce the attached ordinance at the next City Council meeting.

If you have any questions regarding this ordinance, please contact Anthony Bertuca at (312) 744-5506.

Department of Business Affairs and Consumer Protection