



City of Chicago



O2017-8794

Office of the City Clerk
Document Tracking Sheet

Meeting Date:	12/13/2017
Sponsor(s):	Burke (14)
Type:	Ordinance
Title:	Grant(s) of privilege in public way for America Travel & Services, Inc.
Committee(s) Assignment:	Committee on Transportation and Public Way

ORDINANCE
AMERICA TRAVEL & SERVICES INC
Acct. No. 250905 - 4
Permit No. 1130683

Be It Ordained by the City Council of the City of Chicago:

SECTION 1. Permission and authority are hereby given and granted to AMERICA TRAVEL & SERVICES INC, upon the terms and subject to the conditions of this ordinance to maintain and use one (1) sign(s) projecting over the public right-of-way attached to its premises known as 5158 S. Kedzie Ave..

Said sign structure(s) measures as follows; along S. Kedzie:
One (1) at eight (8) feet in length, four (4) feet in height and sixteen (16) feet above grade level.

The location of said privilege shall be as shown on prints kept on file with the Department of Business Affairs and Consumer Protection and the Office of the City Clerk.

Said privilege shall be constructed in accordance with plans and specifications approved by the Department of Transportation (Division of Project Development) and Zoning Department - Signs.

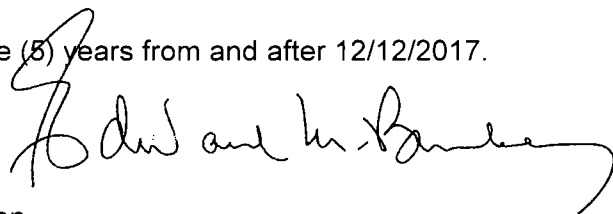
This grant of privilege in the public way shall be subject to the provisions of Section 10-28-015 and all other required provisions of the Municipal Code of Chicago.

The grantee shall pay to the City of Chicago as compensation for the privilege #1130683 herein granted the sum of three hundred (\$300.00) per annum in advance.

A 25% penalty will be added for payments received after due date.

The permit holder agrees to hold the City of Chicago harmless for any damage, relocation or replacement costs associated with damage, relocation or removal of private property caused by the City performing work in the public way.

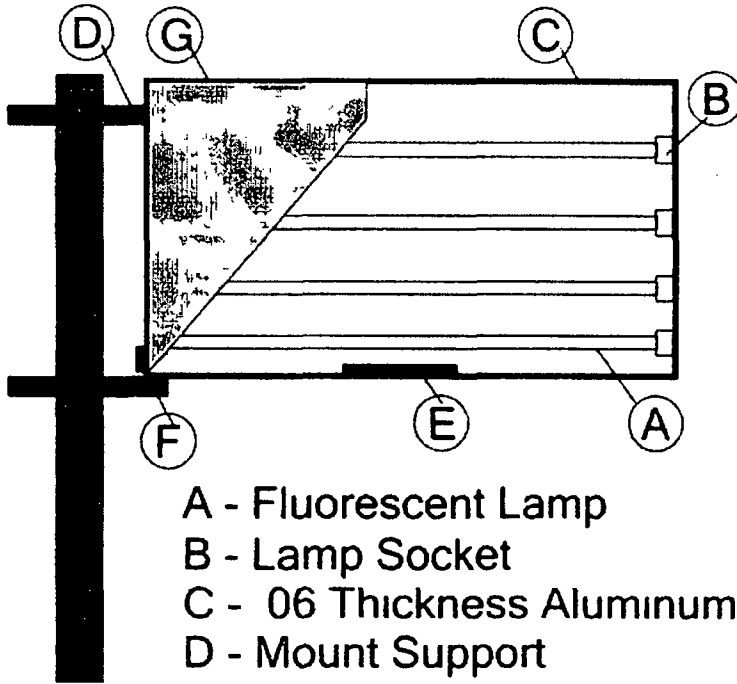
Authority herein given and granted for a period of five (5) years from and after 12/12/2017.



Alderman _____

Edward M. Burke 14th Ward

Name: America Accounting
Site address 5158 S. Kedzie Ave.
Sign type: Electric sign
Color : yellow with blue graphics



- A - Fluorescent Lamp
- B - Lamp Socket
- C - 06 Thickness Aluminum
- D - Mount Support
- E - Ballast
- F - Switch
- G - 3/16" Lexan plastic

General Specifications

Sign Type	Illuminated Sign
Retainer Size	12"
Retainer Color	Black
Retainer Gauge	0 040 Aluminum
Sign Style	Double Face
Face color	Yellow
Sign Style	3/16 Lexan
Vinyl Graphics	Full color
Lamp	F96T12CW/HO
Ballast	256-496 (1) 120V



Department of Business Affairs and Consumer Protection
Small Business Center - Public Way Use Unit
City Hall - 121 N. LaSalle Street, Room 800 • Chicago, IL 60602
312-74-GOBIZ / 312-744-6249 • (312) 744-1944 (TTY)
<http://www.cityofchicago.org/bacp>

12/13/2017

Alderman **Edward M. Burke**
Ward # **14**
City of Chicago
City Hall, Room **302**
121 North LaSalle Street
Chicago, Illinois 60602

Re: An ordinance to use and maintain a portion of the public right-of-way for **one (1) sign(s)** for
AMERICA TRAVEL & SERVICES INC, adjacent to the premises known as **5158 S. Kedzie**
Ave..

Dear Alderman **Edward M. Burke**:

The applicant referenced above has requested the use of the public right-of-way for a **sign(s)**. An ordinance has been prepared by the Department of Business Affairs and Consumer Protection – Small Business Center - Public Way Use Unit for presentation to the City Council. Because this request was made for properties located in your ward, as approved by you as per the attached, I respectfully request that you introduce the attached ordinance at the next City Council meeting.

If you have any questions regarding this ordinance, please contact Anthony Bertuca at (312) 744-5506.

Department of Business Affairs and Consumer Protection