



# City of Chicago



O2018-5924

Office of the City Clerk

## Document Tracking Sheet

<b>Meeting Date:</b>	7/19/2018
<b>Sponsor(s):</b>	Dowell (3)
<b>Type:</b>	Ordinance
<b>Title:</b>	Grant(s) of privilege in public way for Shoe Avenue
<b>Committee(s) Assignment:</b>	Committee on Transportation and Public Way

Direct Intro  
#3

ORDINANCE  
Shoe Avenue  
Acct. No. 249981 - 1  
Permit No. 1130011

*Be It Ordained by the City Council of the City of Chicago:*

SECTION 1. Permission and authority are hereby given and granted to Shoe Avenue, upon the terms and subject to the conditions of this ordinance to maintain and use one (1) sign(s) projecting over the public right-of-way attached to its premises known as 323 E. 47th St..

Said sign structure(s) measures as follows; along E 47th St:  
One (1) at four (4) feet in length, four (4) feet in height and ten (10) feet above grade level.

The location of said privilege shall be as shown on prints kept on file with the Department of Business Affairs and Consumer Protection and the Office of the City Clerk.

Said privilege shall be constructed in accordance with plans and specifications approved by the Department of Transportation (Division of Project Development) and Zoning Department - Signs.

This grant of privilege in the public way shall be subject to the provisions of Section 10-28-015 and all other required provisions of the Municipal Code of Chicago.

The grantee shall pay to the City of Chicago as compensation for the privilege #1130011 herein granted the sum of one hundred (\$100.00) per annum in advance.

A 25% penalty will be added for payments received after due date.

The permit holder agrees to hold the City of Chicago harmless for any damage, relocation or replacement costs associated with damage, relocation or removal of private property caused by the City performing work in the public way.

Authority herein given and granted for a period of five (5) years from and after Date of Passage.

Alderman \_\_\_\_\_

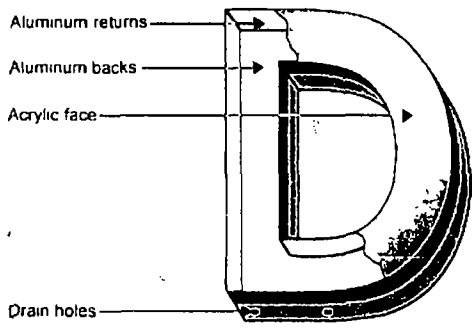
Pat Dowell 3<sup>rd</sup> Ward

**Ed Signs**  
 Contact us today for your free Estimate! If you can't come to us, we'll come to you!  
 Ph. (773) 436 5764 Fax (773) 436 5770  
 edsigns@abcglobal.net

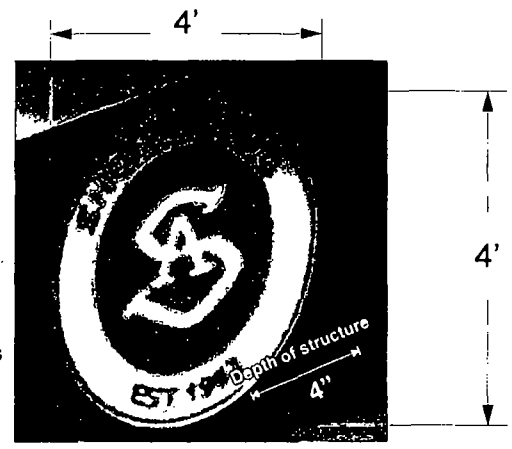
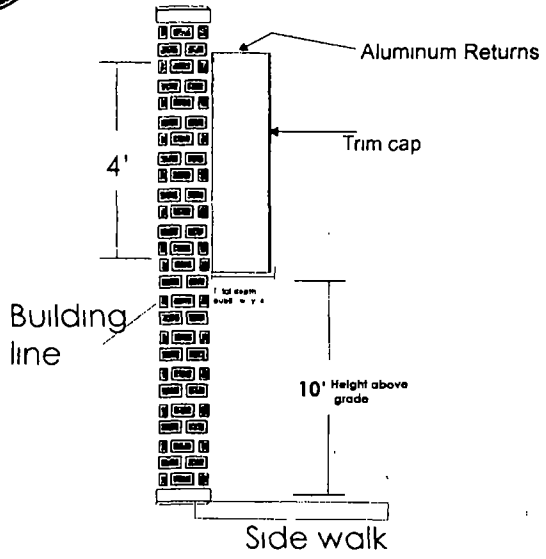
Name Shoe Avenue  
 Address 323 E 47th St

Name Arnold Lim  
 Ph (224)392-9027

## FRONT LIT LED CHANNEL LETTER FLUSH MOUNT



**FRONT VIEW**



### General Specifications

Sign Type	Channel Letters
Retainer Size	4'
Retainer Color	Black
Retainer Gauge	0.040 Aluminum
Face color	White
Material	3/16" acrylic



Department of Business Affairs and Consumer Protection  
Small Business Center - Public Way Use Unit  
City Hall - 121 N. LaSalle Street, Room 800 • Chicago, IL 60602  
312-74-GCBIZ / 312-744-6249 • (312) 744-1944 (TTY)  
<http://www.cityofchicago.org/bacp>

06/27/2018

Alderman **Pat Dowell**  
Ward # **03**  
City of Chicago  
City Hall, Room **200**  
121 North LaSalle Street  
Chicago, Illinois 60602

Re: An ordinance to use and maintain a portion of the public right-of-way for **one (1) sign(s)** for **Shoe Avenue**, adjacent to the premises known as **323 E. 47th St.**.

Dear Alderman **Pat Dowell**:

The applicant referenced above has requested the use of the public right-of-way for a **sign(s)**. An ordinance has been prepared by the Department of Business Affairs and Consumer Protection – Small Business Center - Public Way Use Unit for presentation to the City Council. Because this request was made for properties located in your ward, as approved by you as per the attached, I respectfully request that you introduce the attached ordinance at the next City Council meeting.

If you have any questions regarding this ordinance, please contact Anthony Bertuca at (312) 744-5506.

**Department of Business Affairs and Consumer Protection**