



# City of Chicago



O2014-7638

Office of the City Clerk

## Document Tracking Sheet

<b>Meeting Date:</b>	9/10/2014
<b>Sponsor(s):</b>	Burnett (27)
<b>Type:</b>	Ordinance
<b>Title:</b>	Grant(s) of privilege in public way for Insight Studios
<b>Committee(s) Assignment:</b>	Committee on Transportation and Public Way

ORDINANCE  
INSIGHT STUDIOS  
Acct. No. 281408 - 3  
Permit No. 1114610

*Be It Ordained by the City Council of the City of Chicago:*

SECTION 1. Permission and authority are hereby given and granted to INSIGHT STUDIOS, upon the terms and subject to the conditions of this ordinance to maintain and use one (1) sign(s) projecting over the public right-of-way attached to its premises known as 1062 N. Milwaukee Ave..

Said sign structure(s) measures as follows; along N. Milwaukee Avenue:  
One (1) at five (5) feet in length, two point five (2.5) feet in height and ten (10) feet above grade level.

The location of said privilege shall be as shown on prints kept on file with the Department of Business Affairs and Consumer Protection and the Office of the City Clerk.

Said privilege shall be constructed in accordance with plans and specifications approved by the Department of Transportation (Division of Project Development) and Zoning Department - Signs.

This grant of privilege in the public way shall be subject to the provisions of Section 10-28-015 and all other required provisions of the Municipal Code of Chicago.

The grantee shall pay to the City of Chicago as compensation for the privilege #1114610 herein granted the sum of one hundred (\$100.00) per annum in advance.

A 25% penalty will be added for payments received after due date.

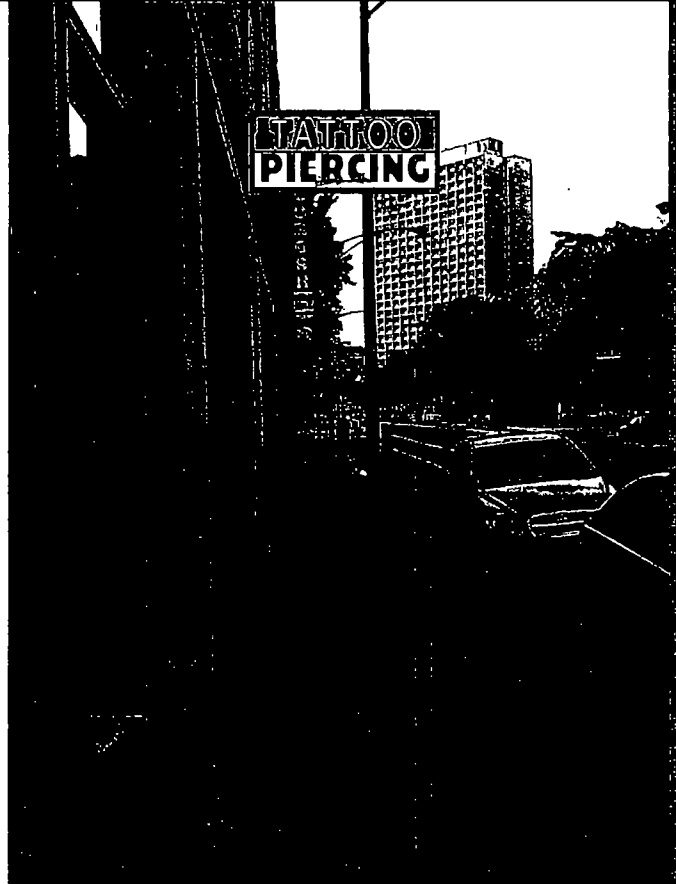
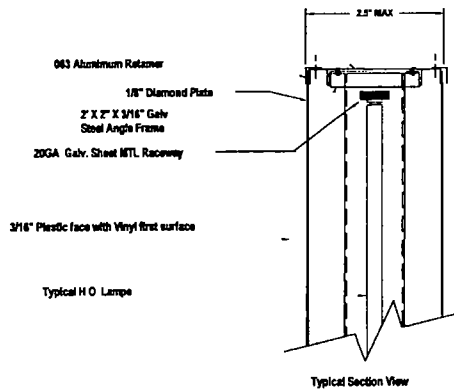
The permit holder agrees to hold the City of Chicago harmless for any damage, relocation or replacement costs associated with damage, relocation or removal of private property caused by the City performing work in the public way.

Authority herein given and granted for a period of five (5) years from and after 07/29/2014.

Alderman 

Walter Burnett Jr. 27<sup>th</sup> Ward

# Illuminated Sign Cabinet Projection Mounted



STRICTLY NEON, INC.  
 4608 W. 137TH ST.  
 CRESTWOOD, IL 60445  
 (708)597-1616  
 (708)597-8638 FAX

LOCATION  
 1062 N. MILWAUKEE  
 CHICAGO, IL

CLIENT  
 INSIGHT STUDIOS

- \* DOUBLE SIDED SIGN.
- \* FACES 3/16" LEXON.
- \* FIRST SURFACE VINYL DECORATED.
- \* BOX PAINTED BLACK.
- \* 11 WATT LIGHT BULBS CHASING.