



City of Chicago



O2017-3404

Office of the City Clerk

Document Tracking Sheet

Meeting Date:	4/19/2017
Sponsor(s):	Hopkins (2)
Type:	Ordinance
Title:	Grant(s) of privilege in public way for Cooking Fools LLC
Committee(s) Assignment:	Committee on Transportation and Public Way

ORDINANCE
COOKING FOOLS LLC
Acct. No. 258151 - 2
Permit No. 1127393

Be It Ordained by the City Council of the City of Chicago:

SECTION 1. Permission and authority are hereby given and granted to COOKING FOOLS LLC, upon the terms and subject to the conditions of this ordinance to maintain and use, as now constructed, two (2) Banner(s) projecting over the public right-of-way adjacent to its premises known as 1914 W. North Ave..

Said Banner(s) at W. North Avenue measure(s):

Two (2) at six point six six (6.66) feet in length, and two point five (2.5) feet in width for a total of thirty-three point three (33.3) square feet.

The location of said privilege shall be as shown on prints kept on file with the Department of Business Affairs and Consumer Protection and the Office of the City Clerk.

Said privilege shall be constructed in accordance with plans and specifications approved by the Zoning Department - Signs.

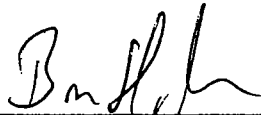
This grant of privilege in the public way shall be subject to the provisions of Section 10-28-015 and all other required provisions of the Municipal Code of Chicago.

The grantee shall pay to the City of Chicago as compensation for the privilege #1127393 herein granted the sum of one hundred fifty (\$150.00) per annum in advance.

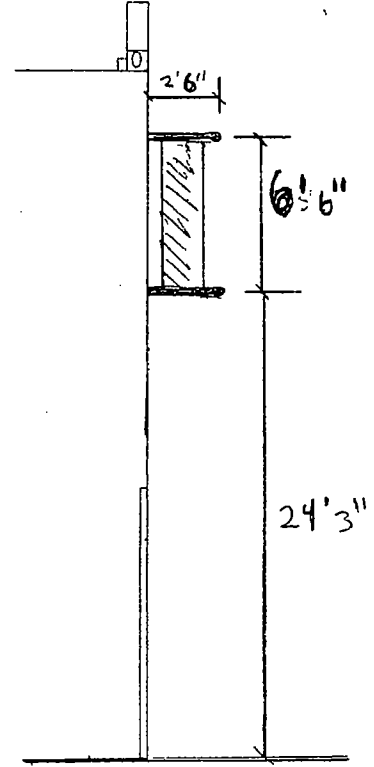
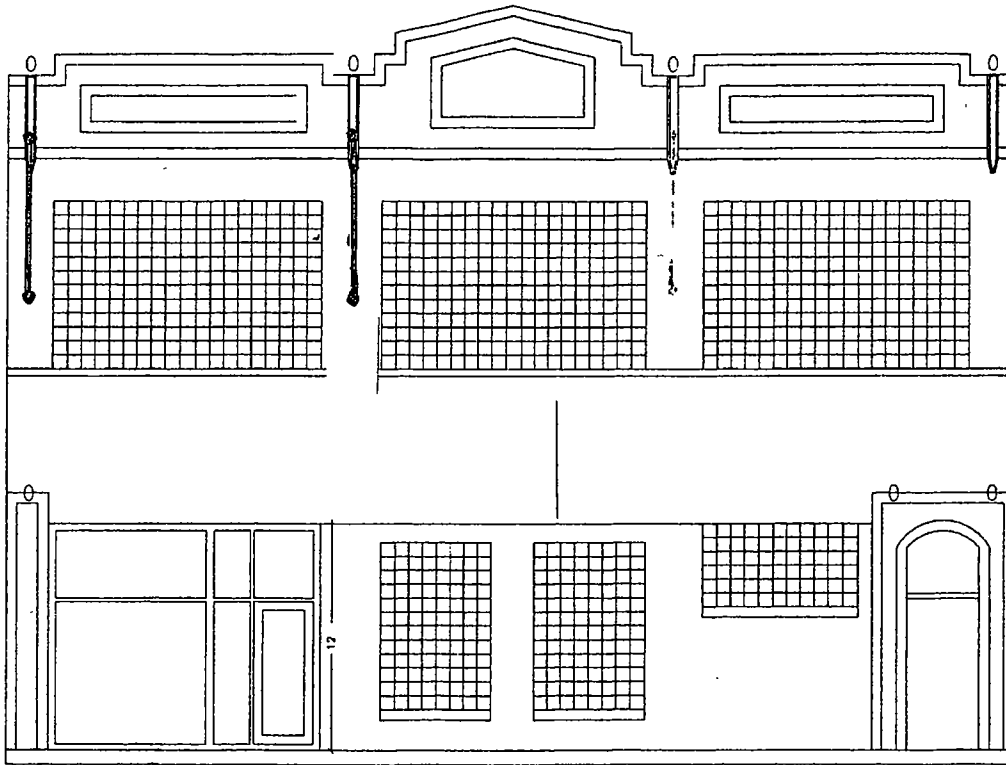
A 25% penalty will be added for payments received after due date.

The permit holder agrees to hold the City of Chicago harmless for any damage, relocation or replacement costs associated with damage, relocation or removal of private property caused by the City performing work in the public way.

Authority herein given and granted for a period of five (5) years from and after 02/15/2017.

Alderman 

Brian Hopkins 2nd Ward



1 SOUTH ELEVATION

2 WEST ELEVATION



Department of Business Affairs and Consumer Protection
Small Business Center - Public Way Use Unit
City Hall - 121 N LaSalle Street, Room 800 • Chicago, IL 60602
312-74-GOBIZ / 312-744-6249 • (312) 744-1944 (TTY)
<http://www.cityofchicago.org/bacp>

04/19/2017

Alderman **Brian Hopkins**
Ward # 02
City of Chicago
City Hall, Room 200
121 North LaSalle Street
Chicago, Illinois 60602

Re: An ordinance to use and maintain a portion of the public right-of-way for **two (2) banner(s)** for
COOKING FOOLS LLC, adjacent to the premises known as **1914 W. North Ave.**.

Dear Alderman **Brian Hopkins**:

The applicant referenced above has requested the use of the public right-of-way for a **banner(s)**. An ordinance has been prepared by the Department of Business Affairs and Consumer Protection – Small Business Center - Public Way Use Unit for presentation to the City Council. Because this request was made for properties located in your ward, as approved by you as per the attached, I respectfully request that you introduce the attached ordinance at the next City Council meeting.

If you have any questions regarding this ordinance, please contact Anthony Bertuca at (312) 744-5506.

Department of Business Affairs and Consumer Protection