



City of Chicago



O2016-2113

Office of the City Clerk

Document Tracking Sheet

Meeting Date:	3/16/2016
Sponsor(s):	Arena (45)
Type:	Ordinance
Title:	Awning(s) for Hong Kong Chinese Restaurant
Committee(s) Assignment:	Committee on Transportation and Public Way

ORDINANCE
HONG KONG CHINESE RESTAURANT
Acct. No. 385385 - 1
Permit No. 1120523

Be It Ordained by the City Council of the City of Chicago:

SECTION 1. Permission and authority are hereby given and granted to HONG KONG CHINESE RESTAURANT, upon the terms and subject to the conditions of this ordinance to construct, install, maintain and use one (1) Awning(s) projecting over the public right-of-way adjacent to its premises known as 3904 N. Cicero Ave..

Said Awning(s) at N Cicero Ave measure(s):

One (1) at fifteen (15) feet in length, and two (2) feet in width for a total of thirty (30) square feet.

The location of said privilege shall be as shown on prints kept on file with the Department of Business Affairs and Consumer Protection and the Office of the City Clerk.

Said privilege shall be constructed in accordance with plans and specifications approved by the Zoning Department - Signs.

This grant of privilege in the public way shall be subject to the provisions of Section 10-28-015 and all other required provisions of the Municipal Code of Chicago.

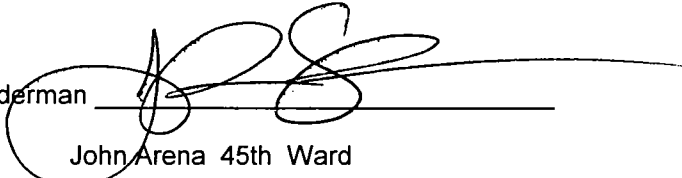
The grantee shall pay to the City of Chicago as compensation for the privilege #1120523 herein granted the sum of fifty (\$50.00) per annum in advance.

A 25% penalty will be added for payments received after due date.

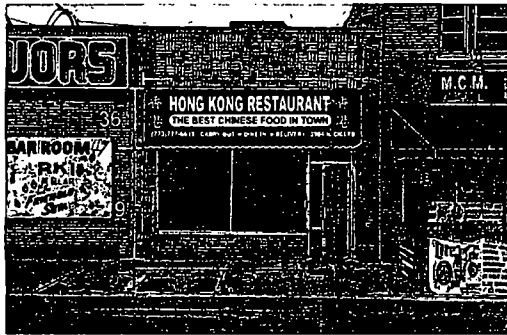
The permit holder agrees to hold the City of Chicago harmless for any damage, relocation or replacement costs associated with damage, relocation or removal of private property caused by the City performing work in the public way.

Authority herein given and granted for a period of five (5) years from and after Date of Passage.

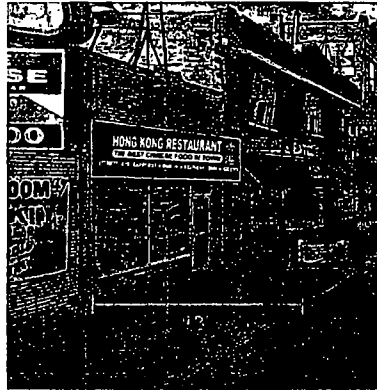
Alderman _____


John Arena 45th Ward

AWNING SIGN

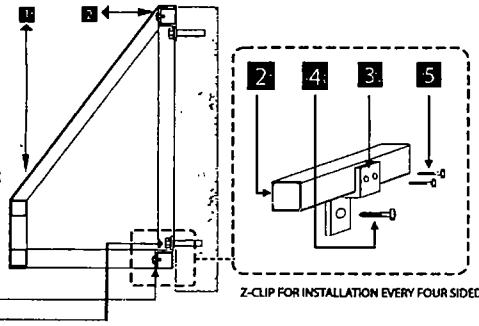


SIDE VIEW



SPECIFICATIONS

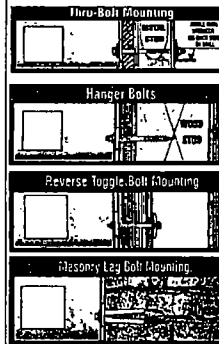
- 1 Awning Fabric Material
- 2 1"X 1" SQUARE TUBE FRAME
- 3 3/16" GALVANIZED STEEL Z-CLIP ATTACHMENT
- 4 APPROPRIATE NON-CORROSIVE WALL FASTENER SEE MOUNTING OPTION DETAILS
- 5 #12 TEK SCREW



COLOR SCHEDULE

- Yellow
- Red

MOUNTING DETAIL



THIS DESIGN AND ENGINEERING IS SUBMITTED AS OUR PROPOSAL, AND THE RIGHT TO USE OR EXHIBIT IN ANY FORM, IS NOT AUTHORIZED WITHOUT WRITTEN PERMISSION BY MONSIBIC, INC



(Bridgeport)
Chicago, IL

3401 S. Halsted St
Chicago, IL 60608
773-847-2828
Fax 773-847-0088

Help At Home
SIGN ELEVATION
EXHIBIT

Address
3904 N Cicero Ave

City Chicago, IL

Account Rep
Sales Rep K. WONG

APPROVALS
CLIENT
DESIGN
PROD Designer K. WONG

Design No
DATE 09-21-15

Rev Date

The purchaser agrees to hold the author
innocent against any cause for action for
damage which may occur as a result of
drilling for pipes and foundations, including
but not limited to, any gas lines or any
underground obstacles which the purchaser
or their representative



Department of Business Affairs and Consumer Protection
Small Business Center - Public Way Use Unit
City Hall - 121 N LaSalle Street, Room 800 • Chicago, IL 60602
312-74-GOBIZ / 312-744-6249 • (312) 744-1944 (TTY)
<http://www.cityofchicago.org/bacp>

03/16/2016

Alderman John Arena
Ward # 45
City of Chicago
City Hall, Room 300
121 North LaSalle Street
Chicago, Illinois 60602

Re: An ordinance to use and maintain a portion of the public right-of-way for **one (1) awning(s)** for **HONG KONG CHINESE RESTAURANT**, adjacent to the premises known as **3904 N. Cicero Ave.**

Dear Alderman **John Arena**:

The applicant referenced above has requested the use of the public right-of-way for a **awning(s)**. An ordinance has been prepared by the Department of Business Affairs and Consumer Protection – Small Business Center - Public Way Use Unit for presentation to the City Council. Because this request was made for properties located in your ward, as approved by you as per the attached, I respectfully request that you introduce the attached ordinance at the next City Council meeting.

If you have any questions regarding this ordinance, please contact Anthony Bertuca at (312) 744-5506.

Department of Business Affairs and Consumer Protection