



Office of the Chicago City
Clerk



Or2012-359

Office of the City Clerk

City Council Document Tracking Sheet

Meeting Date:	6/27/2012
Sponsor(s):	Burnett, Walter (27)
Type:	Order
Title:	Issuance of permits for sign(s)/signboard(s) at 600 W Division Street (west facade)
Committee(s) Assignment:	Committee on Zoning, Landmarks and Building Standards

City Council
Meeting Date: 6-27-2012
Committee on Buildings

(signs)

ORDERED, That the Commissioner of Buildings is hereby directed to
issue a sign permit to: (Contractor's name and address)

Neon Prism, 1213 Paramount Parkway, Batavia, Illinois 60510

for the erection of a sign / signboard over 24 feet in height and / or over 100
square feet (in area of one face) at: (Business NAME & ADDRESS)

Premises Address for Sign: 600 West Division Street, Chicago, Illinois 60615

(West Facade, Application Number: 100445945)

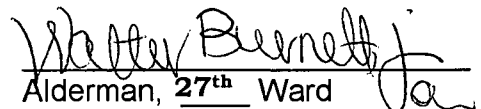
Business Name: Target Corporation

Dimensions: Length 13'-10" Height 15'-8"

Height above grade / roof to top of sign 67'-8"

TOTAL SQUARE FOOT AREA 216 s.f.

Such sign(s) shall comply with all applicable provisions of TITLE 17 of the
Chicago Zoning Ordinance and all other applicable provisions of the Municipal
Code of the City of Chicago governing the construction and maintenance of
outdoor signs, signboards and structures.


Alderman, 27th Ward

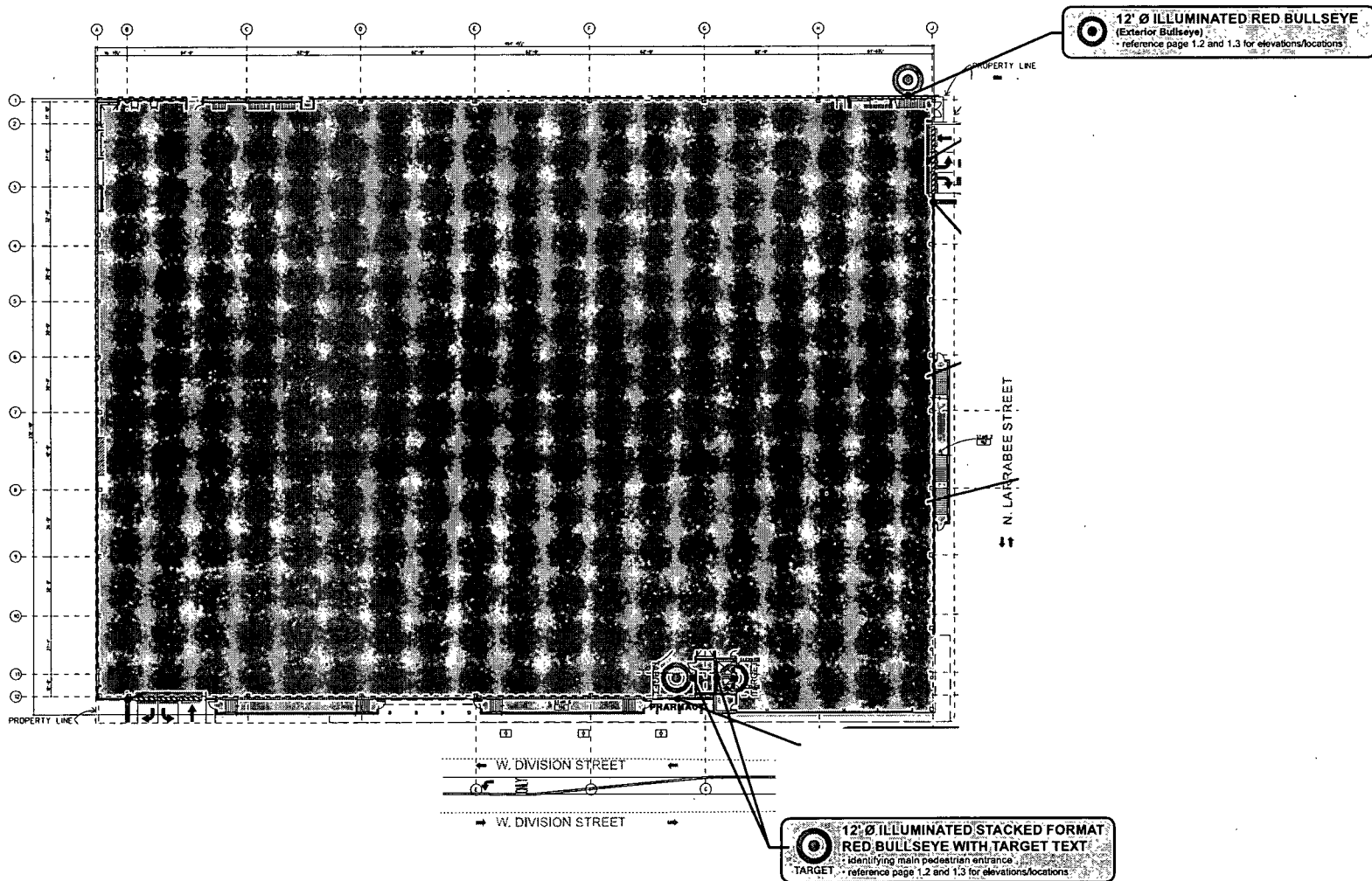


BLAIR COMPANIES
SIGNS • FIXTURES • LOGISTICS

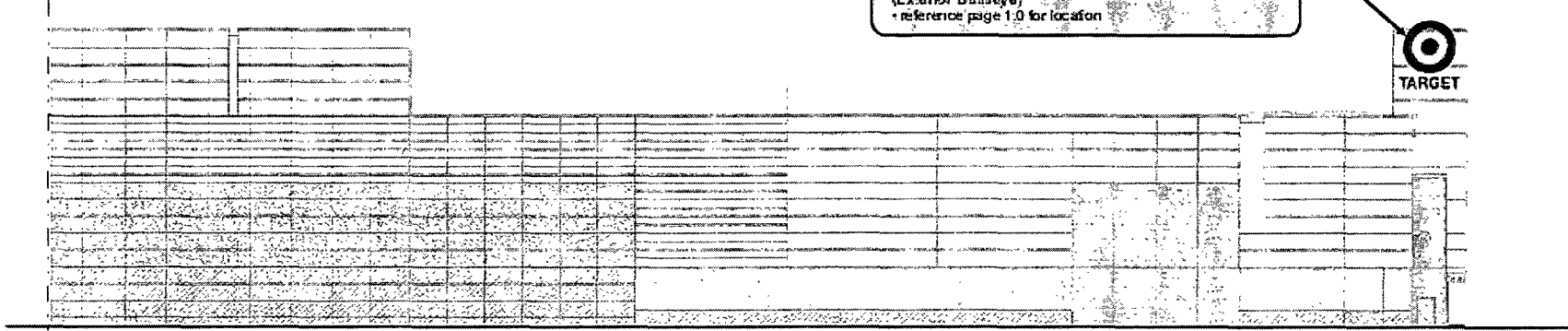
address: 5107 Kissell Avenue
Altoona PA 16601
telephone: 814.949.8287
fax: 814.949.8293
web: blaircompanies.com

project information

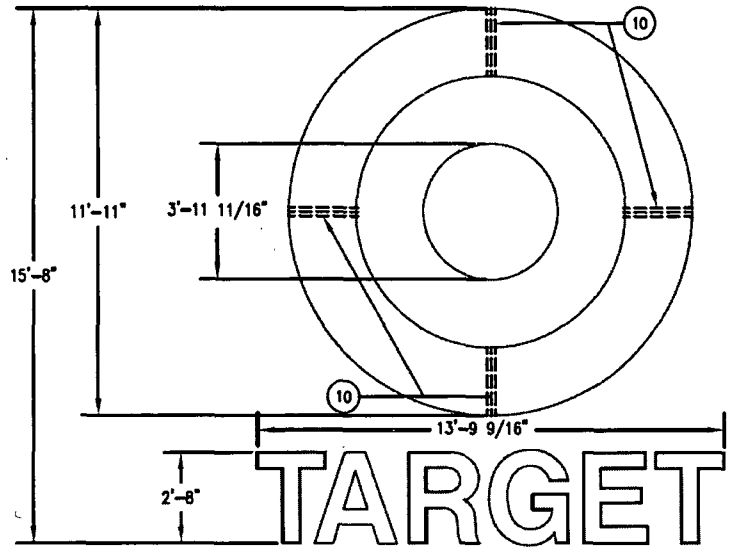
client: TARGET
address: Chicago Division
NEW W. Division & N. Larrabee
Chicago, IL
store #: T2613
m number: 24812
date: 04/09/12
sender: VB
file name: TGT 24812_12



12" Ø ILLUMINATED RED STACKED
 BULLSEYE
 (Exterior Bullseye)
 • reference page 1.0 for location



3 RIGHT ELEVATION - WEST
 AZ01



Overall Dimensions
 = 216 s.f.
 = 13'10" x 15'8"



BLAIR COMPANIES
 SIGNS • FIXTURES • LOGISTICS

address: 5107 Kissell Avenue
 Altoona PA 16601
 telephone: 814.9498287
 fax: 814.9498293
 web: blaircompany.com

project information

client: TARGET
 address: Chicago Division
 NEW W. Division & N. Larrabee
 Chicago, IL
 store #: T2613
 m number: 24812
 date: 04/09/12
 rendered: VB
 file name: TGT 24812_12



CITY OF CHICAGO

DEPARTMENT OF BUILDINGS

Sign Permit Application

APPROVAL NUMBER	APPLICATION NUMBER 100445945	ANNUAL FEE	WORK CODE	DRAWINGS ATTACHED <input type="checkbox"/> YES <input type="checkbox"/> NO
-----------------	---------------------------------	------------	-----------	--

DATE OF APPLICATION 06/20/2012	
ADDRESS OF SIGN 600 W DIVISION ST, 60610-	
BUILDING	ORIGINAL PERMIT NUMBER
TYPE OF PERMIT NEW CONSTRUCTION (SIGN)	
PAYER OF ANNUAL INSPECTION BEZANSON, JUDY P.O. BOX 9471 MINNEAPOLIS, MN 55403 (612)761-4912	
SIGN MANUFACTURER BLAIR COMPANIES	
ADDRESS WHERE SIGN CAN BE SEEN PRIOR TO ERECTION	
TICKET NUMBER 0	REINSPECTION CONTROL NUMBER
TYPE OF SUPPORT FOR SIGN BUILDING	
SIGN BOARD SUPPORT MEMBERS STEEL	
ANNUAL FEE	
CONSTRUCTION FEE	700.00
1017 B FEE	
TOTAL FEE	700.00
AMOUNT PAID	200.00
BALANCE DUE	\$ 500.00
	<u>Check # for Zoning</u>
	<u>Check # for DCAP</u>

TYPE OF SIGN FLAT OR BOX					
LENGTH	FT. 13	IN. 9	HEIGHT	FT. 15	IN. 8
AREA	SQ. FT. 215	WEIGHT		LBS. 75	
SIGN HEIGHT ABOVE GRADE/ROOF					FT. 52
SHAPE OF SIGN IRREGULAR					
SIGN WILL READ TARGET (WITH BULLSEYE LOGO)					
NO. OF LAMPS 200			TOTAL WATTAGE 480		
TYPE OF LAMP OTHER					
NO. OF BALLAST/TRANSFORMERS 8			INPUT OF TRANSFORMERS 120V		
CONTRACTOR WILL INSTALL			<input checked="" type="checkbox"/> N	FEEDERS	
			<input checked="" type="checkbox"/> Y	CUSTOMER LEADS	
TYPE OF SWITCH SPECIAL					
LOCATION OF SWITCH LISTED FLUSH TOGGLE					
SIGN LOCATION INSTALL ONE SET OF INDIVIDUAL, INTERNALLY ILLUMINATED CHANNEL LETTERS WITH BULLSEYE LOGO ON THE WEST ELEVATION.					

The undersigned certiv that the statements in this application are true and correct and that all work done under the proposed permit will conform to the requirements of the Chicago Municipal Code

REG. NO.	E92427
ELECT CONTR NEON PRISM	ELECTR
ADDRESS 1213 PARAMOUNT PARKWAY BATAVIA, IL 60510-	
SUPERVISOR SIGNATURE	

BOND. NO.	REG. NO.	N93036
SIGN ERECTOR NEON PRISM	SIGNER	
ADDRESS 1213 PARAMOUNT PKWY BATAVIA IL, 60510-		
SIGNATURE		

The permit issued on this application will authorize only signs here applied for. If other signs are to be erected they must be covered by additional permits

City of Chicago
Rahm Emanuel, Mayor



Department of Buildings
Michael Merchant, Commissioner

TYPE OF BUSINESS <u>COMMERCIAL</u> Other: _____ Name: _____ LIC #: _____ Renewal Date: _____	SIGN BOND REQUIRED? <input type="checkbox"/> YES COUNCIL ORDER REQUIRED <input checked="" type="checkbox"/> YES		
Projects Over: <input checked="" type="checkbox"/> Private Property <input checked="" type="checkbox"/> Public Way Grant Permit #: _____ <input checked="" type="checkbox"/> Planned Development/Manufacturing PMD/PD#: <u>1183</u> Zoning District: <u>OTHER</u> Other: <u>PD</u>	IS SPECIAL PERMISSION REQUIRED FROM CHIEF ELECTRICAL <input type="checkbox"/> YES IF YES, ATTACH LETTER OF REQUEST		
TYPE OF SIGN: <input type="checkbox"/> ADVERTISING <input checked="" type="checkbox"/> ILLUMINATE <input type="checkbox"/> MOVEABLE <input checked="" type="checkbox"/> BUSINESS <input type="checkbox"/> FLASHING	TIME STAMP		
TOTAL STREET FRONTAGE OF LOT (IN FEET) <u>1,738</u> TOTAL AREA OF NEW SIGN (SQ.FT.) <u>215</u> TOTAL AREA OF ALL SIGNS ON LOT (SQ.FT.) <u>771</u> HEIGHT OF SIGN ABOVE GRADE (TO TOP) <u>67ft 8in</u>	<table border="1" style="width:100%; border-collapse: collapse;"> <tr> <td style="width:50%; vertical-align: top;"> DISTANCE OF CURB LINE OUTER EDGE (ft) <u>20</u> DISTANCE OF STRUCTURE INNER EDGE (ft) <u>20</u> </td> <td style="width:50%; vertical-align: top;"> SIGN CLERK APPROVED FOR PERMIT </td> </tr> </table>	DISTANCE OF CURB LINE OUTER EDGE (ft) <u>20</u> DISTANCE OF STRUCTURE INNER EDGE (ft) <u>20</u>	SIGN CLERK APPROVED FOR PERMIT
DISTANCE OF CURB LINE OUTER EDGE (ft) <u>20</u> DISTANCE OF STRUCTURE INNER EDGE (ft) <u>20</u>	SIGN CLERK APPROVED FOR PERMIT		
DISTANCE FROM (ft): A. PUBLIC PARK (OVER 10 ACRES) _____ B. EXPRESSWAY (IF LESS THAN 1,000 FT.) _____ C. RESIDENCE DISTRICT (ADVERTISING SIGNS ONLY) _____ IF REPLACEMENT SIGN OR CHANGE OF FACE, WHAT DOES THE EXISTING SIGN READ? Original Payee: _____ Landmark Hold: <input type="checkbox"/> Status: _____	REMARKS		
ZONING (OFFICE USE ONLY)			