



City of Chicago



O2021-5822

Office of the City Clerk

Document Tracking Sheet

Meeting Date:	12/15/2021
Sponsor(s):	Reilly (42)
Type:	Ordinance
Title:	Grant(s) of privilege in public way for Chicago Sports Novelty
Committee(s) Assignment:	Committee on Transportation and Public Way

ORDINANCE

CHICAGO SPORTS NOVELTY

Acct. No.: 63955 - 12

Permit No: BACP1581064

Be It Ordained by the City Council of the City of Chicago:

SECTION 1. Permission and authority are hereby given and granted to CHICAGO SPORTS NOVELTY upon the terms and subject to the conditions of this ordinance to maintain and use one (1) Sign(s) projecting over the public right-of-way attached to its premises known as 332 N MICHIGAN AVE.

Said Sign structure(s) measures as follows along N Michigan Ave:

One (1) at six (6) feet in length, three point six seven (3.67) feet in height and ten (10) feet above grade level.

The location of said privilege shall be as shown on prints kept on file with the Department of Business Affairs and Consumer Protection and the Office of the City Clerk.

Said privilege shall be constructed in accordance with plans and specifications approved by the Zoning Department - Signs.

This grant of privilege in the public way shall be subject to the provisions of Section 10-28-015 and all other required provisions of the Municipal Code of Chicago.

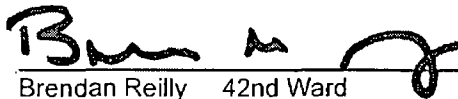
The grantee shall pay to the City of Chicago as compensation for the privilege #BACP1581064 herein granted the sum of one hundred (\$100.00) per annum in advance.

A 25% penalty will be added for payments received after due date.

The permit holder agrees to hold the City of Chicago harmless for any damage, relocation or replacement costs associated with damage, relocation or removal of private property caused by the City performing work in the public way.

Authority herein given and granted for a period of five (5) years from and after 06/22/2021.

Alderman:

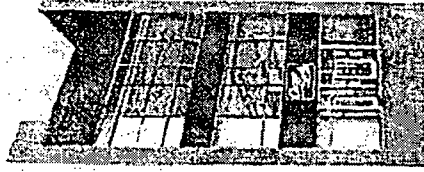
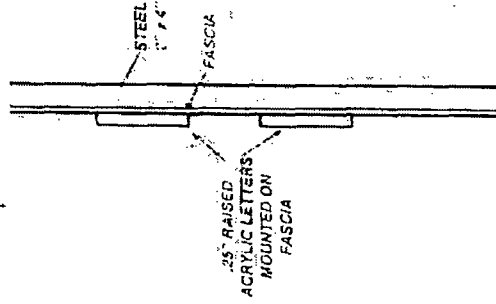
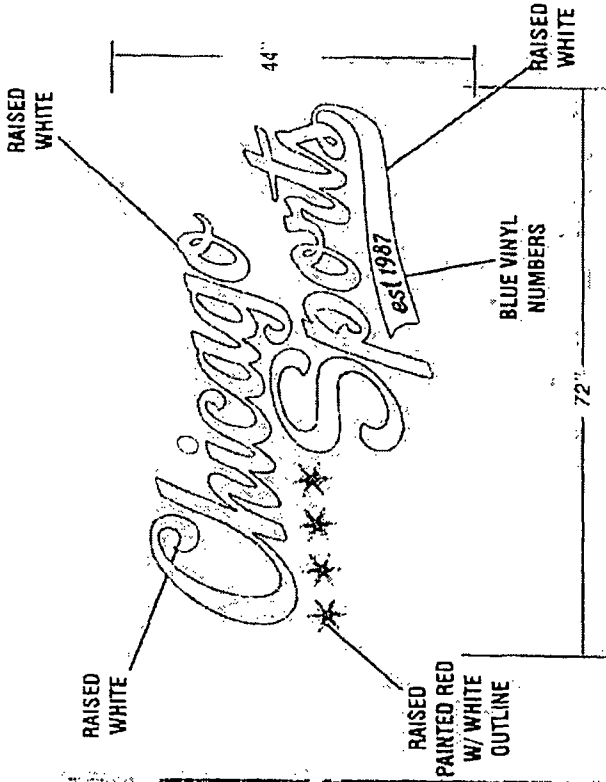
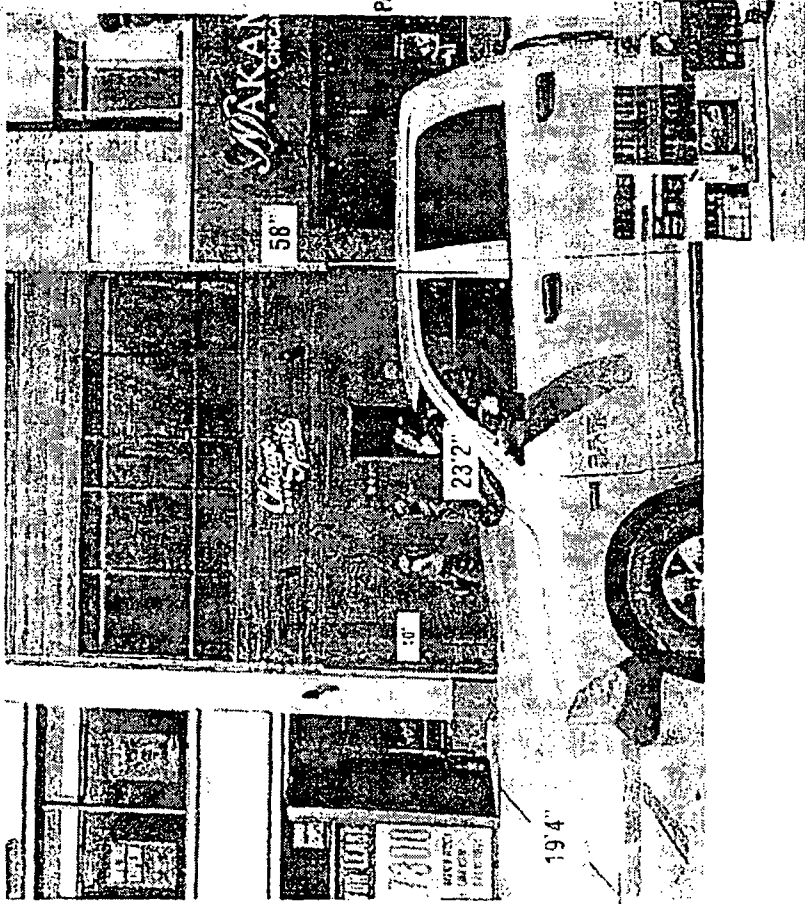

Brendan Reilly 42nd Ward

CHICAGO SPORTS NOVELTIES - 332 N MICHIGAN AVE

TYPE 1.00 - EXTERIOR SIGN NON-ILLUMINATED

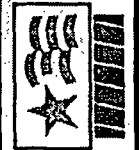
(1) 25" RAISED ACRYLIC COPY & BORDER MOUNTED DIRECTLY ON FASCIA (NO BACKER PANEL)

11-19-21 - DAY RENDER REV 6



NOTE: THIS IS AN ORIGINAL UNPUBLISHED DRAWING. CREATED BY
 ASS. INC. IT IS SUBMITTED FOR YOUR PERSONAL USE IN CONNECTION
 WITH A PROJECT BEING PLANNED FOR YOU BY ASS. INC. IT IS NOT TO
 BE SHOWN TO ANYONE OUTSIDE YOUR ORGANIZATION, NOR IS IT TO BE
 REPRODUCED, COPIED, OR EXHIBITED IN ANY FASHION.

DATE _____
 SCALE _____
 DRAWN BY _____
 SALESMAN _____



All-American Sign Co., Inc.
 Design - Fabrication - Installation - Maintenance
 5501 W. 108th Street Oak Lawn, IL 60453
 708/498-3000 Fax: 708/498-3943
www.allamericansign.com

SKETCH NO. 708-498-3000
 ACCOUNT _____
 ADDRESS _____
 CITY, STATE _____



Department of Business Affairs and Consumer Protection
Small Business Center - Public Way Use Unit
City Hall - 121 N. LaSalle Street, Room 800, Chicago, IL 60602
312-74-GOBIZ / 312-744-6249 • (312) 744-1944 (TTY)
<http://www.cityofchicago.org/bacp>

12/15/2021

Alderman Brendan Reilly
Ward # 42
City of Chicago
City Hall, Room 800
121 N. LaSalle Street
Chicago, IL 60602

Re: An ordinance to use and maintain a portion of the public right-of-way for **1 Sign(s)** for **CHICAGO SPORTS NOVELTY**, adjacent to the premises known as **332 N MICHIGAN AVE.**

Dear Alderman **Brendan Reilly**:

The applicant referenced above has requested the use of the public right-of-way for **Sign(s)**. An ordinance has been prepared by the Department of Business Affairs and Consumer Protection - Small Business Center - Public Way Use Unit for presentation to the City Council. Because this request was made for properties located in your ward, as approved by you as per the attached, I respectfully request that you introduce the attached ordinance at the next City Council meeting.

If you have any questions regarding this ordinance, please contact Jaime Viramontes at (312) 744-8068.

Department of Business Affairs and Consumer Protection