



City of Chicago



Or2013-315

Office of the City Clerk

Document Tracking Sheet

Meeting Date:	6/5/2013
Sponsor(s):	Fioretti, Bob (2)
Type:	Order
Title:	Issuance of permits for sign(s)/signboard(s) at 605 W Roosevelt Rd - east elevation
Committee(s) Assignment:	Committee on Zoning, Landmarks and Building Standards

ORDERED, That the Commissioner of the Building Department is hereby directed to issue a sign permit to: (Contractor's name and address)

Signco Inc
1327 31st Ave
Melrose Pk IL 60160

For the erection of a sign / signboard over twenty-four (24) feet in height and / or over one hundred (100) square feet (in area of one face) at:

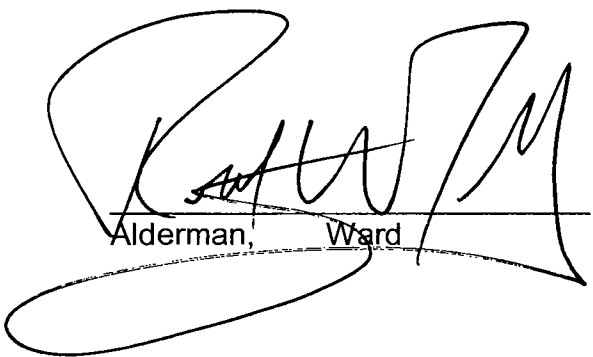
On-Premise / Business ID signs: indicate Business Name and Address
Off-Premise / Advertising signs: must indicate that it is for Advertising

Sleepy's
605 W Roosevelt Rd
Chicago IL 60160

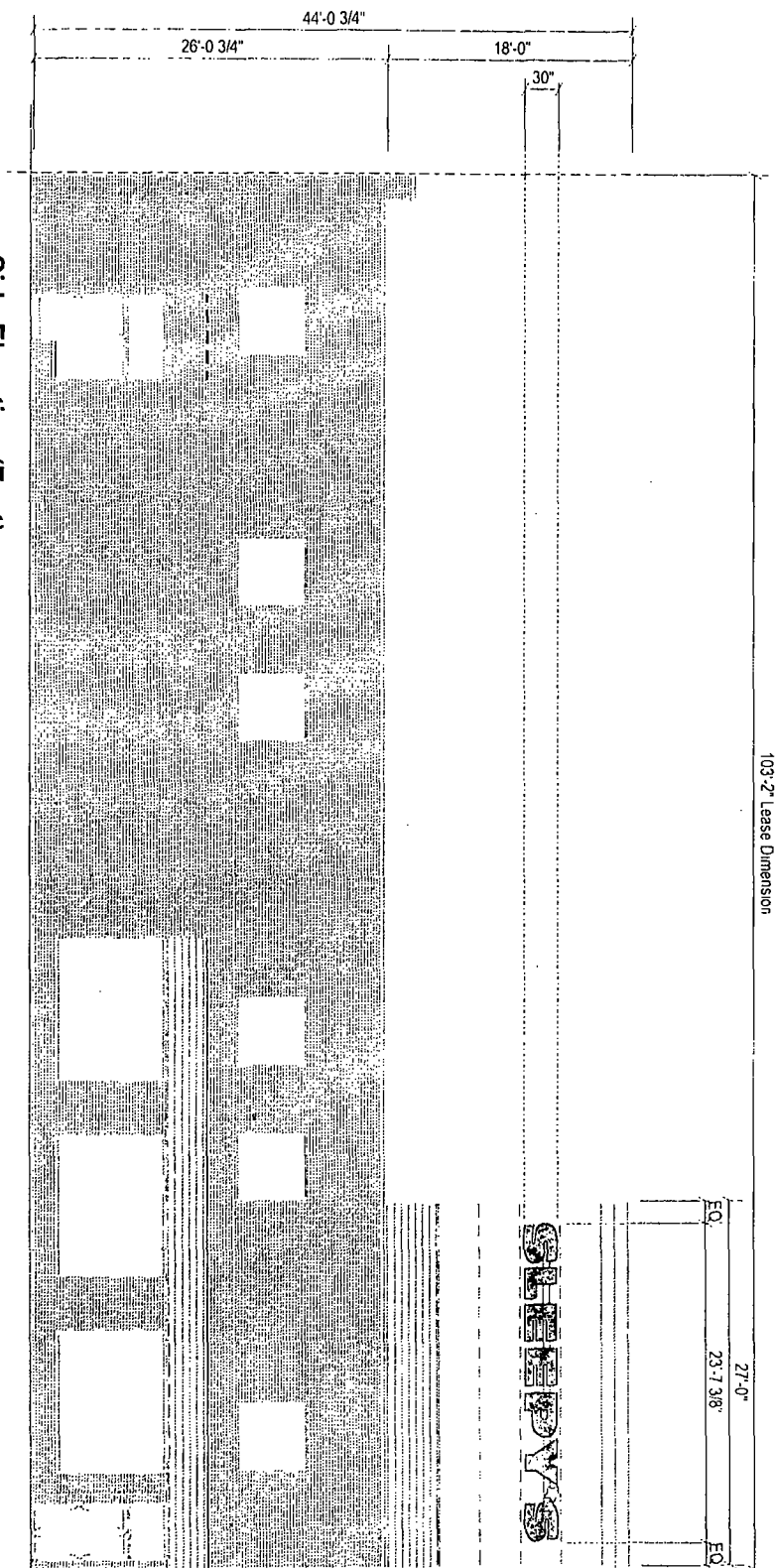
Dimensions: 23'-7" x 30"

Height above grade: 40'

Such signs shall comply with all provisions of Title 17 of the Chicago Zoning Ordinance and all other applicable provisions of the Municipal Code of the City of Chicago governing the construction and maintenance of outdoor signs, sign boards, and structures.


Alderman, Ward

SIGN C	30" Sleepy's
Type:	Individual Channel Letters on a Raceway
Illumination:	Internally Illuminated LED
Square Footage:	59.04
To Grade:	Top of sign to grade = 38'-7 3/4" Bottom of sign to grade = 36'-1 3/4"



Side Elevation (East)

Scale: 3/32" = 1'-0"

Client: Sleepy's
 Site #: SYA17223
 Address: 605 West Roosevelt Road
 Chicago, IL 60607
 ARC

REVISION INFO	
03/08/2013	Original Rendering
03/14/2013	Revised Rear Sign to 24' CL. Updated Allowable SF
03/21/2013	Revised All Signs
04/01/2013	Revised Sign A-2 Options
04/08/2013	Revised All Signs (Except Sign E). Added Window Void
04/09/2013	Added Rear Sign E
04/10/2013	Updated Sign A, Option 1 from Capriatum Color

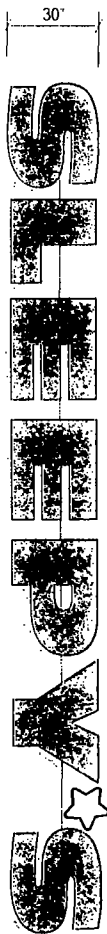
BC
 SD
 SD
 SD
 SD
 SD
 SD

Allowable Square Footage this Elevation: 245.00
 Actual Square Footage this Elevation: 59.04
 Formula: 245.00 shared

103'-2" Lease Dimension

SIGN C	30" Sleepy's
Type:	Individual Channel Letters on a Raceway
Illumination:	Internally Illuminated LED
Square Footage:	59.04
To Grade:	Top of sign to grade = 38'-7 3/4" Bottom of sign to grade = 36'-1 3/4"

SIGN D	30" Sleepy's
Type:	Individual Channel Letters on a Raceway
Illumination:	Internally Illuminated LED
Square Footage:	59.04
To Grade:	Top of sign to grade = 38'-7 3/4" Bottom of sign to grade = 36'-1 3/4"



Sign Layout Detail
Scale: 1/4" = 1'-0"

Landlord reserves the right to adjust the depth of specification #110 to match the other tenants in the Building

Electrical Detail: Channel Letters

- White Sloan Value Line Plus
- (2) 60w Transformer
- Total Amps: 1.70
- (1) 20 amp 120V Circuit Req.



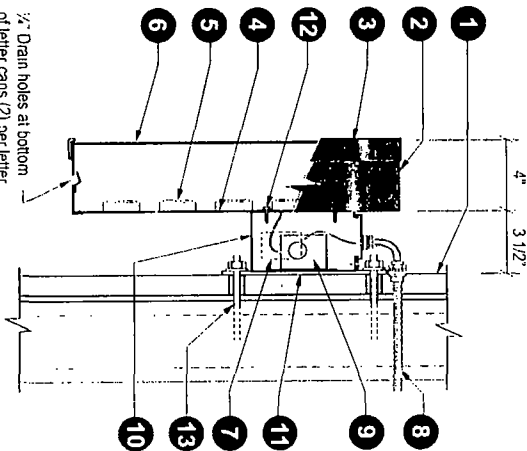
General Notes:

This sign is to be installed in accordance with the requirements of Article 600 of the National Electrical Code.

- 1) Grounded and bonded per NEC 600.7/NEC 250
 - 2) Existing branch circuit in compliance with NEC 600.5, not to exceed 20 amps
 - 3) Sign is to be UL listed per NEC 600.3
 - 4) UL disconnect switch per NEC 600.6- required per sign component before leaving manufacturer*
- *For multiple signs, a disconnect is permitted but not required for each section

Specifications: LED Channel Letters / "Star"

1. Existing Facade: TBD
2. 0.040" Aluminum letter returns painted to match Black
3. 0.125" x 1" Black Jewelle trimcap
4. 3mm Signabond Lite composite backs (interior of sign can painted ultra white for maximum illumination)
5. LEDs - Letters- Sloan Value Line Plus Long White LED modules
Stars- Sloan Value Line Plus Short White LEDs
6. Faces - Letters- 3/16" 2447 White LD acrylic
Stars- 3/16" 2447 White LD acrylic
Golden Yellow vinyl with 3M#7125-22 Matte Black vinyl outline
7. Waterproof disconnect switch per NEC 600-6
8. Primary electrical feed
9. Transformers
10. 0.080" Raceway (5 1/2" tall x 3 1/2" deep fabricated aluminum). Painted to match facade
11. 9" x 2" x 0.1875" Aluminum mounting tabs welded to raceway
- Maximum 6" from each end and every 48" o.c.
12. #12 x 1" TEC screws with 11/4" fender washers
13. Mounting hardware to suit



Section @ LED Channel Letter Raceway (Upper)
Scale: N.T.S.

SLEEPY'S THE MOTORS PROFESSIONALS	Client: Sleepy's
	Site #: SY-A17223
	Address: 605 West Roosevelt Road
	Chicago, IL 60607

REVISION INFO	
03/06/2013	Original Rendering
03/14/2013	Revised Rear Sign to 24" CL Updated Allowable SF
03/27/2013	Revised All Signs
04/01/2013	Revised Sign A-2 Options
04/08/2013	Revised All Signs (Except Sign E), Added Window Vinyl
04/09/2013	Added Raceway to Sign E
04/10/2013	Updated Sign A Option 1 from Cap/Rearum Color

REV	DATE	DESCRIPTION	BY
03	06/2013	Original Rendering	BC
03	14/2013	Revised Rear Sign to 24" CL Updated Allowable SF	SD
03	27/2013	Revised All Signs	SD
04	01/2013	Revised Sign A-2 Options	SD
04	08/2013	Revised All Signs (Except Sign E), Added Window Vinyl	SD
04	09/2013	Added Raceway to Sign E	SD
04	10/2013	Updated Sign A Option 1 from Cap/Rearum Color	SD

From the manufacturer's literature, the maximum height of a sign is 10 feet for the maximum size of letter. The sign height is 30 inches, which is within the manufacturer's limits. The sign is made of aluminum and is painted to match the facade. The sign is made of aluminum and is painted to match the facade. The sign is made of aluminum and is painted to match the facade.

AnchorSign
1.800.213.9391