



City of Chicago



O2017-5239

Office of the City Clerk

Document Tracking Sheet

Meeting Date:	6/28/2017
Sponsor(s):	Reilly (42)
Type:	Ordinance
Title:	Grant(s) of privilege in public way for Petterino's
Committee(s) Assignment:	Committee on Transportation and Public Way

ORDINANCE
PETTERINO'S
Acct. No. 205657 - 2
Permit No. 1128535

Be It Ordained by the City Council of the City of Chicago:

SECTION 1. Permission and authority are hereby given and granted to PETTERINO'S, upon the terms and subject to the conditions of this ordinance to maintain and use, as now constructed, one (1) Wind Screen(s) on the public right-of-way adjacent to its premises known as 50 W. Randolph St..

Said Wind Screen(s) at W. Randolph measure(s):

One (1) at eleven point five (11.5) feet in length, and four point five eight (4.58) feet in width for a total of fifty-two point six seven (52.67) square feet.

The location of said privilege shall be as shown on prints kept on file with the Department of Business Affairs and Consumer Protection and the Office of the City Clerk.

Said privilege shall be constructed in accordance with plans and specifications approved by the Department of Transportation (Division of Project Development).

This grant of privilege in the public way shall be subject to the provisions of Section 10-28-015 and all other required provisions of the Municipal Code of Chicago.

The grantee shall pay to the City of Chicago as compensation for the privilege #1128535 herein granted the sum of four hundred (\$400.00) per annum in advance.

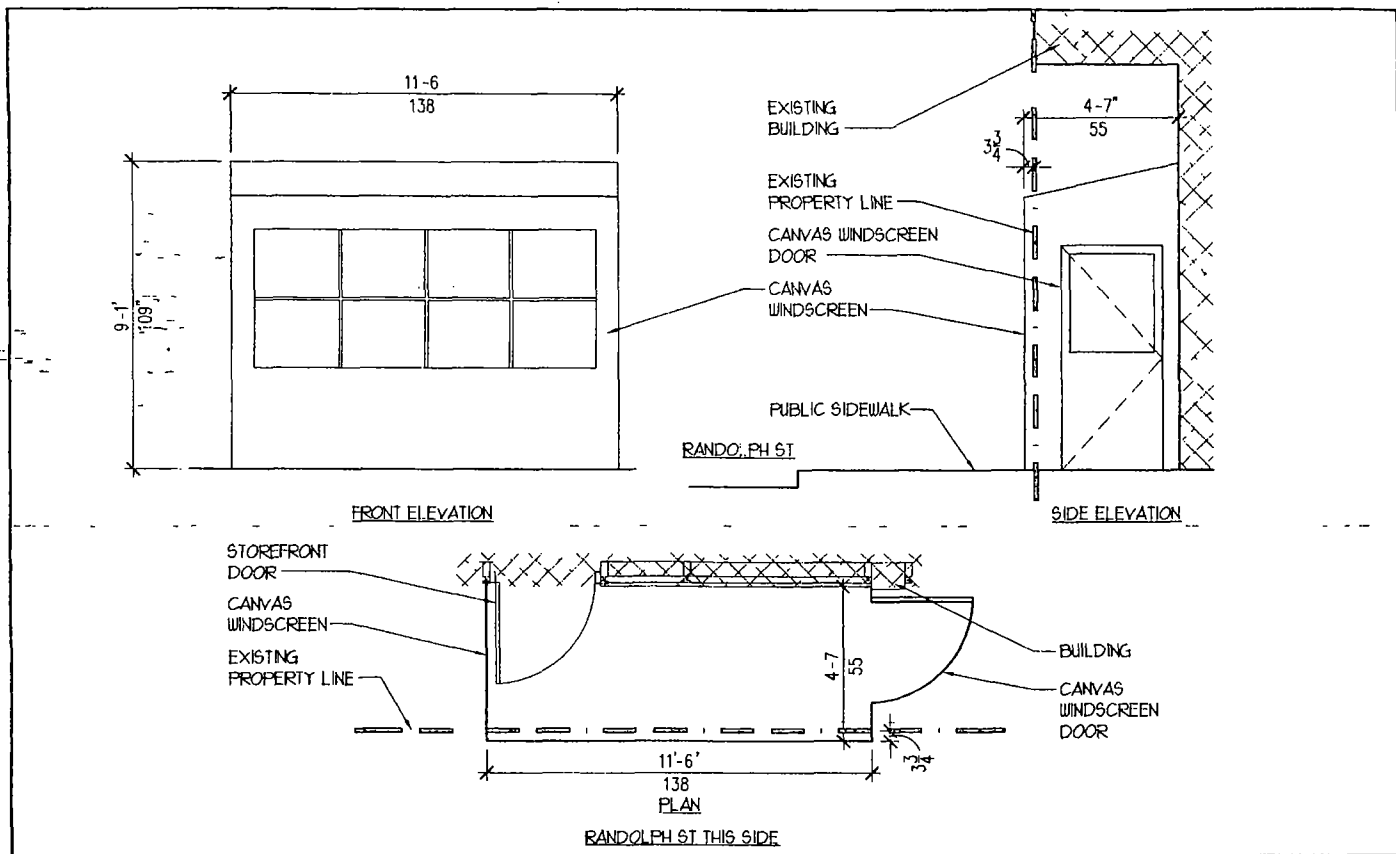
A 25% penalty will be added for payments received after due date.

The permit holder agrees to hold the City of Chicago harmless for any damage, relocation or replacement costs associated with damage, relocation or removal of private property caused by the City performing work in the public way.

Authority herein given and granted for a period of five (5) years from and after 06/27/2017.

Alderman B. Reilly
Brendan Reilly 42nd Ward





Aria Group Architects Inc
 830 North Blvd
 Oak Park, Illinois 60301
 708 445 8400
 708 445 1788 Fax

DESCRIPTION:
 Petterino's
 Windscreen Canvas
 50 W Randolph

JOB NAME: *Petterino's - 50 W Randolph*

DRAWN BY: lrb	CHKD BY: mc
SCALE: 1/4" = 1'-0"	
DATE: 03/23/12	
JOB NUMBER: 122260	SHEET: A-1