



City of Chicago



O2013-4636

Office of the City Clerk

Document Tracking Sheet

Meeting Date:	6/5/2013
Sponsor(s):	Suarez, Regner Ray (31)
Type:	Ordinance
Title:	Awning(s) for Somethin' Sweet
Committee(s) Assignment:	Committee on Transportation and Public Way

ORDINANCE
SOMETHIN' SWEET
Acct. No. 292043 - 3
Permit No. 1104037

Be It Ordained by the City Council of the City of Chicago:

SECTION 1. Permission and authority are hereby given and granted to SOMETHIN' SWEET, upon the terms and subject to the conditions of this ordinance to construct, install, maintain and use one (1) Awning(s) projecting over the public right-of-way adjacent to its premises known as 5112 W. Fullerton Ave..

Said Awning(s) at W Fullerton Ave measure(s):

One (1) at seventeen (17) feet in length, and two (2) feet in width for a total of thirty-four (34) square feet.

The location of said privilege shall be as shown on prints kept on file with the Department of Business Affairs and Consumer Protection and the Office of the City Clerk.

Said privilege shall be constructed in accordance with plans and specifications approved by the Zoning Department - Signs.

This grant of privilege in the public way shall be subject to the provisions of Section 10-28-015 and all other required provisions of the Municipal Code of Chicago.

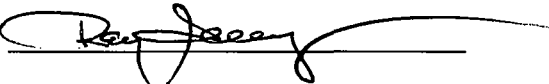
The grantee shall pay to the City of Chicago as compensation for the privilege #1104037 herein granted the sum of fifty (\$50.00) per annum in advance.

A 25% penalty will be added for payments received after due date.

The permit holder agrees to hold the City of Chicago harmless for any damage, relocation or replacement costs associated with damage, relocation or removal of private property caused by the City performing work in the public way.

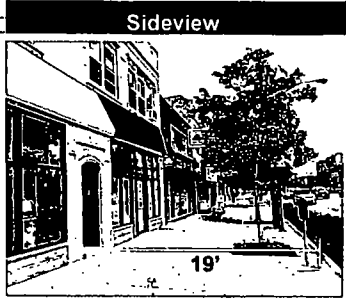
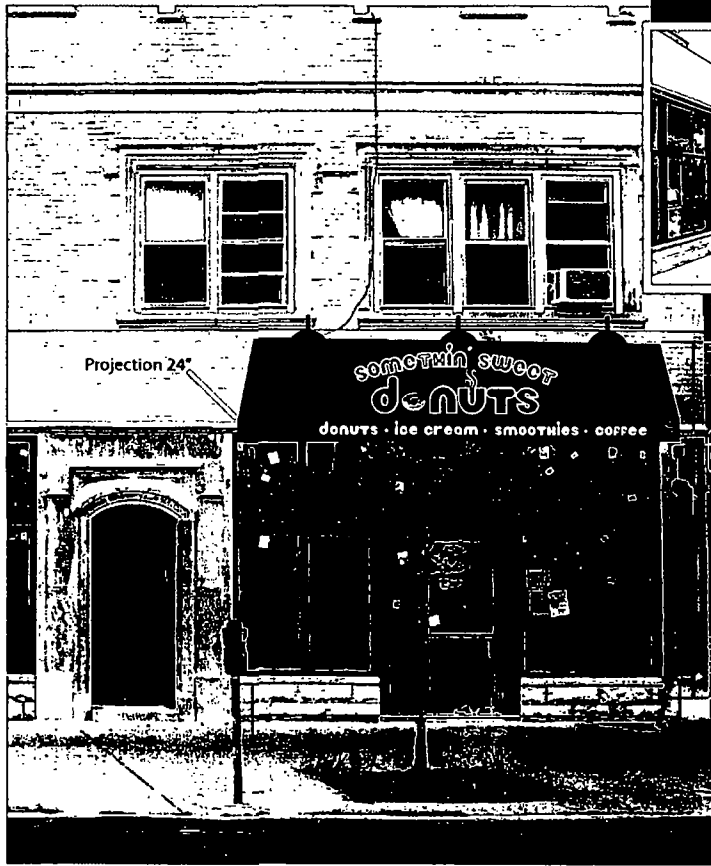
Authority herein given and granted for a period of five (5) years from and after Date of Passage.

Alderman



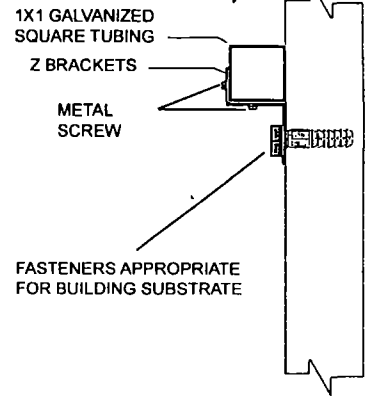
Ray Suarez 31st Ward

Awning



36"
10'

METHOD OF ATTACHMENT



SIGNATURE

LANDLORD

Phone

TENANT

DATE

Site Address	5112 W. Fullerton Ave. IL 60639	
Sign Type	Awning	
Physical Information	Lettering Color	Fabric Color
	orange, pink, white, light brown	brown

Client: Somethin' Sweet		Drawing #:
Approved:	Sales:	Date: 11-6-12
Scale:	Drawn by:	Rev Date:

All sign designs and concepts shown here are confidential and are the property of MONSIBIC. They are not to be distributed, exhibited, copied, or otherwise used without our written permission.

COMPUTER GENERATED COLORS ARE NOT A TRUE MATCH TO ANY PMS, VINYL, OR PAINT

 3401 S. Halsted St., Chicago, IL 60608



06/05/2013

Alderman Ray Suarez
Ward # 31
City of Chicago
City Hall, Room 203
121 North LaSalle Street
Chicago, Illinois 60602

Re: An ordinance to use and maintain a portion of the public right-of-way for **one (1) awning(s)** for **SOMETHIN' SWEET**, adjacent to the premises known as **5112 W. Fullerton Ave.**

Dear Alderman **Ray Suarez**:

The applicant referenced above has requested the use of the public right-of-way for a **awning(s)**. An ordinance has been prepared by the Department of Business Affairs and Consumer Protection – Business Assistance Center - Public Way Use Unit for presentation to the City Council. Because this request was made for properties located in your ward, as approved by you as per the attached, I respectfully request that you introduce the attached ordinance at the next City Council meeting.

If you have any questions regarding this ordinance, please contact Anthony Bertuca at (312) 744-5506.

Department of Business Affairs and Consumer Protection