



City of Chicago



O2016-2905

Office of the City Clerk

Document Tracking Sheet

Meeting Date:	4/13/2016
Sponsor(s):	Pawar (47)
Type:	Ordinance
Title:	Awning(s) for Leland Associates LLC
Committee(s) Assignment:	Committee on Transportation and Public Way

ORDINANCE
LELAND ASSOCIATES, LLC
Acct. No. 355831 - 1
Permit No. 1122524

Be It Ordained by the City Council of the City of Chicago:

SECTION 1. Permission and authority are hereby given and granted to LELAND ASSOCIATES, LLC, upon the terms and subject to the conditions of this ordinance to maintain and use, as now constructed, one (1) Awning(s) projecting over the public right-of-way adjacent to its premises known as 4701 N. Ravenswood Ave..

Said Awning(s) at N RAVENSWOOD AVE measure(s):

One (1) at seven point four two (7.42) feet in length, and three (3) feet in width for a total of twenty-two point two six (22.26) square feet.

The location of said privilege shall be as shown on prints kept on file with the Department of Business Affairs and Consumer Protection and the Office of the City Clerk.

Said privilege shall be constructed in accordance with plans and specifications approved by the Zoning Department - Signs.


This grant of privilege in the public way shall be subject to the provisions of Section 10-28-015 and all other required provisions of the Municipal Code of Chicago.

The grantee shall pay to the City of Chicago as compensation for the privilege #1122524 herein granted the sum of fifty (\$50.00) per annum in advance.

A 25% penalty will be added for payments received after due date.

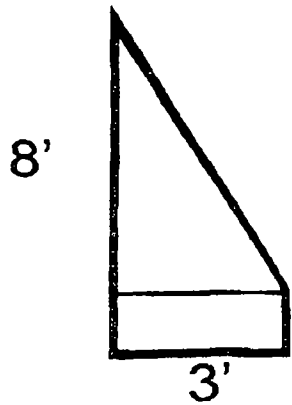
The permit holder agrees to hold the City of Chicago harmless for any damage, relocation or replacement costs associated with damage, relocation or removal of private property caused by the City performing work in the public way.

Authority herein given and granted for a period of five (5) years from and after 03/09/2016.

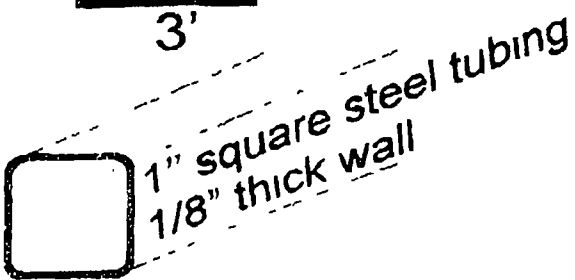
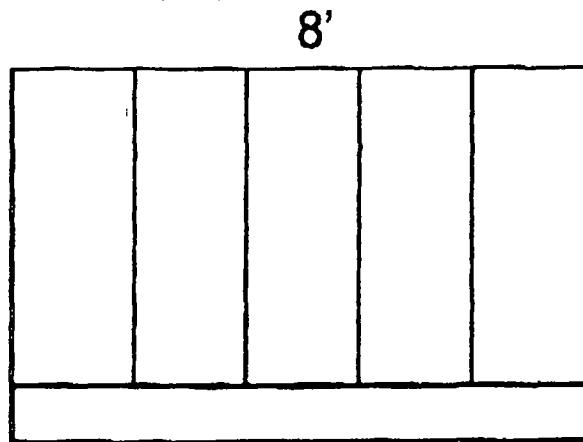
Alderman 
Ameya Pawar 47th Ward

4701 n Ravenswood ave 60640

side view

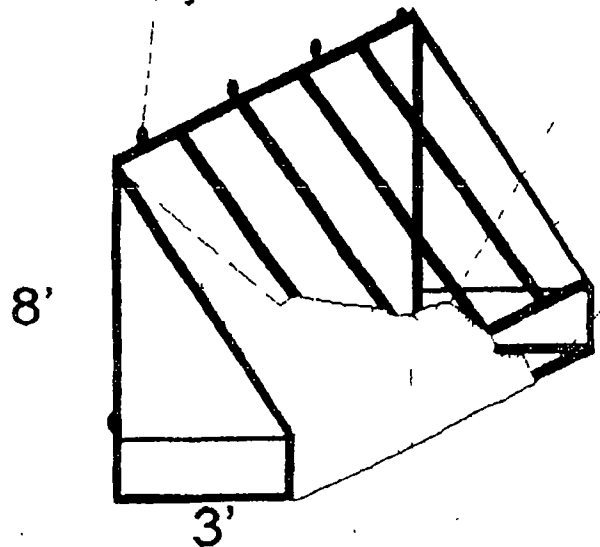


front view

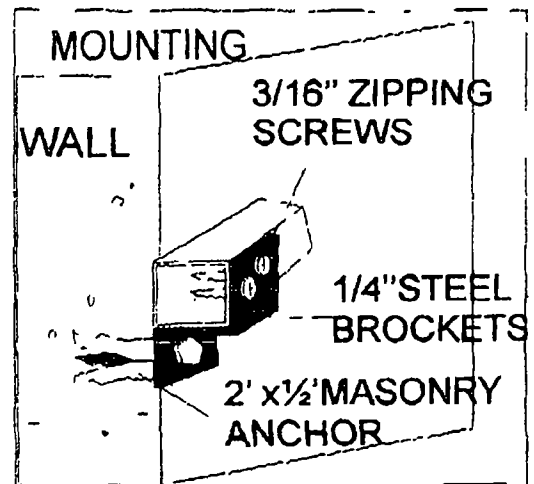


sumbrela fabric
cut & sewn to cover the frame

2" masonry anchors
every 2'



all steel tubing frame



10/07/2010



04/13/2016

Alderman Ameya Pawar
Ward # 47
City of Chicago
City Hall, Room 200
121 North LaSalle Street
Chicago, Illinois 60602

Re: An ordinance to use and maintain a portion of the public right-of-way for **one (1) awning(s)** for
LELAND ASSOCIATES, LLC, adjacent to the premises known as **4701 N. Ravenswood Ave.**.

Dear Alderman Ameya Pawar:

The applicant referenced above has requested the use of the public right-of-way for a **awning(s)**. An ordinance has been prepared by the Department of Business Affairs and Consumer Protection – Small Business Center - Public Way Use Unit for presentation to the City Council. Because this request was made for properties located in your ward, as approved by you as per the attached, I respectfully request that you introduce the attached ordinance at the next City Council meeting.

If you have any questions regarding this ordinance, please contact Anthony Bertuca at (312) 744-5506.

Department of Business Affairs and Consumer Protection