



City of Chicago



O2018-9139

Office of the City Clerk

Document Tracking Sheet

Meeting Date:	11/14/2018
Sponsor(s):	Burnett (27)
Type:	Ordinance
Title:	Grant(s) of privilege in public way for Performance Training Systems Chicago
Committee(s) Assignment:	Committee on Transportation and Public Way

ORDINANCE
PERFORMANCE TRAINING SYSTEMS CHICAGO
Acct. No 426446 - 1
Permit No. 1136188

Be It Ordained by the City Council of the City of Chicago:

SECTION 1. Permission and authority are hereby given and granted to PERFORMANCE TRAINING SYSTEMS CHICAGO, upon the terms and subject to the conditions of this ordinance to maintain and use, as now constructed, three (3) Bollard(s) on the public right-of-way adjacent to its premises known as 1513-1517 W. Hubbard St..

Said Bollard(s) at W. Hubbard measure(s):

Three (3) at point six seven (.67) feet in length, and point six seven (.67) feet in width for a total of one point three five (1.35) square feet.

The location of said privilege shall be as shown on prints kept on file with the Department of Business Affairs and Consumer Protection and the Office of the City Clerk.

Said privilege shall be constructed in accordance with plans and specifications approved by the Department of Planning and Development and Department of Transportation (Division of Project Development).

This grant of privilege in the public way shall be subject to the provisions of Section 10-28-015 and all other required provisions of the Municipal Code of Chicago.

The grantee shall pay to the City of Chicago as compensation for the privilege #1136188 herein granted the sum of two hundred twenty-five (\$225.00) per annum in advance.

A 25% penalty will be added for payments received after due date.

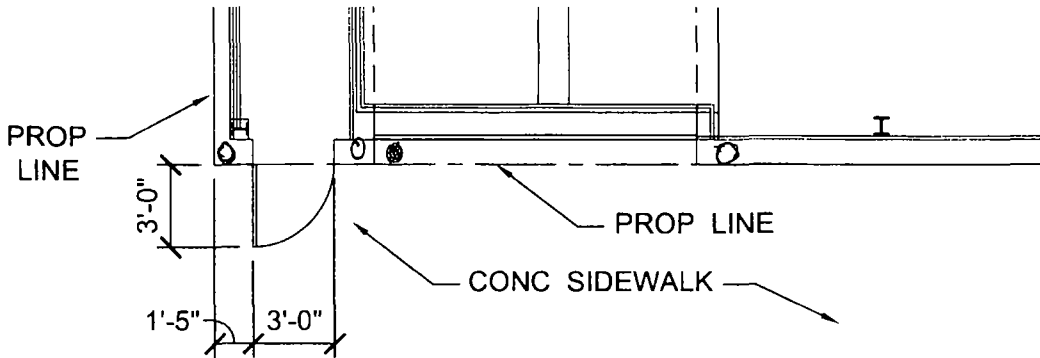
The permit holder agrees to hold the City of Chicago harmless for any damage, relocation or replacement costs associated with damage, relocation or removal of private property caused by the City performing work in the public way.

Authority herein given and granted for a period of five (5) years from and after Date of Passage.

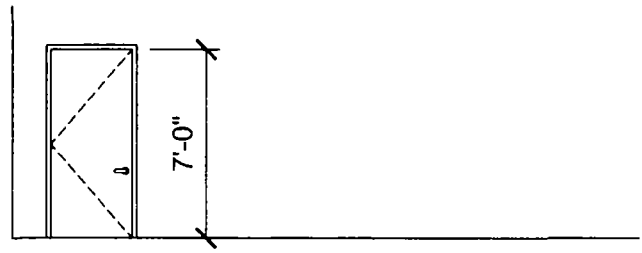
Alderman



Walter Burnett Jr. 27th Ward



PLAN
SCALE: NO SCALE



NORTH ELEVATION
SCALE: NO SCALE

