



Office of the Chicago City
Clerk



O2012-4699

Office of the City Clerk

City Council Document Tracking Sheet

Meeting Date:	6/27/2012
Sponsor(s):	Pawar, Ameya (47)
Type:	Ordinance
Title:	Awning(s) for Pecking Order
Committee(s) Assignment:	Committee on Transportation and Public Way

ORDINANCE
PECKING ORDER
Acct. No. 63363 - 1
Permit No. 1101325

Be It Ordained by the City Council of the City of Chicago:

SECTION 1. Permission and authority are hereby given and granted to PECKING ORDER, upon the terms and subject to the conditions of this ordinance to construct, install, maintain and use one (1) Awning(s) projecting over the public right-of-way adjacent to its premises known as 4416 N. Clark St..

Said Awning(s) at N. Clark measure(s):

One (1) at twenty-four (24) feet in length, and two (2) feet in width for a total of forty-eight (48) square feet.

The location of said privilege shall be as shown on prints kept on file with the Department of Business Affairs and Consumer Protection and the Office of the City Clerk.

Said privilege shall be constructed in accordance with plans and specifications approved by the Zoning Department - Signs.

This grant of privilege in the public way shall be subject to the provisions of Section 10-28-015 and all other required provisions of the Municipal Code of Chicago.

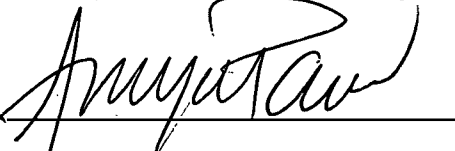
The grantee shall pay to the City of Chicago as compensation for the privilege #1101325 herein granted the sum of fifty (\$50.00) per annum in advance.

A 25% penalty will be added for payments received after due date.

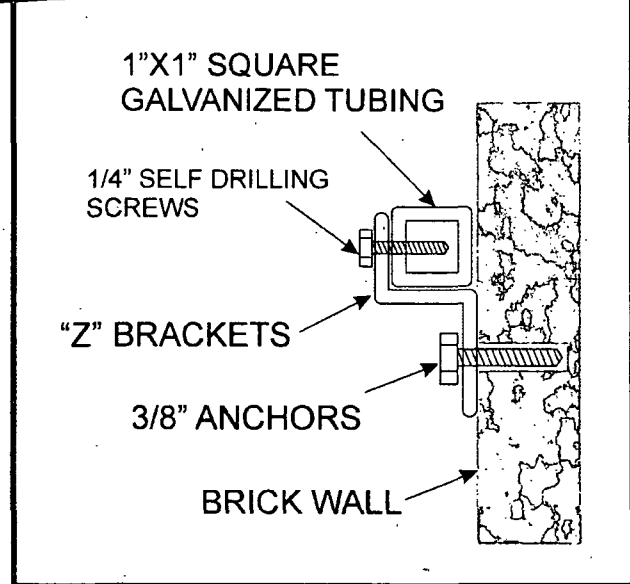
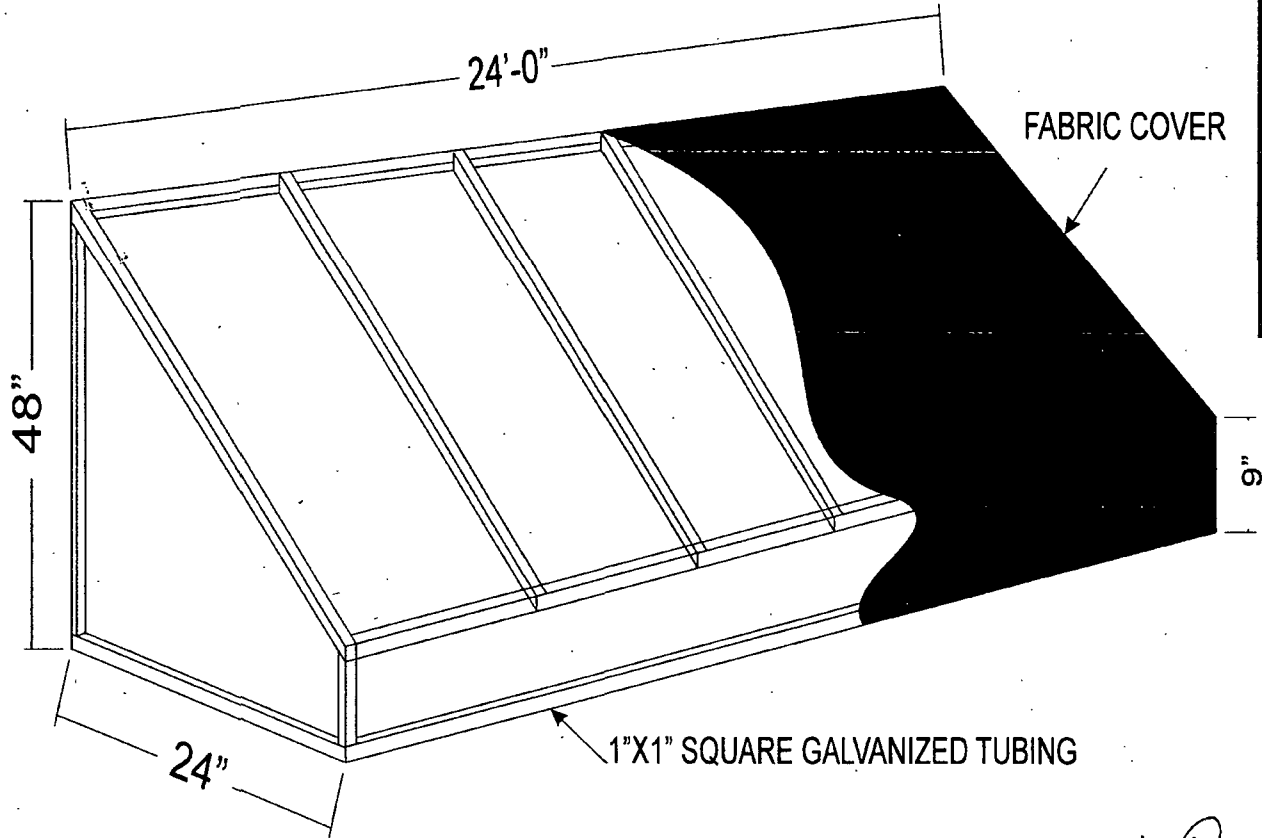
The permit holder agrees to hold the City of Chicago harmless for any damage, relocation or replacement costs associated with damage, relocation or removal of private property caused by the City performing work in the public way.

Authority herein given and granted for a period of five (5) years from and after Date of Passage.

Alderman


Ameya Pawar 47th Ward

tfasigns



Store Name:
Pecking Order

Location:
4416 N. Clark St.

Client Name:

Phone: 773-907-9900

Landlord:

Address:

[Signature] _____ Date *5/1/12*

Client Approval (signature)

_____ Date

Landlord Approval (signature)

Sales Rep:
SEAN PARK

Designer:
SEAN PARK

MEMBER
INTERNATIONAL
FRANCHISE ASSOCIATION

LISTED



06/27/2012

Alderman Ameya Pawar
Ward # 47
City of Chicago
City Hall, Room 300
121 North LaSalle Street
Chicago, Illinois 60602

Re: An ordinance to use and maintain a portion of the public right-of-way for **one (1) awning(s)** for **PECKING ORDER**, adjacent to the premises known as **4416 N. Clark St.**

Dear Alderman **Ameya Pawar**:

The applicant referenced above has requested the use of the public right-of-way for a **awning(s)**. An ordinance has been prepared by the Department of Business Affairs and Consumer Protection – Business Assistance Center - Public Way Use Unit for presentation to the City Council. Because this request was made for properties located in your ward, as approved by you as per the attached, I respectfully request that you introduce the attached ordinance at the next City Council meeting.

If you have any questions regarding this ordinance, please contact Anthony Bertuca at (312) 744-5506.

Department of Business Affairs and Consumer Protection