



Office of the Chicago City  
Clerk



Or2012-350

Office of the City Clerk

City Council Document Tracking Sheet

<b>Meeting Date:</b>	6/27/2012
<b>Sponsor(s):</b>	Balcer, James (11)
<b>Type:</b>	Order
<b>Title:</b>	Issuance of permits for sign(s)/signboard(s) at 3300 S Archer Ave
<b>Committee(s) Assignment:</b>	Committee on Zoning, Landmarks and Building Standards

CITY COUNCIL MEETING:  
Introduced June 27, 2012

**Ordered,** That the commissioner of buildings is hereby authorized and directed to issue

A sign permit to:                   **Awnings USA**  
  **2658 W. 59<sup>th</sup> St.**  
  **Chicago, IL 60629**

For the erection of a sign/signboard over 24 feet in height and /over 100 square feet

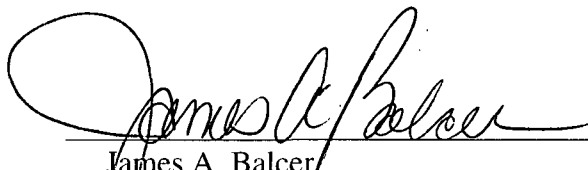
(in area of one face) at:       **Archer Plaza**  
  **3300 S. Archer Ave., Chicago IL 60608**

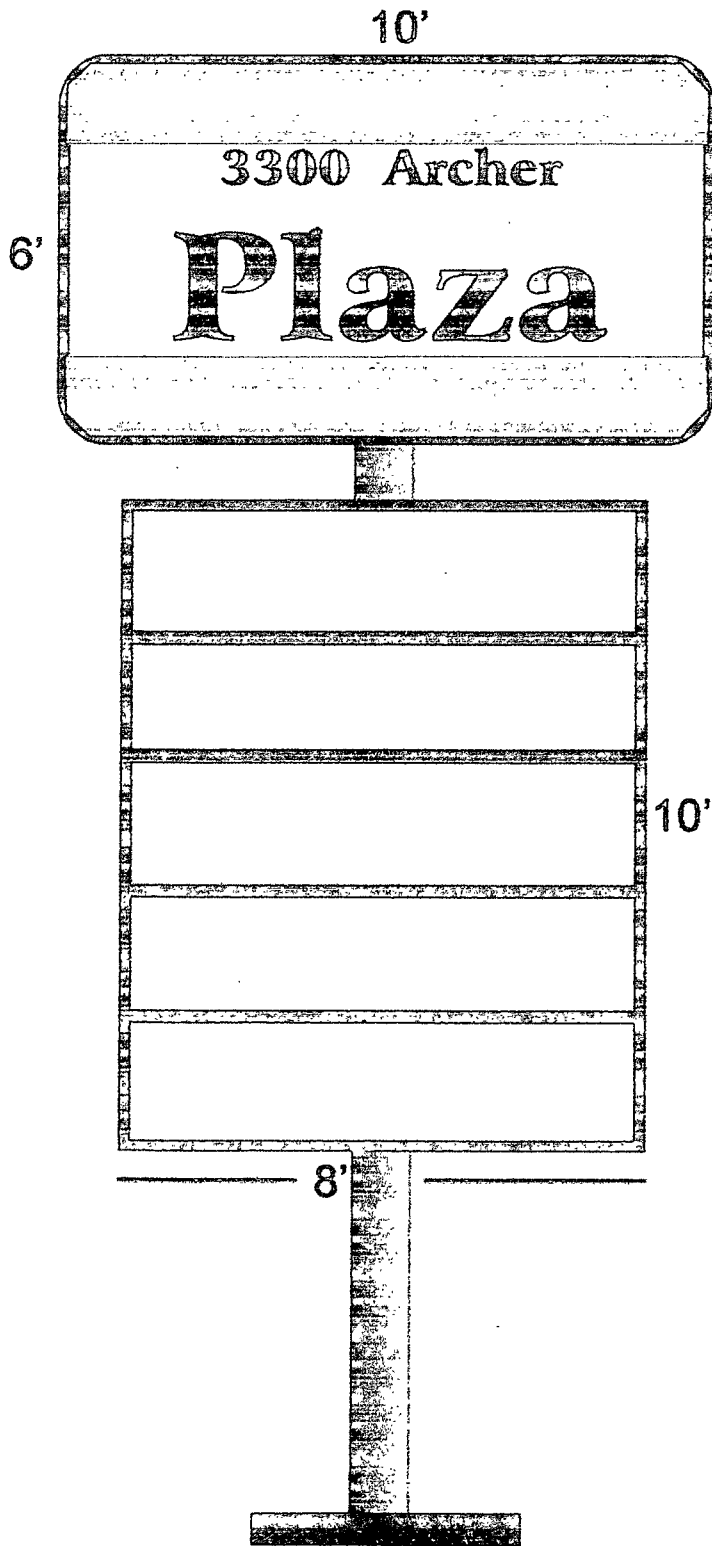
Dimensions: Length **10' 8'**   Height **16'0"**

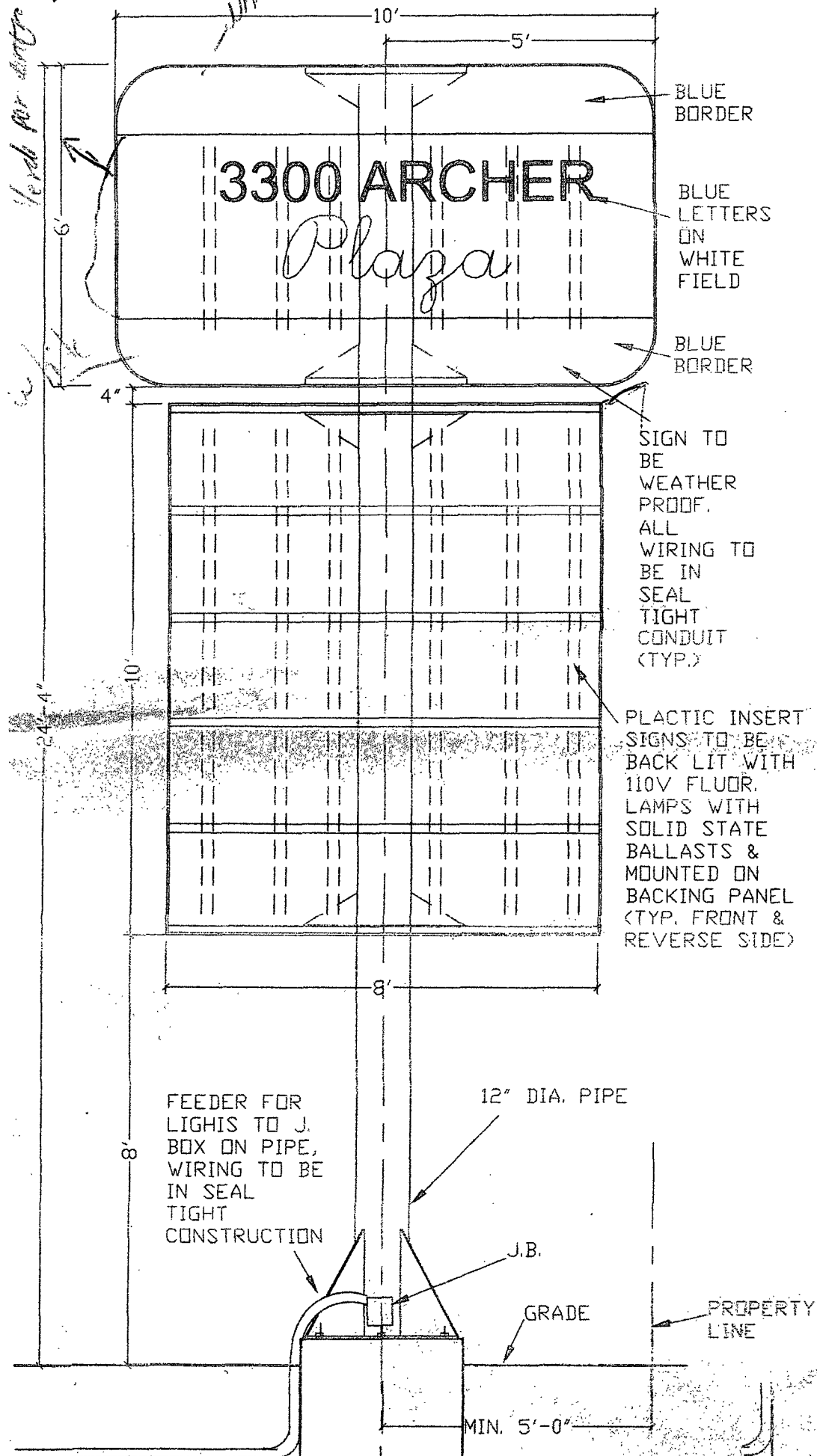
Height above grade/roof to top of sign **24'0**

TOTAL SQUARE FOOT AREA   **280'**

Such sign(s) shall comply with all applicable provisions of TITLE 17 of the Chicago Zoning Ordinance and all other applicable provisions of the Municipal Code of the City of Chicago governing the construction and maintenance of outdoor signs, signboards and structures.

  
James A. Balcer  
Alderman, 11<sup>th</sup> Ward





REV	DATE	DESCRIPTION
	11/11/11	ISSUED FOR PERMIT

DATE: 10/18/11  
 DRN. LNS  
 SCALE: AS NOTED  
 JOB NO. 11 ARCHER 3300

SITE PLAN  
 GROUND SIGN PLANS & DETAILS