



Office of the Chicago City
Clerk



O2012-3499

Office of the City Clerk

City Council Document Tracking Sheet

Meeting Date:	5/9/2012
Sponsor(s):	Beale, Anthony (9)
Type:	Ordinance
Title:	Grant(s) of privilege in public way for Chicago Family Health Center
Committee(s) Assignment:	Committee on Transportation and Public Way

ORDINANCE
CHICAGO FAMILY HEALTH CENTER
Acct. No. 86565 - 9
Permit No. 1100390

Be It Ordained by the City Council of the City of Chicago:

SECTION 1. Permission and authority are hereby given and granted to CHICAGO FAMILY HEALTH CENTER, upon the terms and subject to the conditions of this ordinance to construct, install, maintain and use eight (8) Sunscreen(s) projecting over the public right-of-way adjacent to its premises known as 570 E. 115th St..

Said Sunscreen(s) at E 115th St measure(s):

Eight (8) at three point eight three (3.83) feet in length, and one point five eight (1.58) foot in width for a total of forty-eight point four one (48.41) square feet. Said sunscreens shall be approximately twenty-one (21) feet above grade level.

The location of said privilege shall be as shown on prints kept on file with the Department of Business Affairs and Consumer Protection and the Office of the City Clerk.

Said privilege shall be constructed in accordance with plans and specifications approved by the Department of Transportation (Division of Project Development).

This grant of privilege in the public way shall be subject to the provisions of Section 10-28-015 and all other required provisions of the Municipal Code of Chicago.

The grantee shall pay to the City of Chicago as compensation for the privilege #1100390 herein granted the sum of four hundred (\$400.00) per annum in advance.

A 25% penalty will be added for payments received after due date.

The permit holder agrees to hold the City of Chicago harmless for any damage, relocation or replacement costs associated with damage, relocation or removal of private property caused by the City performing work in the public way.

Authority herein given and granted for a period of ^{Three} ~~five~~ (3) years from and after Date of Passage.

Alderman

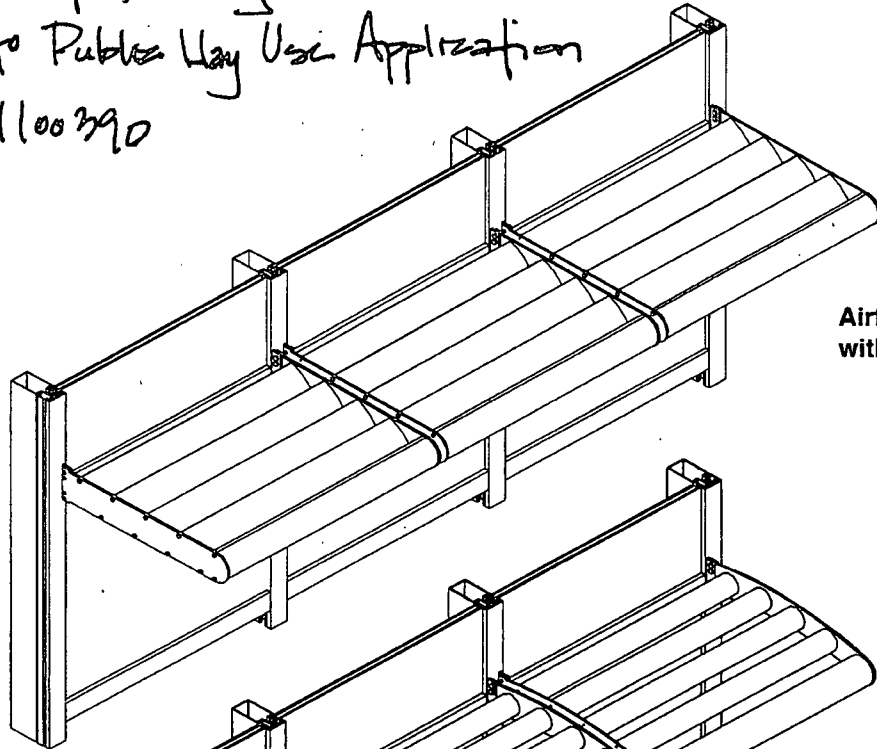


Anthony Beale 9th Ward

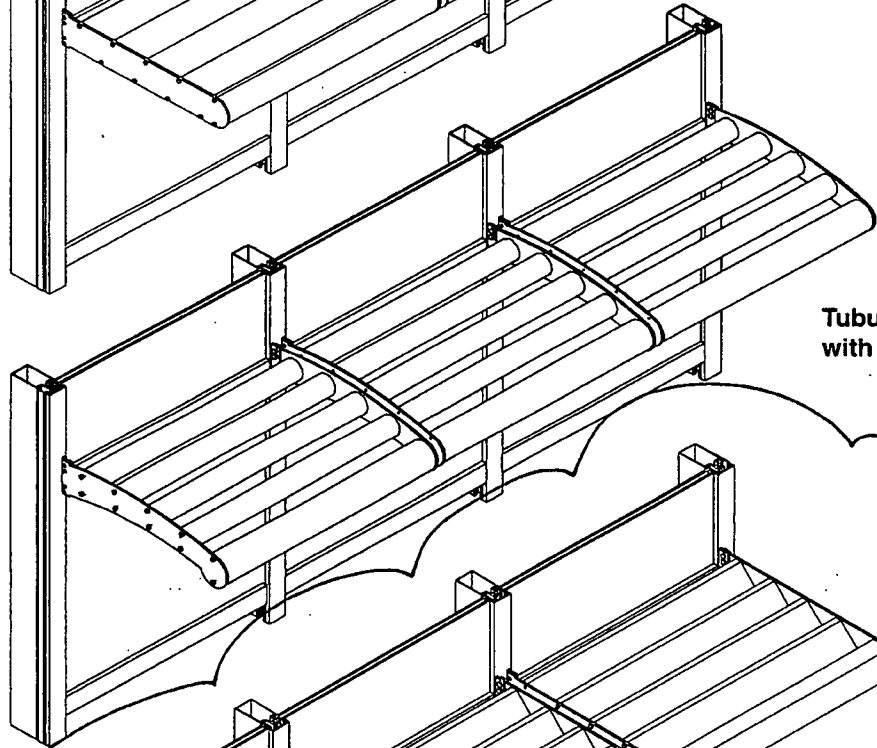
Chicago Family Health Center
Pullman Facility Replacement

21-1.03
Maxblock Sunshades by Tubelite
Isometric Views

570 E. 115th St., Chicago 60628
Attachment to Public Way Use Application
Permit No. 1100390

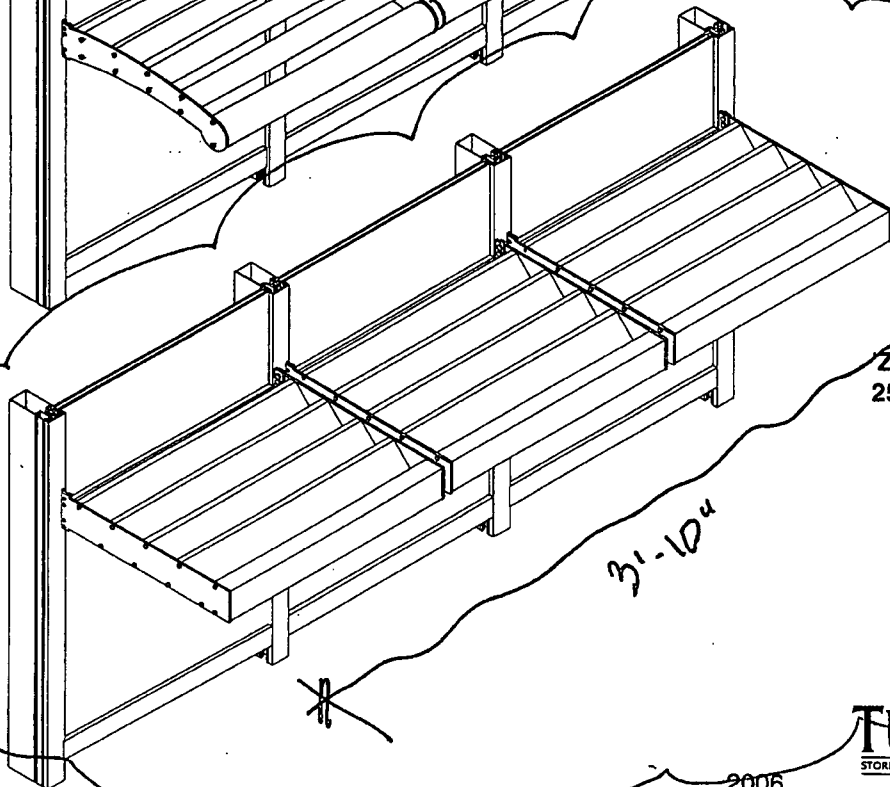


Airfoil Blade
with 25" Outrigger



Tubular Blade
with 25" Outrigger

Basis of
Design



Z' Blade with
25" Outrigger



2006

