



# City of Chicago



O2018-9174

Office of the City Clerk

## Document Tracking Sheet

<b>Meeting Date:</b>	11/14/2018
<b>Sponsor(s):</b>	Reilly (42)
<b>Type:</b>	Ordinance
<b>Title:</b>	Grant(s) of privilege in public way for 549 Randolph Venture LLC
<b>Committee(s) Assignment:</b>	Committee on Transportation and Public Way

ORDINANCE  
549 RANDOLPH VENTURE LLC  
Acct. No. 401868 - 1  
Permit No. 1136585

*Be It Ordained by the City Council of the City of Chicago:*

SECTION 1. Permission and authority are hereby given and granted to 549 RANDOLPH VENTURE LLC, upon the terms and subject to the conditions of this ordinance to maintain and use, as now constructed, one (1) Vault(s) under the public right-of-way adjacent to its premises known as 549 W. Randolph St..

Said Vault(s) at North Clinton Street measure(s):

One (1) at one hundred twenty-five (125) feet in length, and twelve point five (12.5) feet in width for a total of one thousand five hundred sixty-two point five (1562.5) square feet.

The location of said privilege shall be as shown on prints kept on file with the Department of Business Affairs and Consumer Protection and the Office of the City Clerk.

Said privilege shall be constructed in accordance with plans and specifications approved by the Department of Transportation (Office of Underground Coordination).

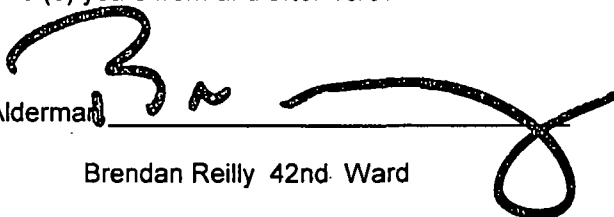
This grant of privilege in the public way shall be subject to the provisions of Section 10-28-015 and all other required provisions of the Municipal Code of Chicago.

The grantee shall pay to the City of Chicago as compensation for the privilege #1136585 herein granted the sum of one thousand nine hundred eighty (\$1,980.00) per annum in advance.

A 25% penalty will be added for payments received after due date.

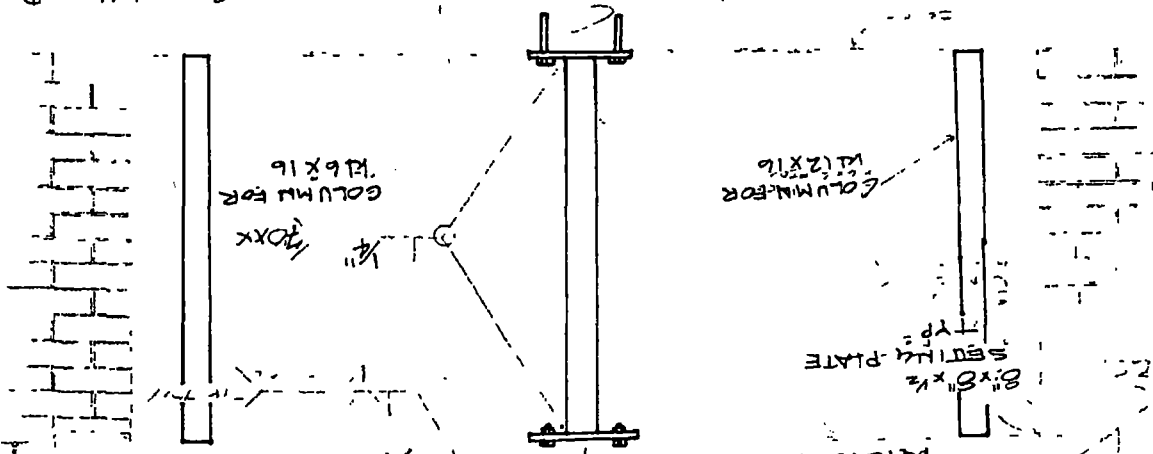
The permit holder agrees to hold the City of Chicago harmless for any damage, relocation or replacement costs associated with damage, relocation or removal of private property caused by the City performing work in the public way.

Authority herein given and granted for a period of five (5) years from and after 10/08/2018.

Alderman   
Brendan Reilly 42nd. Ward

Great Lakes Builders  
1911 W. Rausch  
LAKES

4" x 8" VIF  
4" x 8" VIF



12x19  
COLUMN FOR  
12x19

12x19  
COLUMN FOR

8" x 8" VIF  
SPLITTING PLATE

12x19

12x19

1 IN-FILL SOLID CMU TYPE S MORTAR  
1 1/2" x 11" x 11"

Window

Door

4" x 8" VIF

8"