



City of Chicago



O2019-6732

Office of the City Clerk

Document Tracking Sheet

Meeting Date:	9/9/2019
Sponsor(s):	Tunney (44)
Type:	Ordinance
Title:	Grant(s) of privilege in public way for Chicago House of Smokes
Committee(s) Assignment:	Committee on Transportation and Public Way

Direct Intro
44

ORDINANCE
CHICAGO HOUSE OF SMOKES
Acct. No. 428184 - 1
Permit No. 1135944

Be It Ordained by the City Council of the City of Chicago:

SECTION 1. Permission and authority are hereby given and granted to CHICAGO HOUSE OF SMOKES, upon the terms and subject to the conditions of this ordinance to maintain and use one (1) sign(s) projecting over the public right-of-way attached to its premises known as 2917 N. Broadway .

Said sign structure(s) measures as follows; along N Broadway:

One (1) at twelve (12) feet in length, three (3) feet in height and ten (10) feet above grade level.

The location of said privilege shall be as shown on prints kept on file with the Department of Business Affairs and Consumer Protection and the Office of the City Clerk.

Said privilege shall be constructed in accordance with plans and specifications approved by the Department of Transportation (Division of Project Development) and Zoning Department - Signs.

This grant of privilege in the public way shall be subject to the provisions of Section 10-28-015 and all other required provisions of the Municipal Code of Chicago.

The grantee shall pay to the City of Chicago as compensation for the privilege #1135944 herein granted the sum of three hundred (\$300.00) per annum in advance.

A 25% penalty will be added for payments received after due date.

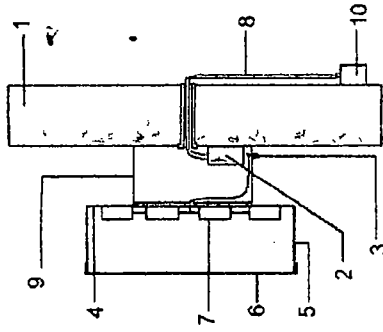
The permit holder agrees to hold the City of Chicago harmless for any damage, relocation or replacement costs associated with damage, relocation or removal of private property caused by the City performing work in the public way.

Authority herein given and granted for a period of five (5) years from and after Date of Passage.

Alderman _____

Thomas Tunney 44th Ward

LED Channel Letter Side View

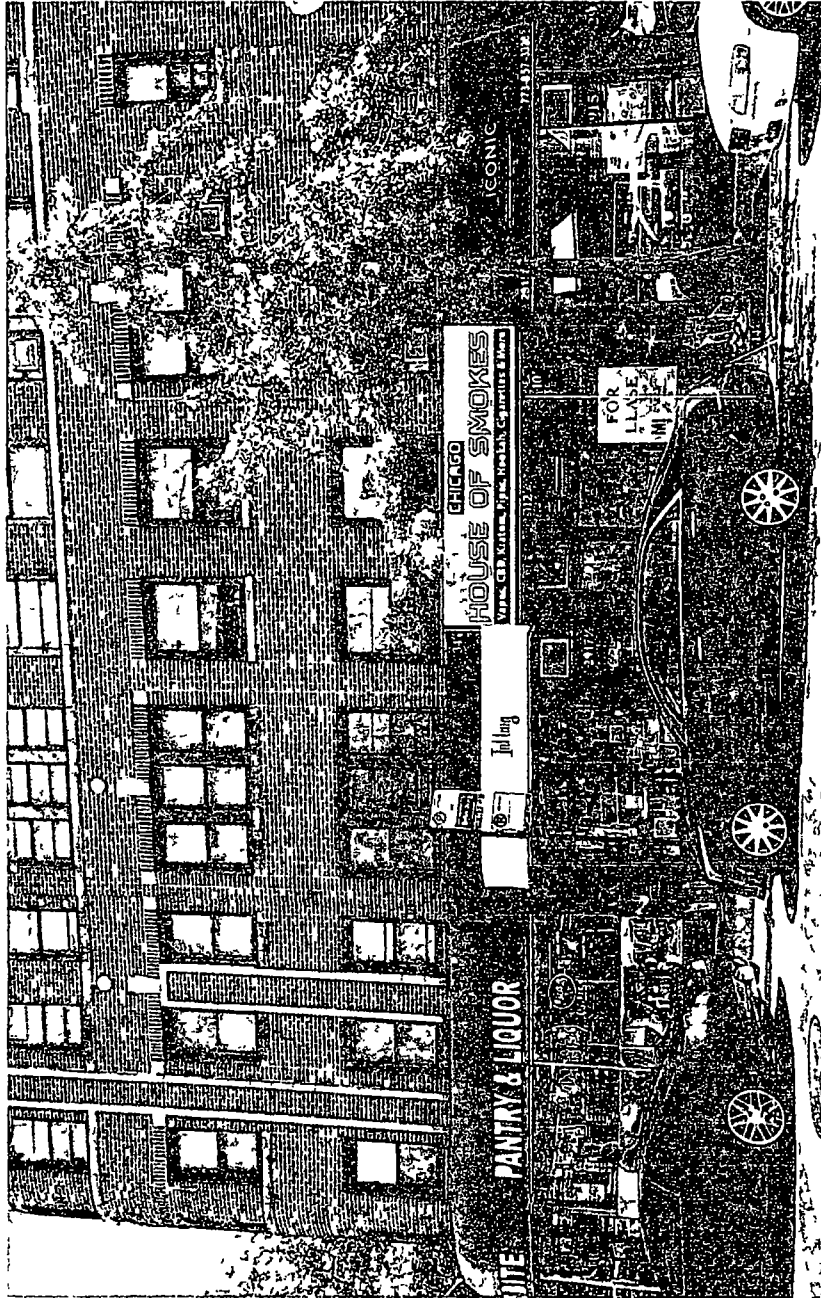


- 1 Building facade / Sign band
- 2 LED Transformer (UL)
Input 120VAC Output 12VDC/5A
- 3 Disconnect Safety Switch
- 4 0 040 Aluminum back
- 5 0 040 Aluminum return
- 6 Acrylic face
- 7 LED lamp
- 8 12G Electric wire with flexible conduit
- 9 Raceway (color matches w/wall color)
- 10 Power connection box

SIGNATURE

LANDLORD

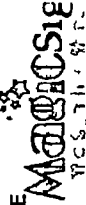
TENANT



Site Address	2917 N Broadway		
Sign Type	Channel Letters		
Physical Information	Face	Return	Trim
	Light		

All sign and concepts shown here are confidential and are the property of Magic Sign Co. They are not to be distributed, copied or otherwise used without our written permission.

COMPUTER GENERATED COLORS ARE NOT A TRUE MATCH TO ANY PMS VINYL OR PAINT



Client	Chicago house of Smoke	Drawing #	1
Approved	Sales	Date	9/11/2018
Scale	Drawn By	Nafas	Rev Date



Department of Business Affairs and Consumer Protection

Small Business Center - Public Way Use Unit
City Hall - 121 N. LaSalle Street, Room 800 • Chicago, IL 60602
312-74-GOBIZ / 312-744-6249 • (312) 744-1944 (TTY)
<http://www.cityofchicago.org/bacp>

07/24/2019

Alderman **Thomas Tunney**
Ward # **44**
City of Chicago
City Hall, Room **300**
121 North LaSalle Street
Chicago, Illinois 60602

Re: An ordinance to use and maintain a portion of the public right-of-way for **one (1) sign(s)** for
CHICAGO HOUSE OF SMOKES, adjacent to the premises known as **2917 N. Broadway** .

Dear Alderman **Thomas Tunney**:

The applicant referenced above has requested the use of the public right-of-way for a **sign(s)**. An ordinance has been prepared by the Department of Business Affairs and Consumer Protection – Small Business Center - Public Way Use Unit for presentation to the City Council. Because this request was made for properties located in your ward, as approved by you as per the attached, I respectfully request that you introduce the attached ordinance at the next City Council meeting.

If you have any questions regarding this ordinance, please contact Anthony Bertuca at (312) 744-5506.

Department of Business Affairs and Consumer Protection