



City of Chicago



O2015-448

Office of the City Clerk

Document Tracking Sheet

Meeting Date:	1/21/2015
Sponsor(s):	Tunney (44)
Type:	Ordinance
Title:	Grant(s) of privilege in public way for Southport Grocery and Cafe, Inc.
Committee(s) Assignment:	Committee on Transportation and Public Way

ORDINANCE
SOUTHPORT GROCERY AND CAFE, INC.
Acct. No. 262107 - 1
Permit No. 1116088

Be It Ordained by the City Council of the City of Chicago:

SECTION 1. Permission and authority are hereby given and granted to SOUTHPORT GROCERY AND CAFE, INC., upon the terms and subject to the conditions of this ordinance to maintain and use, as now constructed, one (1) Wind Screen(s) on the public right-of-way adjacent to its premises known as 3552 N. Southport Ave..

Said Wind Screen(s) at N. Southport Avenue measure(s):
One (1) at eleven (11) feet in length, and one point five (1.5) foot in width for a total of sixteen point five (16.5) square feet.

The location of said privilege shall be as shown on prints kept on file with the Department of Business Affairs and Consumer Protection and the Office of the City Clerk.

Said privilege shall be constructed in accordance with plans and specifications approved by the Department of Transportation (Division of Project Development).

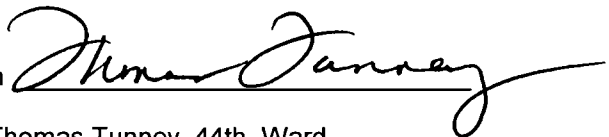
This grant of privilege in the public way shall be subject to the provisions of Section 10-28-015 and all other required provisions of the Municipal Code of Chicago.

The grantee shall pay to the City of Chicago as compensation for the privilege #1116088 herein granted the sum of four hundred (\$400.00) per annum in advance.

A 25% penalty will be added for payments received after due date.

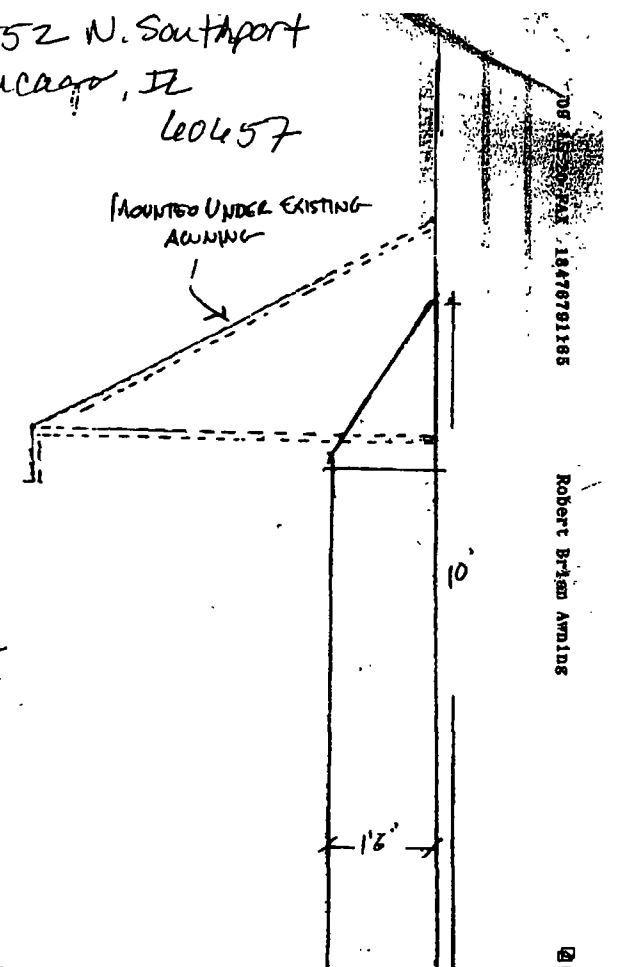
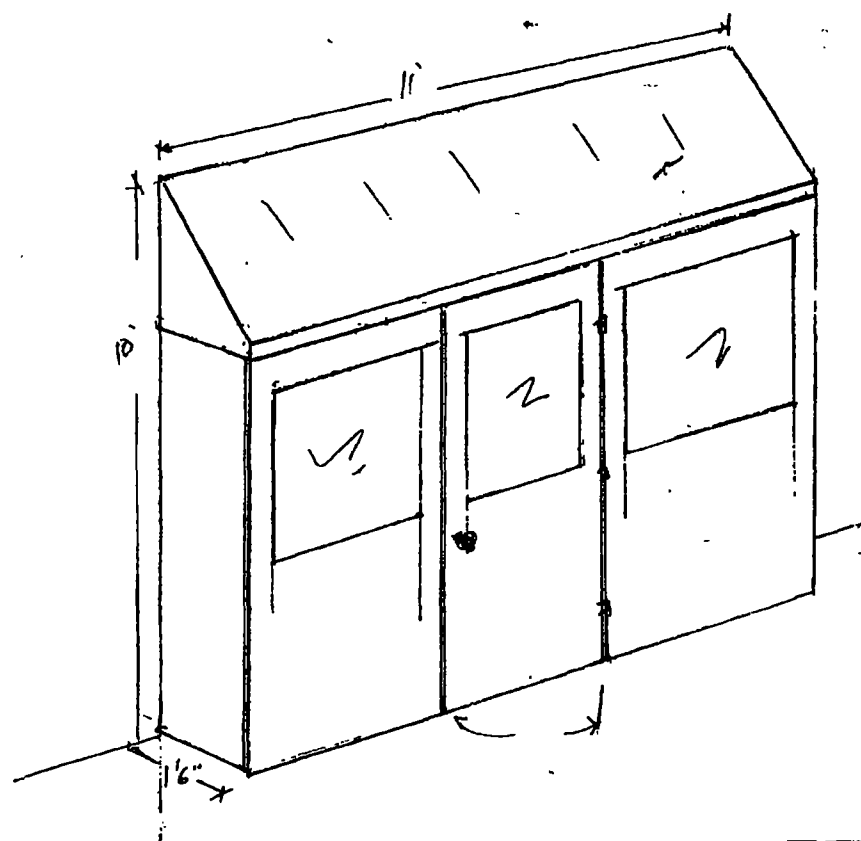
The permit holder agrees to hold the City of Chicago harmless for any damage, relocation or replacement costs associated with damage, relocation or removal of private property caused by the City performing work in the public way.

Authority herein given and granted for a period of five (5) years from and after 12/16/2014.

Alderman 
Thomas Tunney 44th Ward

REMOVABLE CANVAS VESTIBULE
(FOR SEASONAL USE - OCT. TO APRIL)

3552 N. Southport
Chicago, IL
60657



DR. J. L. ... 1847679185

Robert Brian Avulius

002/002

