



City of Chicago



O2015-3084

Office of the City Clerk

Document Tracking Sheet

Meeting Date:	4/15/2015
Sponsor(s):	Smith (43)
Type:	Ordinance
Title:	Grant(s) of privilege in public way for Soulcycle - banner
Committee(s) Assignment:	Committee on Transportation and Public Way

ORDINANCE
SOULCYCLE
Acct. No. 394858 - 1
Permit No. 1116673

Be It Ordained by the City Council of the City of Chicago:

SECTION 1. Permission and authority are hereby given and granted to SOULCYCLE, upon the terms and subject to the conditions of this ordinance to construct, install, maintain and use one (1) Banner(s) projecting over the public right-of-way adjacent to its premises known as 1225 N. Wells St..

Said Banner(s) at Wells measure(s):

One (1) at two point three three (2.33) feet in length, and six point six seven (6.67) feet in width for a total of fifteen point five four (15.54) square feet.

The location of said privilege shall be as shown on prints kept on file with the Department of Business Affairs and Consumer Protection and the Office of the City Clerk.

Said privilege shall be constructed in accordance with plans and specifications approved by the Zoning Department - Signs.

This grant of privilege in the public way shall be subject to the provisions of Section 10-28-015 and all other required provisions of the Municipal Code of Chicago.

The grantee shall pay to the City of Chicago as compensation for the privilege #1116673 herein granted the sum of seventy-five (\$75.00) per annum in advance.

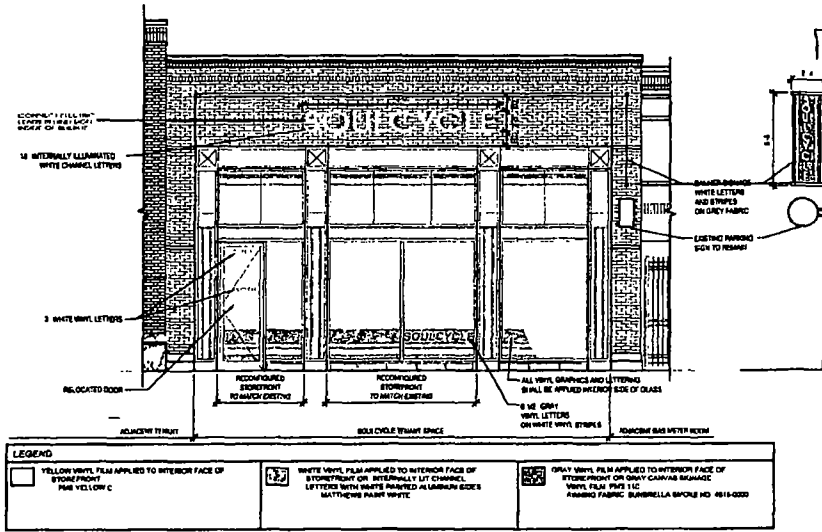
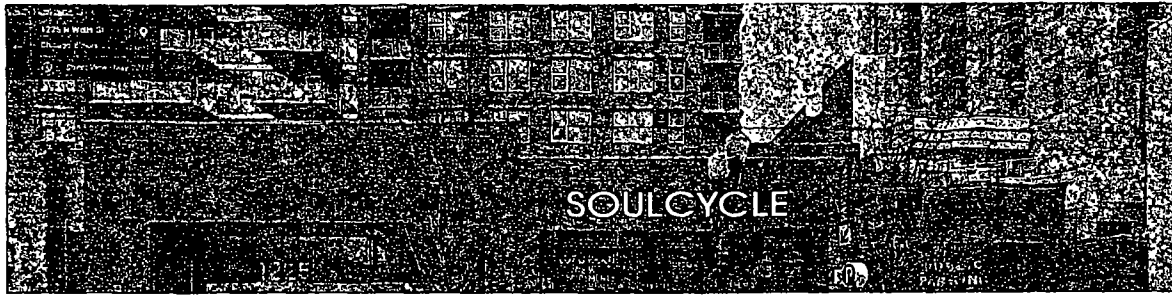
A 25% penalty will be added for payments received after due date.

The permit holder agrees to hold the City of Chicago harmless for any damage, relocation or replacement costs associated with damage, relocation or removal of private property caused by the City performing work in the public way.

Authority herein given and granted for a period of five (5) years from and after Date of Passage.

Alderman 

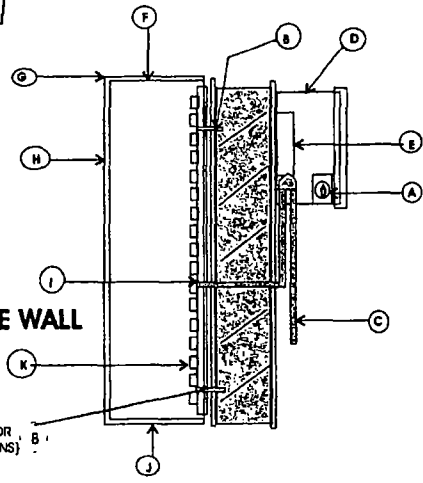
Michele Smith 43rd Ward



- A listed disconnect switch
- B fasteners as req'd
- C primary electrical source
- D metal box to house power supply
- E electronic power supply
- F 5" (0.063) alum returns
- G 1" trim cap
- H 3/16" thick plex face white #7328
- I Pb3 or black plastic bushings
- J weep holes
- K GE power white L.E.D. Lights

LEGEND		
	YELLOW VINYL FILM APPLIED TO INTERIOR FACE OF STOREFRONT	THIS YELLOW C
	WHITE VINYL FILM APPLIED TO INTERIOR FACE OF STOREFRONT OR INTERNALLY LIT CHANNEL LETTERS WITH WHITE PAINTED ALUMINUM SIDES MATTHEWS PAINT 9957E	
	GRAY VINYL FILM APPLIED TO INTERIOR FACE OF STOREFRONT OR GRAY CANVAS SIGNAGE VINYL FILM PMS 110 FABRIC FABRIC BUMBELLA BRUCE NO. 9511-020	

SIDE VIEW
CHANNEL LETTER FLUSH MOUNTED TO THE WALL



3/8" IDA S.S. MOUNTING ANCHOR (TYPE T.B.D. PER WALL CONDITIONS) THROUGH BOLT WHEN POSSIBLE

ACCEPTANCE/AUTHORIZATION	DATE
CUSTOMER APPROVAL	DATE
SALES REPRESENTATIVE	DATE
ELECTRICAL SERVICE AND CONNECTIONS ARE THE RESPONSIBILITY OF THE SUBSCRIBER	

DIVISION OF TURK ELECTRIC
 DESIGN • ENGINEERING • MANUFACTURING
 INSTALLATION • SERVICE • MAINTENANCE
 3434 N. CALERO AVENUE • 773-734-9300
 CHICAGO, ILLINOIS • PASTOR@TURKELECTRIC.COM