



# City of Chicago



O2018-5290

Office of the City Clerk

## Document Tracking Sheet

<b>Meeting Date:</b>	6/27/2018
<b>Sponsor(s):</b>	Cappleman (46)
<b>Type:</b>	Ordinance
<b>Title:</b>	Awning(s) for Angelina Ristorante
<b>Committee(s) Assignment:</b>	Committee on Transportation and Public Way

ORDINANCE  
ANGELINA RISTORANTE  
Acct. No. 12559 - 1  
Permit No. 1133841

*Be It Ordained by the City Council of the City of Chicago:*

SECTION 1. Permission and authority are hereby given and granted to ANGELINA RISTORANTE, upon the terms and subject to the conditions of this ordinance to maintain and use, as now constructed, two (2) Awning(s) projecting over the public right-of-way adjacent to its premises known as 3561 N. Broadway .

Said Awning(s) at N. Broadway measure(s):

Two (2) at sixteen point five (16.5) feet in length, and three point four two (3.42) feet in width for a total of one hundred twelve point eight six (112.86) square feet.

The location of said privilege shall be as shown on prints kept on file with the Department of Business Affairs and Consumer Protection and the Office of the City Clerk.

Said privilege shall be constructed in accordance with plans and specifications approved by the Zoning Department - Signs.

This grant of privilege in the public way shall be subject to the provisions of Section 10-28-015 and all other required provisions of the Municipal Code of Chicago.

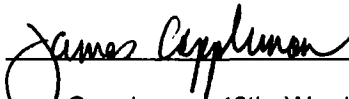
The grantee shall pay to the City of Chicago as compensation for the privilege #1133841 herein granted the sum of one hundred (\$100.00) per annum in advance.

A 25% penalty will be added for payments received after due date.

The permit holder agrees to hold the City of Chicago harmless for any damage, relocation or replacement costs associated with damage, relocation or removal of private property caused by the City performing work in the public way.

Authority herein given and granted for a period of five (5) years from and after 06/11/2018.

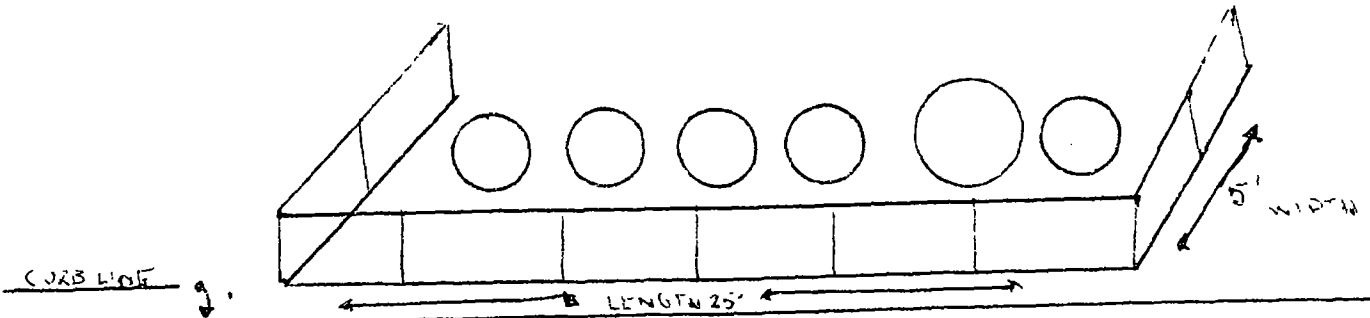
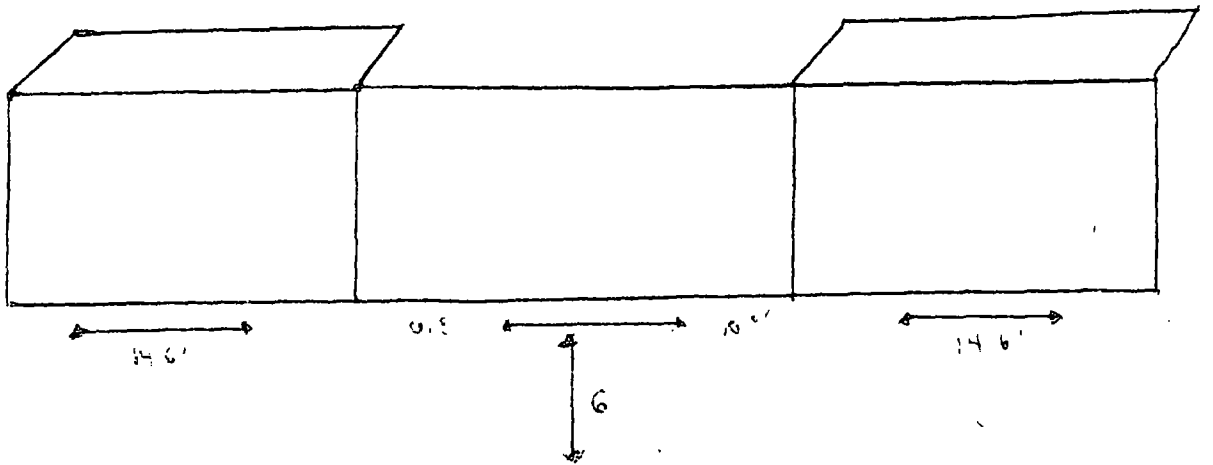
Alderman

  
James Cappleman 46th Ward

ANGELINA KISLIKOWICZ

2561 N. BRADWAY

CHICAGO, IL 60607





**Department of Business Affairs and Consumer Protection**  
Small Business Center - Public Way Use Unit  
City Hall - 121 N LaSalle Street, Room 800 • Chicago, IL 60602  
312-74-GOBIZ / 312-744-6249 • (312) 744-1944 (TTY)  
<http://www.cityofchicago.org/bacp>

**06/27/2018**

**Alderman James Cappleman**  
Ward # 46  
City of Chicago  
City Hall, Room 200  
121 North LaSalle Street  
Chicago, Illinois 60602

Re: An ordinance to use and maintain a portion of the public right-of-way for **two (2) awning(s)** for **ANGELINA RISTORANTE**, adjacent to the premises known as **3561 N. Broadway** .

Dear Alderman **James Cappleman**:

The applicant referenced above has requested the use of the public right-of-way for a **awning(s)**. An ordinance has been prepared by the Department of Business Affairs and Consumer Protection – Small Business Center - Public Way Use Unit for presentation to the City Council. Because this request was made for properties located in your ward, as approved by you as per the attached, I respectfully request that you introduce the attached ordinance at the next City Council meeting.

If you have any questions regarding this ordinance, please contact Anthony Bertuca at (312) 744-5506.

**Department of Business Affairs and Consumer Protection**