



# City of Chicago



O2017-5442

Office of the City Clerk  
Document Tracking Sheet

<b>Meeting Date:</b>	7/20/2017
<b>Sponsor(s):</b>	Sposato (38)
<b>Type:</b>	Ordinance
<b>Title:</b>	Grant(s) of privilege in public way for Meiszner Funeral Home - sign
<b>Committee(s) Assignment:</b>	Committee on Transportation and Public Way

ORDINANCE  
MEISZNER FUNERAL HOME  
Acct. No. 50622 - 1  
Permit No. 1128837

*Be It Ordained by the City Council of the City of Chicago:*

SECTION 1. Permission and authority are hereby given and granted to MEISZNER FUNERAL HOME, upon the terms and subject to the conditions of this ordinance to maintain and use one (1) sign(s) projecting over the public right-of-way attached to its premises known as 5624 W. Irving Park Rd..

Said sign structure(s) measures as follows; along WEST IRVING PARK:  
One (1) at six (6) feet in length, four (4) feet in height and ten point four one (10.41) feet above grade level.

The location of said privilege shall be as shown on prints kept on file with the Department of Business Affairs and Consumer Protection and the Office of the City Clerk.

Said privilege shall be constructed in accordance with plans and specifications approved by the Department of Transportation (Division of Project Development) and Zoning Department - Signs.

This grant of privilege in the public way shall be subject to the provisions of Section 10-28-015 and all other required provisions of the Municipal Code of Chicago.

The grantee shall pay to the City of Chicago as compensation for the privilege #1128837 herein granted the sum of one hundred (\$100.00) per annum in advance.

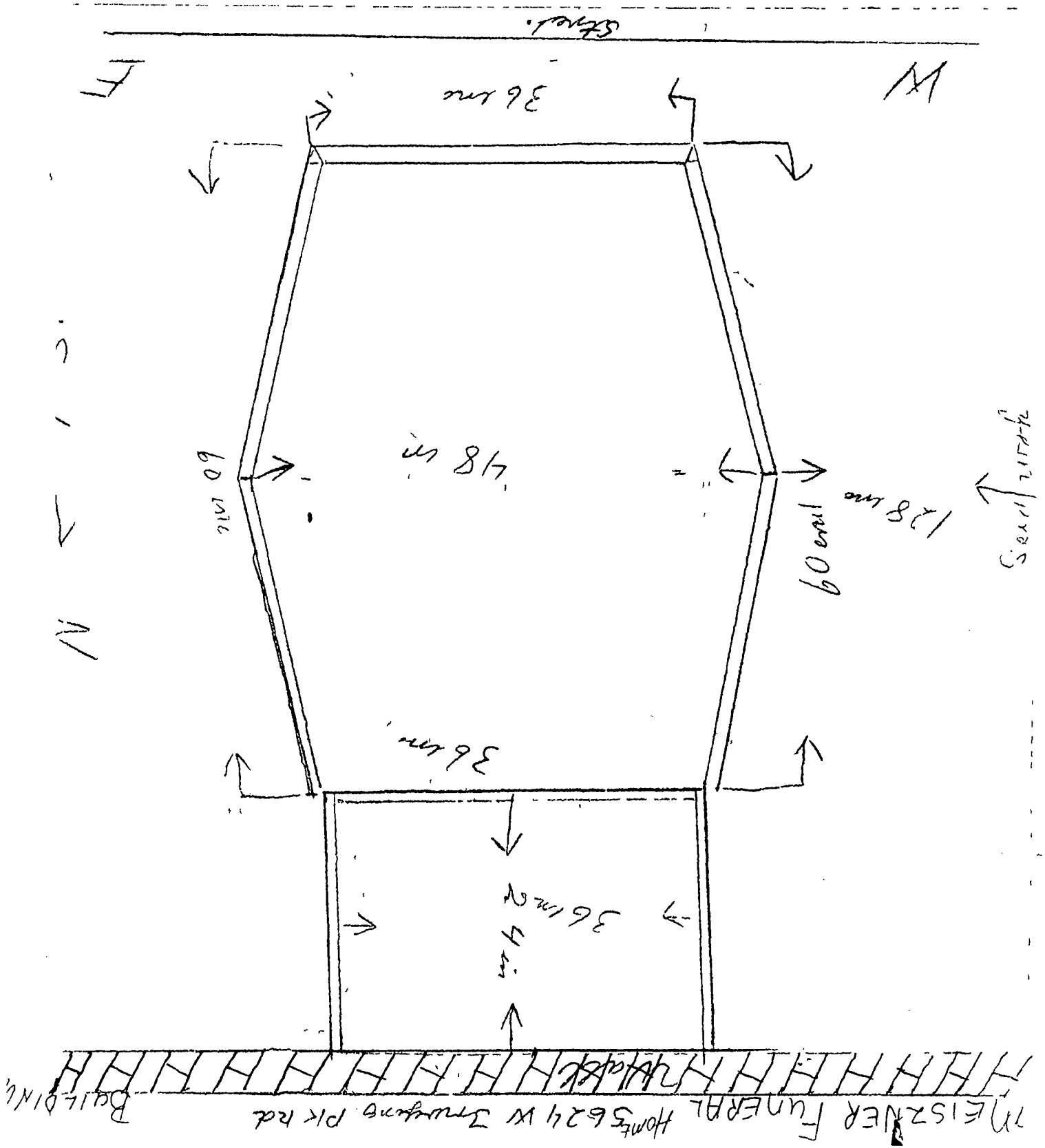
A 25% penalty will be added for payments received after due date.

The permit holder agrees to hold the City of Chicago harmless for any damage, relocation or replacement costs associated with damage, relocation or removal of private property caused by the City performing work in the public way.

Authority herein given and granted for a period of five (5) years from and after 07/19/2017.

Alderman \_\_\_\_\_

Nicholas Sposato 38<sup>th</sup> Ward





Department of Business Affairs and Consumer Protection  
Small Business Center - Public Way Use Unit  
City Hall - 121 N LaSalle Street, Room 800 • Chicago, IL 60602  
312-74-GOBIZ / 312-744-6249 • (312) 744-1944 (TTY)  
<http://www.cityofchicago.org/bacp>

**06/28/2017**

Alderman **Nicholas Sposato**  
Ward # **38**  
City of Chicago  
City Hall, Room **200**  
121 North LaSalle Street  
Chicago, Illinois 60602

Re: An ordinance to use and maintain a portion of the public right-of-way for **one (1) sign(s)** for  
**MEISZNER FUNERAL HOME**, adjacent to the premises known as **5624 W. Irving Park Rd.**

Dear Alderman **Nicholas Sposato**:

The applicant referenced above has requested the use of the public right-of-way for a **sign(s)**. An ordinance has been prepared by the Department of Business Affairs and Consumer Protection – Small Business Center - Public Way Use Unit for presentation to the City Council. Because this request was made for properties located in your ward, as approved by you as per the attached, I respectfully request that you introduce the attached ordinance at the next City Council meeting.

If you have any questions regarding this ordinance, please contact Anthony Bertuca at (312) 744-5506.

**Department of Business Affairs and Consumer Protection**