



City of Chicago



O2017-2426

Office of the City Clerk

Document Tracking Sheet

Meeting Date:	3/29/2017
Sponsor(s):	Mell (33)
Type:	Ordinance
Title:	Awning(s) for AM Thai Restaurant
Committee(s) Assignment:	Committee on Transportation and Public Way

ORDINANCE
AM THAI RESTAURANT
Acct. No. 412199 - 1
Permit No. 1125383

Be It Ordained by the City Council of the City of Chicago:

SECTION 1. Permission and authority are hereby given and granted to AM THAI RESTAURANT, upon the terms and subject to the conditions of this ordinance to construct, install, maintain and use one (1) Awning(s) projecting over the public right-of-way adjacent to its premises known as 3254 W. Montrose Ave..

Said Awning(s) at W. Montrose Avenue measure(s):

One (1) at twenty-three (23) feet in length, and two (2) feet in width for a total of forty-six (46) square feet.

The location of said privilege shall be as shown on prints kept on file with the Department of Business Affairs and Consumer Protection and the Office of the City Clerk.

Said privilege shall be constructed in accordance with plans and specifications approved by the Zoning Department - Signs.

This grant of privilege in the public way shall be subject to the provisions of Section 10-28-015 and all other required provisions of the Municipal Code of Chicago.

The grantee shall pay to the City of Chicago as compensation for the privilege #1125383 herein granted the sum of fifty (\$50.00) per annum in advance.

A 25% penalty will be added for payments received after due date.

The permit holder agrees to hold the City of Chicago harmless for any damage, relocation or replacement costs associated with damage, relocation or removal of private property caused by the City performing work in the public way.

Authority herein given and granted for a period of five (5) years from and after Date of Passage.

Alderman 
Deborah Mell 33rd Ward



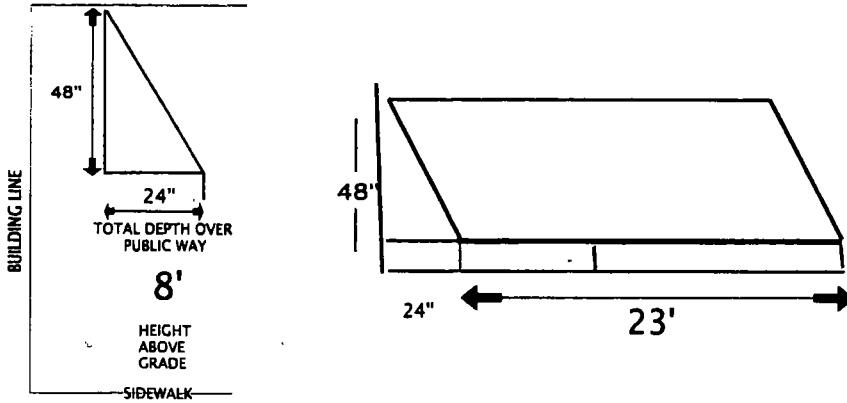
AM THAI RESTAURANT
 3254 W. MONTROSE AVE
 Chicago, IL 60618

NEW AWNING
 MOUNTED IN A 1" X 1" ALUMINUM WELDED
 FRAME 23' X 4' X 2'

MOUNTED TO THE BUILDING USING
 3/8" X 3" LAG BOLTS WILL TRY TO
 MOUNT THE AWNING INTO THE BUILDING
 MORTAR NOT BRICKS

THE BUILDING IS MADE OF BRICK

INDEPENDENT NEON & SIGNS
 1810 W IRVING PARK
 CHICAGO, IL 60640
 773-248-1969





Department of Business Affairs and Consumer Protection
Small Business Center - Public Way Use Unit
City Hall - 121 N. LaSalle Street, Room 800 • Chicago, IL 60602
312-74-GOBIZ / 312-744-6249 • (312) 744-1944 (TTY)
<http://www.cityofchicago.org/bacp>

03/29/2017

Alderman Deborah Mell
Ward # 33
City of Chicago
City Hall, Room 200
121 North LaSalle Street
Chicago, Illinois 60602

Re: An ordinance to use and maintain a portion of the public right-of-way for **one (1) awning(s)** for **AM THAI RESTAURANT**, adjacent to the premises known as **3254 W. Montrose Ave.**.

Dear Alderman **Deborah Mell**:

The applicant referenced above has requested the use of the public right-of-way for a **awning(s)**. An ordinance has been prepared by the Department of Business Affairs and Consumer Protection – Small Business Center - Public Way Use Unit for presentation to the City Council. Because this request was made for properties located in your ward, as approved by you as per the attached, I respectfully request that you introduce the attached ordinance at the next City Council meeting.

If you have any questions regarding this ordinance, please contact Anthony Bertuca at (312) 744-5506.

Department of Business Affairs and Consumer Protection