



City of Chicago



O2016-9060

Office of the City Clerk

Document Tracking Sheet

Meeting Date:	12/14/2016
Sponsor(s):	Osterman (48)
Type:	Ordinance
Title:	Awning(s) for Chicago Northside Toyota
Committee(s) Assignment:	Committee on Transportation and Public Way

ORDINANCE
CHICAGO NORTHSIDE TOYOTA
Acct. No. 290398 - 1
Permit No. 1125295

Be It Ordained by the City Council of the City of Chicago:

SECTION 1. Permission and authority are hereby given and granted to CHICAGO NORTHSIDE TOYOTA, upon the terms and subject to the conditions of this ordinance to maintain and use, as now constructed, one (1) Awning(s) projecting over the public right-of-way adjacent to its premises known as 5625 N. Broadway .

Said Awning(s) at N. Broadway measure(s):

One (1) at nine point five (9.5) feet in length, and thirteen point six seven (13.67) feet in width for a total of one hundred twenty-nine point eight seven (129.87) square feet.

The location of said privilege shall be as shown on prints kept on file with the Department of Business Affairs and Consumer Protection and the Office of the City Clerk.

Said privilege shall be constructed in accordance with plans and specifications approved by the Zoning Department - Signs.

This grant of privilege in the public way shall be subject to the provisions of Section 10-28-015 and all other required provisions of the Municipal Code of Chicago.

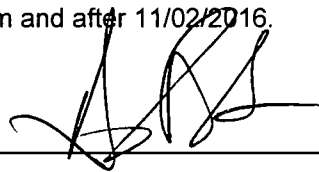
The grantee shall pay to the City of Chicago as compensation for the privilege #1125295 herein granted the sum of fifty (\$50.00) per annum in advance.

A 25% penalty will be added for payments received after due date.

The permit holder agrees to hold the City of Chicago harmless for any damage, relocation or replacement costs associated with damage, relocation or removal of private property caused by the City performing work in the public way.

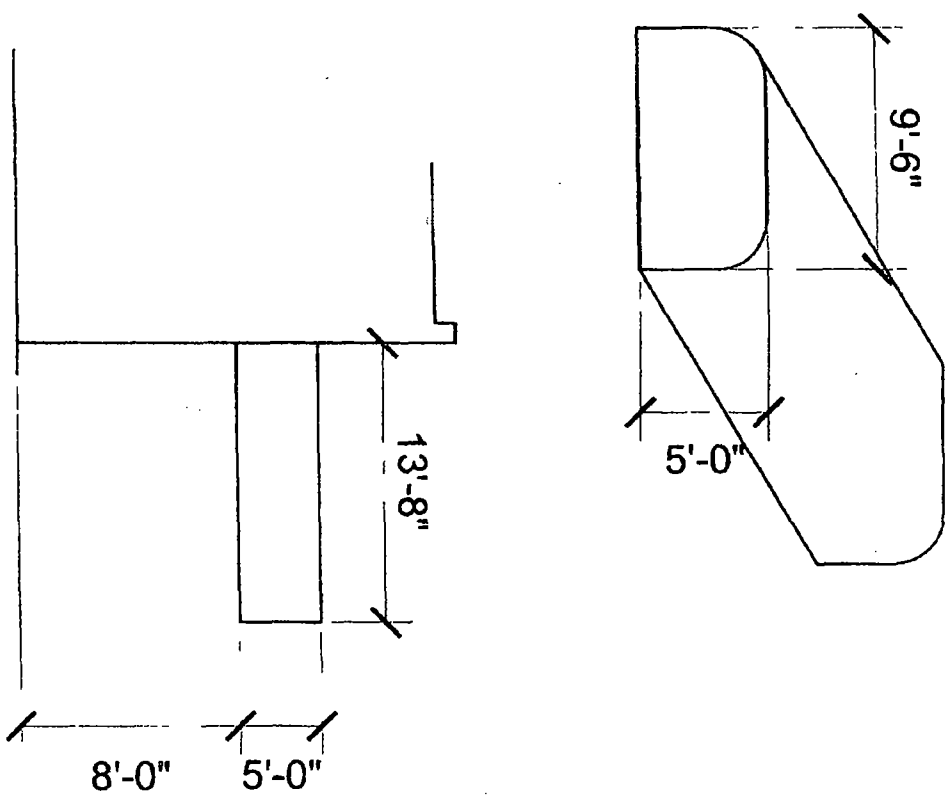
Authority herein given and granted for a period of five (5) years from and after 11/02/2016.

Alderman _____



Harry Osterman 48th Ward

① NO DOB PERMIT





Department of Business Affairs and Consumer Protection
Small Business Center - Public Way Use Unit
City Hall - 121 N LaSalle Street, Room 800 • Chicago, IL 60602
312-74-GOBIZ / 312-744-6249 • (312) 744-1944 (TTY)
<http://www.cityofchicago.org/bacp>

12/14/2016

Alderman Harry Osterman
Ward # 48
City of Chicago
City Hall, Room 300
121 North LaSalle Street
Chicago, Illinois 60602

Re: An ordinance to use and maintain a portion of the public right-of-way for **one (1) awning(s)** for **CHICAGO NORTHSIDE TOYOTA**, adjacent to the premises known as **5625 N. Broadway**.

Dear **Alderman Harry Osterman**:

The applicant referenced above has requested the use of the public right-of-way for a **awning(s)**. An ordinance has been prepared by the Department of Business Affairs and Consumer Protection – Small Business Center - Public Way Use Unit for presentation to the City Council. Because this request was made for properties located in your ward, as approved by you as per the attached, I respectfully request that you introduce the attached ordinance at the next City Council meeting.

If you have any questions regarding this ordinance, please contact Anthony Bertuca at (312) 744-5506.

Department of Business Affairs and Consumer Protection