



City of Chicago



O2019-1834

Office of the City Clerk

Document Tracking Sheet

Meeting Date:	3/13/2019
Sponsor(s):	Munoz (22)
Type:	Ordinance
Title:	Awning(s) for Sora Temkeria LLC
Committee(s) Assignment:	Committee on Transportation and Public Way

ORDINANCE
SORA TEMAKERIA, LLC
Acct. No. 423182 - 1
Permit No. 1130688

Be It Ordained by the City Council of the City of Chicago:

SECTION 1. Permission and authority are hereby given and granted to SORA TEMAKERIA, LLC, upon the terms and subject to the conditions of this ordinance to construct, install, maintain and use one (1) Awning(s) projecting over the public right-of-way adjacent to its premises known as 3508 W. 26th St..

Said Awning(s) at W. 26th Street measure(s):

One (1) at seventeen (17) feet in length, and two (2) feet in width for a total of thirty-four (34) square feet.

The location of said privilege shall be as shown on prints kept on file with the Department of Business Affairs and Consumer Protection and the Office of the City Clerk.

Said privilege shall be constructed in accordance with plans and specifications approved by the Zoning Department - Signs.


This grant of privilege in the public way shall be subject to the provisions of Section 10-28-015 and all other required provisions of the Municipal Code of Chicago.

The grantee shall pay to the City of Chicago as compensation for the privilege #1130688 herein granted the sum of fifty (\$50.00) per annum in advance.

A 25% penalty will be added for payments received after due date.

The permit holder agrees to hold the City of Chicago harmless for any damage, relocation or replacement costs associated with damage, relocation or removal of private property caused by the City performing work in the public way.

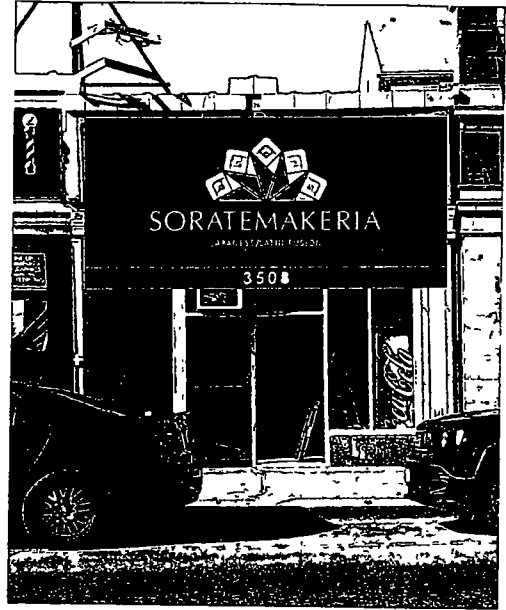
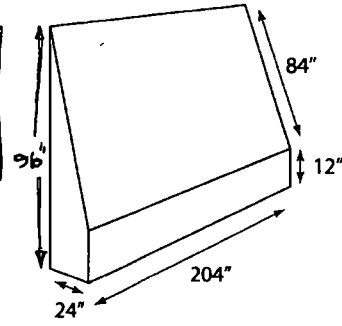
Authority herein given and granted for a period of five (5) years from and after Date of Passage.

Alderman 
Ricardo Munoz 22nd Ward

Logo size print W 129"x H 61 3



Number size print W 26 x H 7 3



Existing exterior view

3508 W 26th St, Chicago, IL 60623