



# City of Chicago



Or2015-486

Office of the City Clerk

## Document Tracking Sheet

<b>Meeting Date:</b>	8/27/2015
<b>Sponsor(s):</b>	O'Connor (40)
<b>Type:</b>	Order
<b>Title:</b>	Issuance of permits for sign(s)/signboard(s) at 1807 W Devon Ave - App No. 100600978
<b>Committee(s) Assignment:</b>	Committee on Zoning, Landmarks and Building Standards

Committee on Buildings

ORDERED, That the Commissioner of Building is hereby directed to issue a sign permit to:

Lincoln Services, Inc.  
P.O. Box 64479  
Chicago, IL 60664

For the erection of a sign/signboard over 24 feet in height and or over 100 square feet (in area of one face) at:

1807 W. Devon  
Sign #4

---

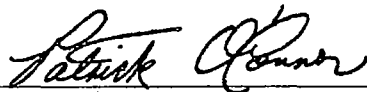
Dimensions: Length 53'3" Height 5'.

Height above grade / roof to top of sign 25'.

TOTAL SQUARE FOOT AREA 266'.

Application #100600978

Such sign(s) shall comply with all applicable provisions of Title 17 of the Chicago Zoning Ordinance and all other applicable provisions of the Municipal Code of the City of Chicago governing the construction and maintenance of outdoor signs, signboards and structures.

  
Alderman, 40th Ward



CITY OF CHICAGO

# DEPARTMENT OF BUILDINGS

## Sign Permit Application

APPROVAL NUMBER	APPLICATION NUMBER 100600978	ANNUAL FEE	WORK CODE	DRAWINGS ATTACHED <input type="checkbox"/> YES <input type="checkbox"/> NO
DATE OF APPLICATION 06/20/2015		TYPE OF SIGN FLAT OR BOX		
ADDRESS OF SIGN 1807 W DEVON AVE. 60660-		LENGTH	FT 53	IN. 3
BUILDING	ORIGINAL PERMIT NUMBER	HEIGHT	FT 5	IN.
TYPE OF PERMIT NEW CONSTRUCTION (SIGN)		AREA	SQ. FT 266	WEIGHT LBS 150
PAYER OF ANNUAL INSPECTION STORAGE, EXTRA SPACE 2795 E. COTTONWOOD PKWY SALT LAKE CITY, UT 84121 (801)365-4644		SIGN HEIGHT ABOVE GRADE/ROOF		FT 20
SIGN MANUFACTURER US SIGNS		SHAPE OF SIGN REGULAR		
ADDRESS WHERE SIGN CAN BE SEEN PRIOR TO ERECTION		SIGN WILL READ EXTRA SPACE STORAGE		
TICKET NUMBER 0	REINSPECTION CONTROL NUMBER	NO OF LAMPS 136	TOTAL WATTAGE 100	
TYPE OF SUPPORT FOR SIGN BUILDING		TYPE OF LAMP OTHER		
SIGN BOARD SUPPORT MEMBERS STEEL		NO. OF BALLAST/TRANSFORMERS	INPUT OF TRANSFORMERS 120V	
ANNUAL FEE		CONTRACTOR WILL INSTALL <input checked="" type="checkbox"/> FEEDERS <input checked="" type="checkbox"/> CUSTOMER LEADS		
CONSTRUCTION FEE	700.00	TYPE OF SWITCH KNIFE		
1017 B FEE		LOCATION OF SWITCH OUTSIDE SIGN		
TOTAL FEE	700.00	SIGN LOCATION INSTALL ILLUMINATED CHANNEL LETTER SIGN ON NORTH ELEVATION		
AMOUNT PAID	200.00			
BALANCE DUE	\$ 500.00			

The undersigned certify that the statements in this application are true and correct and that all work done under the proposed permit will conform to the requirements of the Chicago Municipal Code

REG. NO.	E94939
ELECT CONTR PILON ELECTRIC INC	ELECTR
ADDRESS 12546 W HARVEY DRIVE NEW LENOX, IL 60451-	
SUPERVISOR SIGNATURE <i>Michael T. Trujillo</i>	

BOND NO	REG. NO	N93194
SIGN ERECTOR LINCOLN SERVICES	SIGNER	
ADDRESS P.O. BOX 64479 CHICAGO IL, 60664		
SIGNATURE <i>Lon J. Walsh</i>		

The permit issued on this application will authorize only signs here applied for. If other signs are to be erected they must be covered by additional permits

City of Chicago  
Rahm Emanuel, Mayor



Department of Buildings  
Felicia Davis, Commissioner

TYPE OF BUSINESS <b>COMMERCIAL</b> Other: _____ Name: _____ LIC #: <u>299487</u> Renewal Date: _____ Projects Over: <input checked="" type="checkbox"/> Private Property <input checked="" type="checkbox"/> Public Way Grant Permit #: _____ <input type="checkbox"/> Planned Development/Manufacturing PMD/PD#: _____ Zoning District: <u>B3</u> Other: _____	SIGN BOND REQUIRED? <input checked="" type="checkbox"/> YES COUNCIL ORDER REQUIRED <input checked="" type="checkbox"/> YES IS SPECIAL PERMISSION REQUIRED FROM CHIEF ELECTRICAL <input type="checkbox"/> YES IF YES, ATTACH LETTER OF REQUEST TIME STAMP
TYPE OF SIGN. <input type="checkbox"/> ADVERTISING <input checked="" type="checkbox"/> ILLUMINATE <input type="checkbox"/> MOVEABLE <input checked="" type="checkbox"/> BUSINESS <input type="checkbox"/> FLASHING TOTAL STREET FRONTAGE OF LOT (IN FEET) <u>317</u> TOTAL AREA OF NEW SIGN (SQ FT) <u>266</u> TOTAL AREA OF ALL SIGNS ON LOT (SQ.FT.) <u>1,189</u> HEIGHT OF SIGN ABOVE GRADE (TO TOP) <u>25ft</u> in	SIGN CLERK _____ APPROVED FOR PERMIT _____ REMARKS
DISTANCE OF CURB LINE OUTER EDGE (ft) <u>10</u> DISTANCE OF STRUCTURE INNER EDGE (ft) <u>10</u> DISTANCE FROM (ft): A. PUBLIC PARK (OVER 10 ACRES) <u>1,000</u> B. EXPRESSWAY (IF LESS THAN 1,000 FT.) <u>1,000</u> C. RESIDENCE DISTRICT (ADVERTISING SIGNS ONLY) <u>90</u> IF REPLACEMENT SIGN OR CHANGE OF FACE, WHAT DOES THE EXISTING SIGN READ?  Original Payee: _____  Landmark Hold: <input type="checkbox"/> Status: _____	ZONING (OFFICE USE ONLY)

LED FACE LIT CHANNEL LETTER ON RACEWAY SET HORIZONTAL



B

# ExtraSpaceStorage®

A B SQUARE FEET AMPS NUMBER OF POWER SUPPLIES

5'-0"	53'-2 3/4"	266.00	5.04	8
-------	------------	--------	------	---

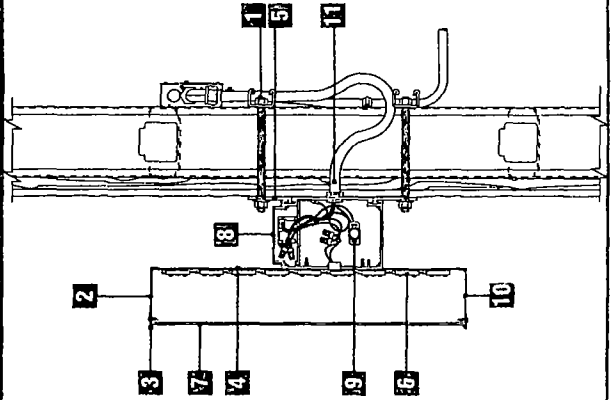
EXPLODED DETAIL



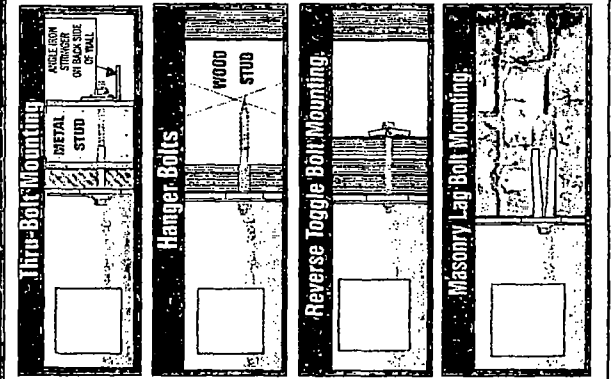
SPECIFICATIONS

- 11 NON-CORROSIVE INSTALLATION HARDWARE: SEE DETAIL
- 2 5" FABRICATED ALUMINUM LETTER RETURNS SEE MFG. NOTE FOR GAUGE. GLOSS BLACK PAINT INTERIOR WITH LIGHT ENHANCING PAINT
- 3 TRIM CAP RETAINER BLACK
- 4 FLAT ALUMINUM BACK
- 5 1/4" THICK METAL FLAT BAR FOR A SECURE INSTALLATION
- 6 US SIGNS APPROVED LED DIODE MODULE WHITE 3/16" #7328 acrylic FACE
- 7 WHITE WITH 1ST SURFACE TRANSLUCENT & PERFORATED VINYL AS SHOWN
- 8 LOW VOLTAGE ELECTRONIC POWER SUPPLY MOUNTED IN A 7 1/2" X 7 1/2" EXTRUDED .050 ALUM. RACEWAY SUPPORT/WIRING BOX PAINTED
- 9 VISIBLE CUT-OFF SWITCH WITH FLIP-UP COVER
- 10 1/4" WEEP HOLES (2) TWO PER LETTER
- 11 GROUNDED WALL PASS-THRU SEALED WATER TIGHT. WHIP ON LEFT SIDE.

SIDE SECTION VIEW



MOUNTING DETAIL



COLOR SCHEDULE

GREEN  
WHITE  
BLACK

#2500-106 BRILLIANT  
PMS BLACK #2500-022

MANUFACTURING NOTES

CHANNEL LETTER SETS SMALLER THAN 48" WILL BE CONSTRUCTED USING .040 ALUMINUM RETURNS & .063 ALUMINUM BACKS

CHANNEL LETTER SETS 48"-71" WILL BE CONSTRUCTED USING .063 ALUMINUM RETURNS & .090 ALUMINUM BACKS



**Houston:**  
**Dallas**

Houston Corporate Office  
5225 Katy Freeway, Suite 350  
Houston, Texas 77007  
713-977-7980  
Fax 713-977-7903

Dallas Regional Office  
2220 San Jacinto Blvd.  
Suite 365  
Denton, Texas 76205  
940-380-9153  
FAX: 940-380-9395



Address: #1650 1807 W. DEVON AVE. CHICAGO IL 60650

City: State: IL 60650

Account Rep: L. AUSTIN

Sales Rep: APPROVALS CLIENT DESIGN PRD. Designer: J. WORNACK

Design No. Us 150600-R2

DATE 01-23-15

Rev. Date 06-03-15

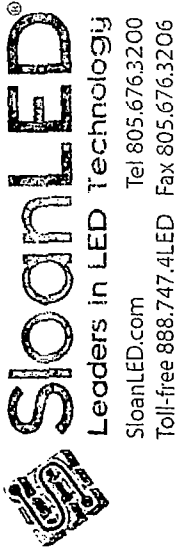
INTERNATIONAL BUSINESS ELECTRONIC CORPORATION  
4000 W. WILSON AVE.  
CHICAGO, IL 60650

9:13

The purchaser agrees to hold the manufacturer harmless against any cause for damage which may occur as a result of drilling for pins and fasteners, including but not limited to beams, and to return the manufacturer's product.

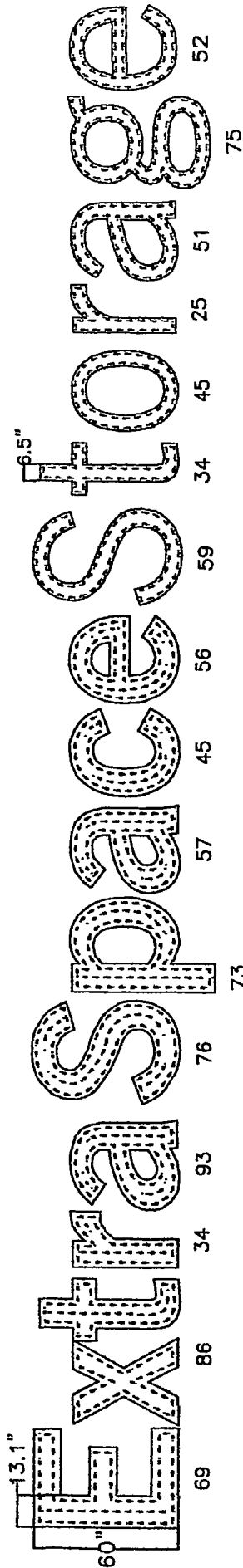
THIS DESIGN AND ENGINEERING IS SUBMITTED AS OUR PROPOSAL, AND THE RIGHT TO USE OR EXHIBIT IN ANY FORM, IS NOT AUTHORIZED WITHOUT WRITTEN PERMISSION BY US SIGNS.





LOCATION - LYNN, MA - SIGN 1&4

- 1) ACTUAL CHANNEL LETTER POPULATION AND PRODUCT PLACEMENT MAY VARY FROM THIS LAYOUT
- 2) a. VL PLUS WHITE 6500K SHORT LAID OUT AT 2.5 MODULES PER FOOT, 5.0" ON CENTER FOR DARK VINYL/ACRYLIC - EXTRA SPACE  
b. VL PLUS WHITE 6500K SHORT LAID OUT AT 2.5 MODULES PER FOOT, 4.0" ON CENTER PERFORATED - STORAGE
- 3) EACH MODULAR 60 POWER SUPPLY CAN RUN UP TO 150 WHITE 6500K SHORT MODULES
- 4) LAYOUT BASED ON A 5" CAN DEPTH
- 5) DIMENSIONS ARE IN INCHES UNLESS STATED OTHERWISE
- 6) 701269-WVLS-MB WATTS PER MODULE: .38
- 7) PRIMARY SYSTEM POWER: 418.50 WATTS
- 8) LED MODULE POWER USAGE(secondary): 334.8 WATTS



RACEWAY MOUNTED POWER SUPPLIES

ESTIMATED PRODUCT B.O.M. PER SIGN:  
 930 Each VL Plus White 6500K Short Modules - - 372'  
 PN: 701269-WVLS-MB  
 8 Each Modular 60 Power Supplies 12VDC  
 1 Each 100' Roll of Jacketed Cable

- 1) This design and drawing are proprietary and the property of SloanLED. Any reproduction or use without prior written approval is prohibited.
- 2) ChannelLED modules and power supply quantities are ESTIMATES ONLY and are based on the supplied information and drawings. Channel letter depth, lens color, material and thickness can vary, which may lead to an increase or decrease in product at the time of installation. To ensure accurate product requirements, it is recommended that product is tested using customer's specific lens material and letter configuration.
- 3) SloanLED highly recommends applying Light Enhancement Paint (LEP) or Light Enhancement Film (LEF) inside channel letters for optimal illumination.
- 4) Jacketed cable estimated assumes maximum run length of 15' per leg of the power supply.

DESIGN	DATE	JOB NUMBER	US SIGNS
KM/SW	8/8/2014	15811	EXTRA SPACE STORAGE