



City of Chicago



O2015-6959

Office of the City Clerk

Document Tracking Sheet

Meeting Date:	9/24/2015
Sponsor(s):	Laurino (39)
Type:	Ordinance
Title:	Grant(s) of privilege in public way for MetroPCS Authorized Dealer
Committee(s) Assignment:	Committee on Transportation and Public Way

ORDINANCE
METROPCS AUTHORIZED DEALER
Acct. No. 392581 - 5
Permit No. 1119487

Be It Ordained by the City Council of the City of Chicago:

SECTION 1. Permission and authority are hereby given and granted to METROPCS AUTHORIZED DEALER, upon the terms and subject to the conditions of this ordinance to maintain and use three (3) sign(s) projecting over the public right-of-way attached to its premises known as 4459 W. Lawrence Ave..

Said sign structure(s) measures as follows; along W. Lawrence Avenue:

Three (3) at nine point nine two (9.92) feet in length, two point four one (2.41) feet in height and ten (10) feet above grade level.

The location of said privilege shall be as shown on prints kept on file with the Department of Business Affairs and Consumer Protection and the Office of the City Clerk.

Said privilege shall be constructed in accordance with plans and specifications approved by the Department of Transportation (Division of Project Development) and Zoning Department - Signs.

This grant of privilege in the public way shall be subject to the provisions of Section 10-28-015 and all other required provisions of the Municipal Code of Chicago.

The grantee shall pay to the City of Chicago as compensation for the privilege #1119487 herein granted the sum of one hundred seventy-five (\$175.00) per annum in advance.

A 25% penalty will be added for payments received after due date.

The permit holder agrees to hold the City of Chicago harmless for any damage, relocation or replacement costs associated with damage, relocation or removal of private property caused by the City performing work in the public way.

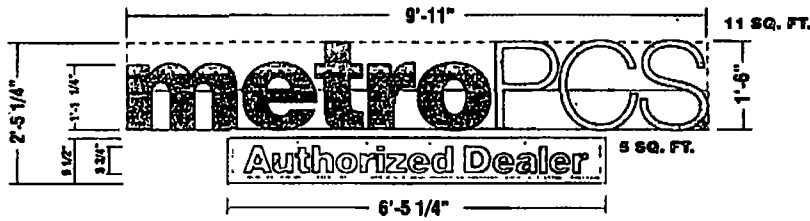
Authority herein given and granted for a period of five (5) years from and after Date of Passage.

Alderman



Margaret Laurino 39th Ward

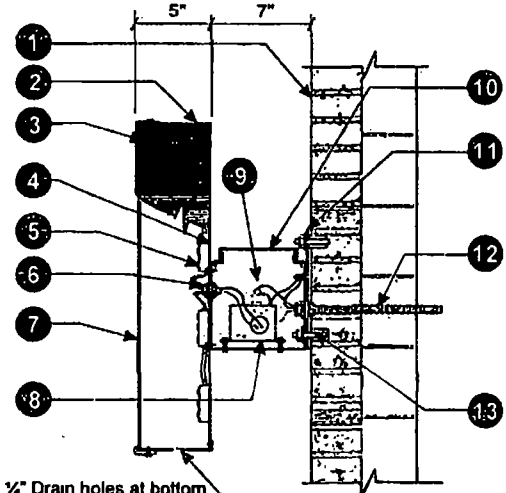
Front-Lit Channel Letters w/ LED Illumination - Raceway Mounted



16 SQ. FT. TOTAL
24 SQ. FT. TOTAL (ENVELOPE METHOD)

Proposed Square Footage of this sign: _____
 Linear feet of store front: _____
 Actual Square Footage Allowed by Village: _____

CHANNEL LETTER - TYPICAL SECTION - FRONT-LIT PLASTIC FACE



Section @ LED Channel Letter
Raceway mount Installation Scale: N.T.S.



ELECTRICAL NOTES
 Sign Company DOES NOT provide primary electrical to sign.
 Power to the sign must be done by a licensed electrical contractor or licensed electrician.
 Each sign must have:
 1. A minimum of one dedicated 120V 20A circuit
 2. Junction box installed within 6 feet of sign
 3. Three wire Line, Ground, Neutral

Specifications: LED Channel Letters

- 1 Existing Facade Concrete Block/ Brck
- 2 0 040" Aluminum letter returns painted to match Black
- 3 0 125" x 1" Black Jewelite trimcap
- 4 040 White Aluminum backing (interior of sign can will be white for maximum illumination)
- 5 Intertone UL approved red LED's
- 6 UL approved flexible conduit connectors
- 7 1/8" Red Acrylite #2283
- 8 UL approved LED transformer (Mean well)
- 9 UL approved waterproof disconnect switch per NEC 600-6
- 10 Aluminum Raceway to match fascia color
11. 1/4" x 2" x 11" Aluminum Bracket
12. UL approved Liquid tight metallic conduit (All penetration will be caulked w/ high grade silicone)
- 13 Mounting hardware to suit (Non-Corrosive)

Electrical Detail: Channel Letters

Mean well CLG-60-12
 (1) 60w Transformers @ 0 80
 Total Amps 0 80
 (1) Minimum of 20 amp 120V Circuit Req.

General Notes:

This sign is to be installed in accordance with the requirements of Article 600 of the National Electrical Code

- 1) Grounded and bonded per NEC 600.7/NEC 250
- 2) Existing branch circuit in compliance with NEC 600 5, not to exceed 20 amps
- 3) Sign is to be UL listed per NEC 600 3
- 4) UL disconnect switch per NEC 600 6- required per sign component before leaving manufacturer*
 *For multiple signs, a disconnect is permitted but not required for each section

5060 N. Kedzie Ave Chicago, IL 60625
 773-267-6007 | sales@tfsigns.com

Client: Metro PCS
 Address: 4459 W Lawrence Ave
 Tel: _____
 Email: _____

Landlord: _____
 Address: _____
 Tel: _____
 Email: _____

Start Date: 00/00/0000
 Last Revision: 00/00/0000
 Job#: 00000
 Drawing#: 00000a v1.s1 / e1
 Page: 1 of 2

Client Approval _____
 Landlord Approval _____

Sales Rep: Seung Park
 Designer: Vernon James
E322358