



Office of the City Clerk



O2012-5114

Office of the City Clerk

City Council Document Tracking Sheet

Meeting Date:	7/25/2012
Sponsor(s):	Thompson, Joann (16)
Type:	Ordinance
Title:	Grant(s) of privilege in public way for Brother's Submarine Inc.
Committee(s) Assignment:	Committee on Transportation and Public Way

ORDINANCE
BROTHER'S SUBMARINE INC
Acct. No. 1564 - 1
Permit No. 1102132

Be It Ordained by the City Council of the City of Chicago:

SECTION 1. Permission and authority are hereby given and granted to BROTHER'S SUBMARINE INC, upon the terms and subject to the conditions of this ordinance to maintain and use three (3) sign(s) projecting over the public right-of-way attached to its premises known as 1158 W. 63rd St..

Said sign structure(s) measures as follows; along WEST 63RD STREET:

One (1) at twenty-three point four two (23.42) feet in length, three point four two (3.42) feet in height and eight (8) feet above grade level.

One (1) at sixteen point four two (16.42) feet in length, three point four two (3.42) feet in height and eight (8) feet above grade level.

One (1) at six (6) feet in length, nine (9) feet in height and eleven point five (11.5) feet above grade level.

The location of said privilege shall be as shown on prints kept on file with the Department of Business Affairs and Consumer Protection and the Office of the City Clerk.

Said privilege shall be constructed in accordance with plans and specifications approved by the Department of Transportation (Division of Project Development) and Zoning Department - Signs.

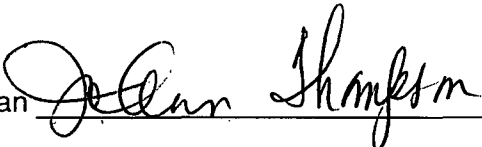
This grant of privilege in the public way shall be subject to the provisions of Section 10-28-015 and all other required provisions of the Municipal Code of Chicago.

The grantee shall pay to the City of Chicago as compensation for the privilege #1102132 herein granted the sum of nine hundred (\$900.00) per annum in advance.

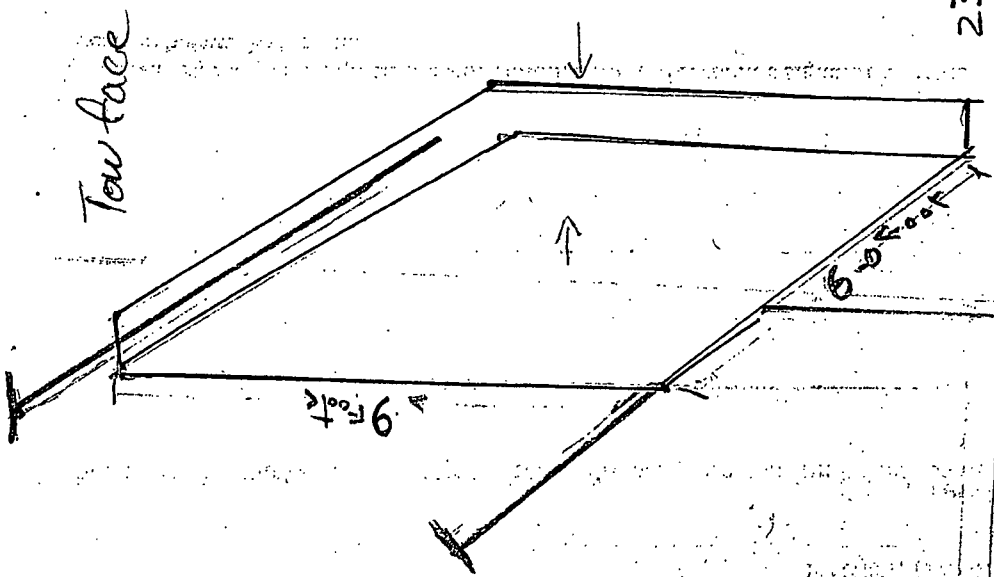
A 25% penalty will be added for payments received after due date.

The permit holder agrees to hold the City of Chicago harmless for any damage, relocation or replacement costs associated with damage, relocation or removal of private property caused by the City performing work in the public way.

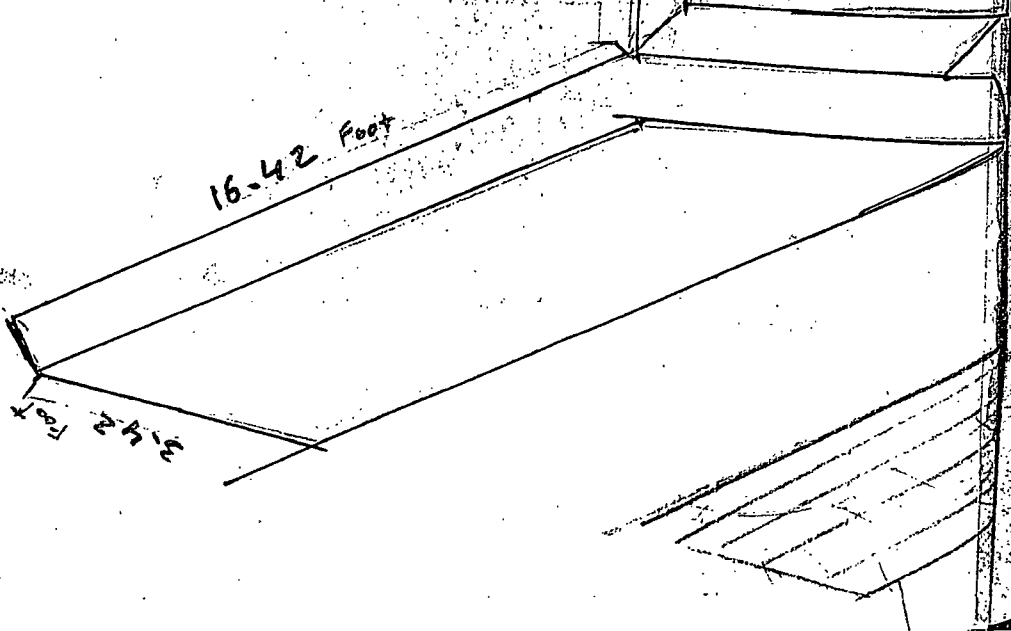
Authority herein given and granted for a period of five (5) years from and after 07/19/2012.

Alderman 
Joann Thompson 16th Ward

3-42



23.42 Foot





07/25/2012

Alderman Joann Thompson
Ward # 16
City of Chicago
City Hall, Room 300
121 North LaSalle Street
Chicago, Illinois 60602

Re: An ordinance to use and maintain a portion of the public right-of-way for **three (3) sign(s)** for **BROTHER'S SUBMARINE INC**, adjacent to the premises known as **1158 W. 63rd St.**.

Dear Alderman **Joann Thompson**:

The applicant referenced above has requested the use of the public right-of-way for a **sign(s)**. An ordinance has been prepared by the Department of Business Affairs and Consumer Protection – Business Assistance Center - Public Way Use Unit for presentation to the City Council. Because this request was made for properties located in your ward, as approved by you as per the attached, I respectfully request that you introduce the attached ordinance at the next City Council meeting.

If you have any questions regarding this ordinance, please contact Anthony Bertuca at (312) 744-5506.

Department of Business Affairs and Consumer Protection