



City of Chicago



O2018-2671

Office of the City Clerk

Document Tracking Sheet

Meeting Date:	3/28/2018
Sponsor(s):	Reboyras (30)
Type:	Ordinance
Title:	Canopy(s) for Polnet Communications Ltd.
Committee(s) Assignment:	Committee on Transportation and Public Way

ORDINANCE
POLNET COMMUNICATIONS LTD
Acct. No. 211719 - 1
Permit No. 1132557

Be It Ordained by the City Council of the City of Chicago:

SECTION 1. Permission and authority are hereby given and granted to POLNET COMMUNICATIONS LTD, upon the terms and subject to the conditions of this ordinance to maintain and use, as now constructed, one (1) Canopy(s) projecting over the public right-of-way adjacent to its premises known as 3656 W. Belmont Ave..

Said Canopy(s) at W. Belmont measure(s):

One (1) at nineteen point five (19.5) feet in length, and fourteen point seven five (14.75) feet in width for a total of two hundred eighty-seven point six three (287.63) square feet.

The location of said privilege shall be as shown on prints kept on file with the Department of Business Affairs and Consumer Protection and the Office of the City Clerk.

Said privilege shall be constructed in accordance with plans and specifications approved by the Zoning Department - Signs.

This grant of privilege in the public way shall be subject to the provisions of Section 10-28-015 and all other required provisions of the Municipal Code of Chicago.

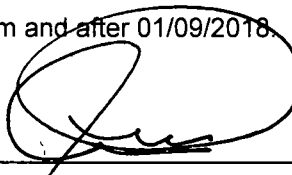
The grantee shall pay to the City of Chicago as compensation for the privilege #1132557 herein granted the sum of fifty (\$50.00) per annum in advance.

A 25% penalty will be added for payments received after due date.

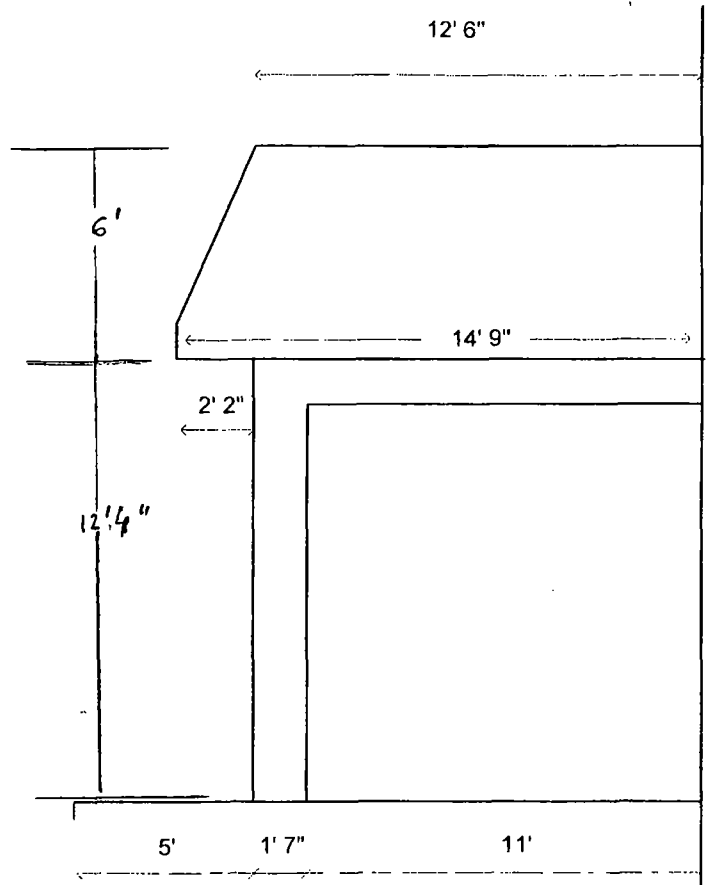
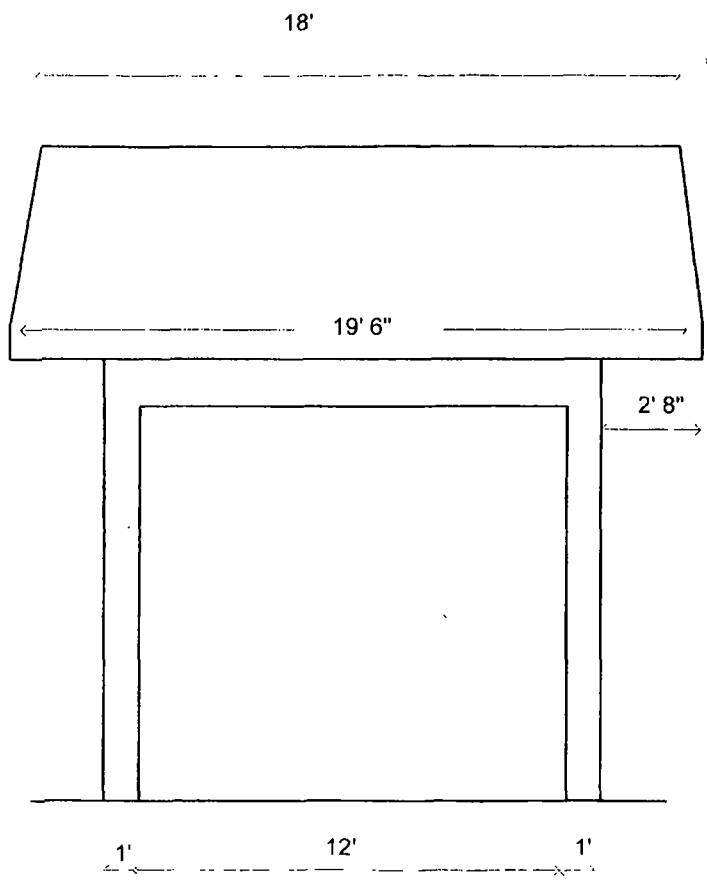
The permit holder agrees to hold the City of Chicago harmless for any damage, relocation or replacement costs associated with damage, relocation or removal of private property caused by the City performing work in the public way.

Authority herein given and granted for a period of five (5) years from and after 01/09/2018.

Alderman _____



Ariel Reboyras 30th Ward



3656 W Belmont
Lawndale Entrance



03/28/2018

Alderman **Ariel Reboyras**
Ward # **30**
City of Chicago
City Hall, Room **300**
121 North LaSalle Street
Chicago, Illinois 60602

Re: An ordinance to use and maintain a portion of the public right-of-way for **one (1) canopy(ies)** for **POLNET COMMUNICATIONS LTD**, adjacent to the premises known as **3656 W. Belmont Ave.**.

Dear Alderman **Ariel Reboyras**:

The applicant referenced above has requested the use of the public right-of-way for a **canopy(ies)**. An ordinance has been prepared by the Department of Business Affairs and Consumer Protection – Small Business Center - Public Way Use Unit for presentation to the City Council. Because this request was made for properties located in your ward, as approved by you as per the attached, I respectfully request that you introduce the attached ordinance at the next City Council meeting.

If you have any questions regarding this ordinance, please contact Anthony Bertuca at (312) 744-5506.

Department of Business Affairs and Consumer Protection