



City of Chicago



O2016-6843

Office of the City Clerk

Document Tracking Sheet

Meeting Date: 9/14/2016

Sponsor(s): Laurino (39)

Type: Ordinance

Title: Grant(s) of privilege in public way for Verizon Wireless -
3944 W Argyle St

Committee(s) Assignment: Committee on Transportation and Public Way

ORDINANCE

Verizon Wireless

Acct. No. 207988 - 43

Permit No. 1120787

Be It Ordained by the City Council of the City of Chicago:

SECTION 1. Permission and authority are hereby given and granted to Verizon Wireless, upon the terms and subject to the conditions of this ordinance to construct, install, maintain and use Occupation of Space (Cell antenna System) projecting over the public right-of-way adjacent to its premises known as 3944 W. Argyle St..

Said Occupation of Space (Cell Antenna system) at W. Argyle measure(s):

One (1) at two point two five (2.25) feet in length, and two (2) feet in width for a total of four point five (4.5) square feet. Cell antenna system shall be approximately thirty-two (32) feet above grade level.

The location of said privilege shall be as shown on prints kept on file with the Department of Business Affairs and Consumer Protection and the Office of the City Clerk.

Said privilege shall be constructed in accordance with plans and specifications approved by the Department of Planning and Development, Department of Transportation (Division of Project Development), and Department of Transportation (Office of Underground Coordination).

This grant of privilege in the public way shall be subject to the provisions of Section 10-28-015 and all other required provisions of the Municipal Code of Chicago.

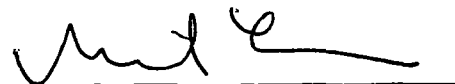
The grantee shall pay to the City of Chicago as compensation for the privilege #1120787 herein granted the sum of four hundred (\$400.00) per annum in advance.

A 25% penalty will be added for payments received after due date.

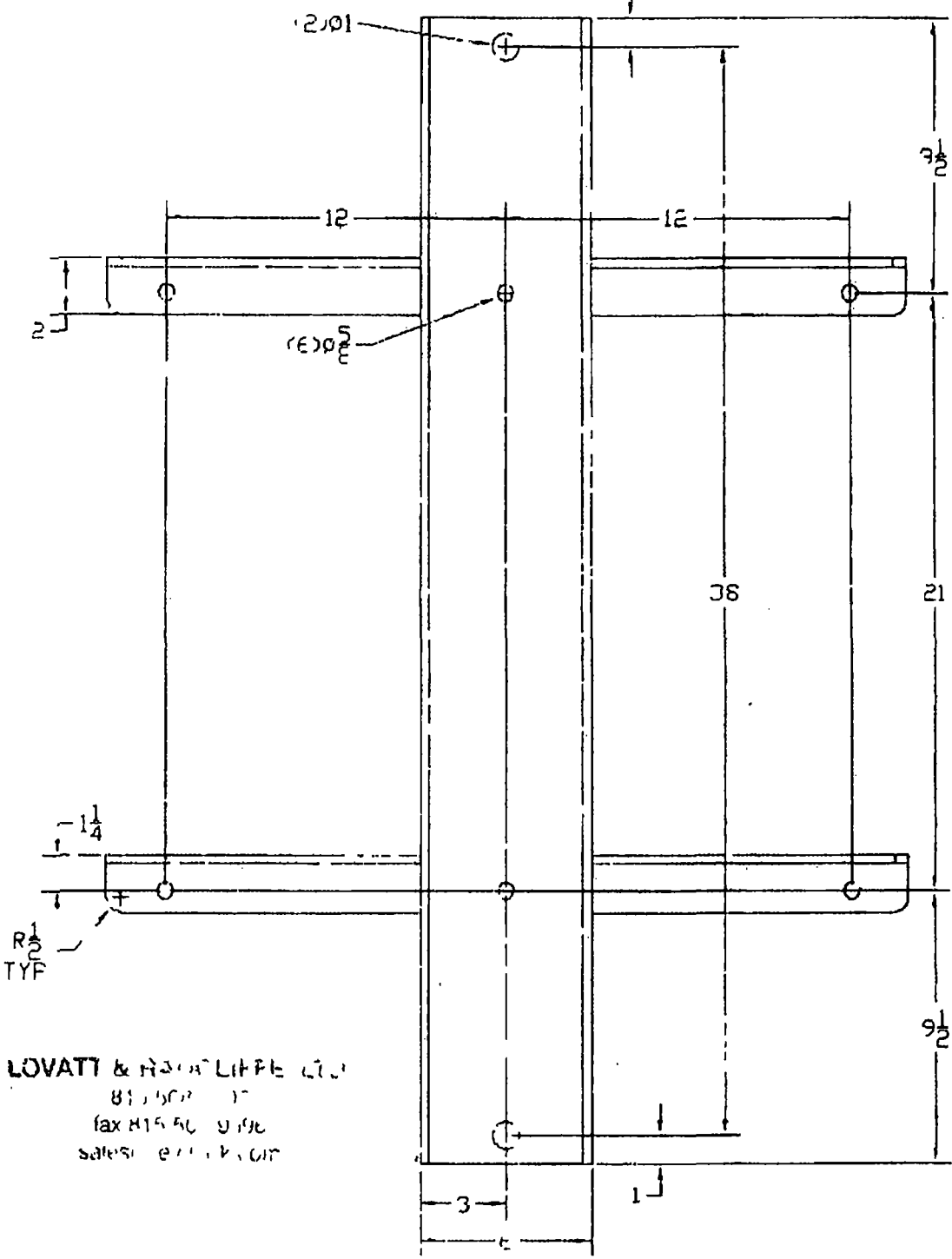
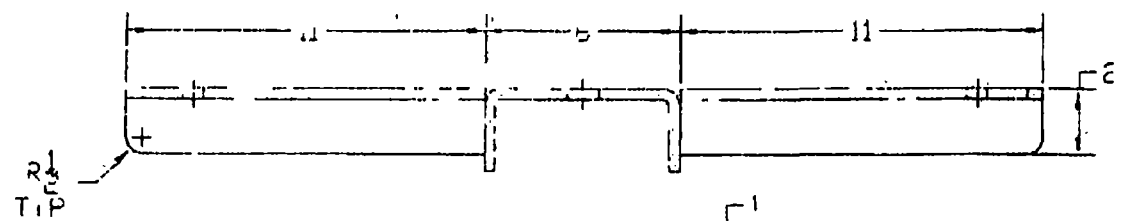
The permit holder agrees to hold the City of Chicago harmless for any damage, relocation or replacement costs associated with damage, relocation or removal of private property caused by the City performing work in the public way.

Authority herein given and granted for a period of five (5) years from and after Date of Passage.

Alderman



Margaret Laurino 39th Ward



LOVATT & RICHARD LITTLE LTD
81, YORK ST
fax 01556 0196
sales@erick.com