



Office of the City Clerk



O2012-8420

Office of the City Clerk

City Council Document Tracking Sheet

Meeting Date:	12/12/2012
Sponsor(s):	Balcer, James (11)
Type:	Ordinance
Title:	Awning(s) for Trend Salon
Committee(s) Assignment:	Committee on Transportation and Public Way

ORDINANCE
TREND SALON
Acct. No. 375928 - 1
Permit No. 1103185

Be It Ordained by the City Council of the City of Chicago:

SECTION 1. Permission and authority are hereby given and granted to TREND SALON, upon the terms and subject to the conditions of this ordinance to construct, install, maintain and use one (1) Awning(s) projecting over the public right-of-way adjacent to its premises known as 262 W. 26th St..

Said Awning(s) at W 26th St measure(s):

One (1) at nineteen point three three (19.33) feet in length, and two point three three (2.33) feet in width for a total of forty-five point zero four (45.04) square feet.

The location of said privilege shall be as shown on prints kept on file with the Department of Business Affairs and Consumer Protection and the Office of the City Clerk.

Said privilege shall be constructed in accordance with plans and specifications approved by the Zoning Department - Signs.

This grant of privilege in the public way shall be subject to the provisions of Section 10-28-015 and all other required provisions of the Municipal Code of Chicago.

The grantee shall pay to the City of Chicago as compensation for the privilege #1103185 herein granted the sum of fifty (\$50.00) per annum in advance.

A 25% penalty will be added for payments received after due date.

The permit holder agrees to hold the City of Chicago harmless for any damage, relocation or replacement costs associated with damage, relocation or removal of private property caused by the City performing work in the public way.

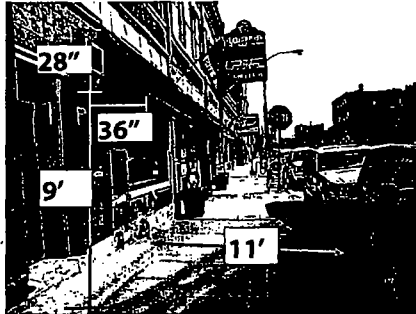
Authority herein given and granted for a period of five (5) years from and after Date of Passage.

Alderman James A. Balcer
James A. Balcer 11th Ward

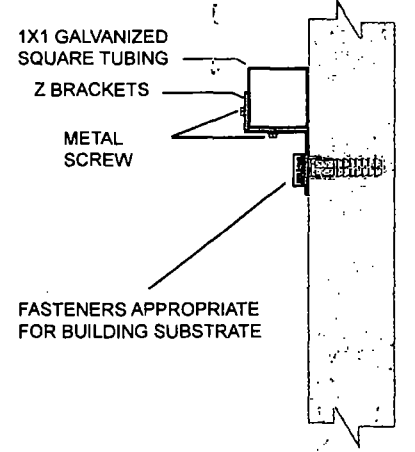
(Awning)



SIDE WALK VIEW



METHOD OF ATTACHMENT



SIGNATURE

 LANDLORD

 Phone

 TENANT


DATE

Site Address	262 w 26th ST. Chicago,IL	
Sign Type	Awning	
Physical Information	Lettering Color	Fabric Color
	White	Black

Client: Trend Salon	Drawing #:
Approved:	Sales:
Date: 9-18-12	Rev Date:

All sign designs and concepts shown here are confidential and are the property of MONSIBIC. They are not to be distributed, exhibited, copied, or otherwise used without our written permission.

COMPUTER GENERATED COLORS ARE NOT A TRUE MATCH TO ANY PMS, VINYL, OR PAINT





12/12/2012

Alderman James A. Balcer
Ward # 11
City of Chicago
City Hall, Room 203
121 North LaSalle Street
Chicago, Illinois 60602

Re: An ordinance to use and maintain a portion of the public right-of-way for **one (1) awning(s)** for **TREND SALON**, adjacent to the premises known as **262 W. 26th St.**

Dear Alderman **James A. Balcer**:

The applicant referenced above has requested the use of the public right-of-way for a **awning(s)**. An ordinance has been prepared by the Department of Business Affairs and Consumer Protection – Business Assistance Center - Public Way Use Unit for presentation to the City Council. Because this request was made for properties located in your ward, as approved by you as per the attached, I respectfully request that you introduce the attached ordinance at the next City Council meeting.

If you have any questions regarding this ordinance, please contact Anthony Bertuca at (312) 744-5506.

Department of Business Affairs and Consumer Protection