



City of Chicago



O2018-8906

Office of the City Clerk

Document Tracking Sheet

Meeting Date:	11/7/2018
Sponsor(s):	Hopkins (2)
Type:	Ordinance
Title:	Awning(s) for Chicago Center For the Print
Committee(s) Assignment:	Committee on Transportation and Public Way

ORDINANCE
CHICAGO CENTER FOR THE PRINT
Acct. No. 47437 - 2
Permit No. 1134892

Be It Ordained by the City Council of the City of Chicago:

SECTION 1. Permission and authority are hereby given and granted to CHICAGO CENTER FOR THE PRINT, upon the terms and subject to the conditions of this ordinance to construct, install, maintain and use one (1) Awning(s) projecting over the public right-of-way adjacent to its premises known as 1451 W. Fullerton Ave..

Said Awning(s) at W. FULLETON AVENUE measure(s):

One (1) at nineteen (19) feet in length, and three point three three (3.33) feet in width for a total of sixty-three point two seven (63.27) square feet.

The location of said privilege shall be as shown on prints kept on file with the Department of Business Affairs and Consumer Protection and the Office of the City Clerk.

Said privilege shall be constructed in accordance with plans and specifications approved by the Zoning Department - Signs.

This grant of privilege in the public way shall be subject to the provisions of Section 10-28-015 and all other required provisions of the Municipal Code of Chicago.

The grantee shall pay to the City of Chicago as compensation for the privilege #1134892 herein granted the sum of fifty (\$50.00) per annum in advance.

A 25% penalty will be added for payments received after due date.

The permit holder agrees to hold the City of Chicago harmless for any damage, relocation or replacement costs associated with damage, relocation or removal of private property caused by the City performing work in the public way.

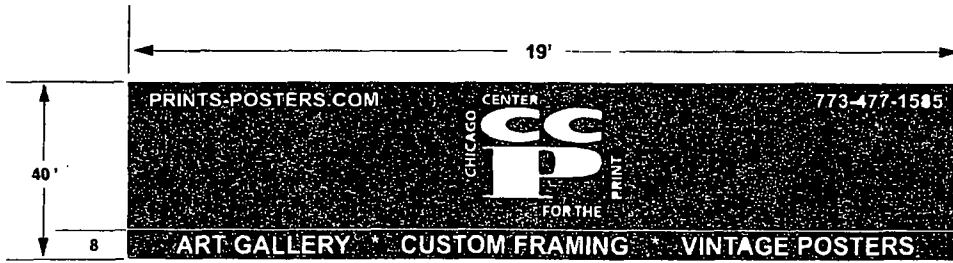
Authority herein given and granted for a period of five (5) years from and after Date of Passage.

Alderman _____



Brian Hopkins 2nd Ward

Awning Design



Universal Awnings
 23- N Cicero Ave Chicago IL 60651
 P 773-887-3935
 Email: univaw_awning@yahoo.com

JOB NAME
Chicago Center 4 Print

LOCATION
1509 W Fullerton Ave
Chicago IL
Tel 773-477 1585

CUSTOMER CONTACT
Richard / Owner

SALESMAN / PM
Javier / Salesman

DESIGNER
Dave Bou

DWG. DATE
06-06-2018

REV. DATE / REVISION

06-07-2018
06-11-2018
06-12-2018
06-13-2018
06-13-2018
06-14-2018

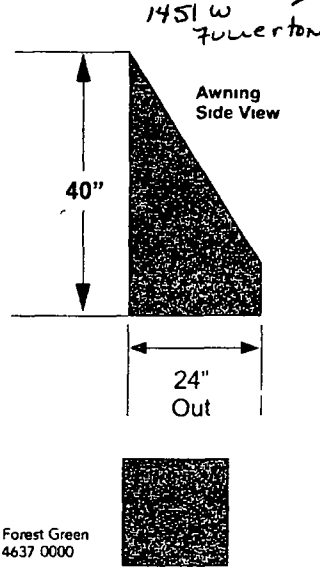
JOB DESCRIPTION
New Awning

FILE
1509 W Fullerton Ave
Chicago IL
Tel 773-477 1585

DESIGN SPECIFICATIONS ACCEPTED BY:

EST 4013

DATE 6/14/2018



Please Approve the Design and email it back

Customer Approval Signature: *Richard H. Kaswin* Date: *6/14/2018*



11/07/2018

Alderman **Brian Hopkins**
Ward # **02**
City of Chicago
City Hall, Room **200**
121 North LaSalle Street
Chicago, Illinois 60602

Re: An ordinance to use and maintain a portion of the public right-of-way for **one (1) awning(s)** for **CHICAGO CENTER FOR THE PRINT**, adjacent to the premises known as **1451 W. Fullerton Ave.**

Dear Alderman **Brian Hopkins**:

The applicant referenced above has requested the use of the public right-of-way for a **awning(s)**. An ordinance has been prepared by the Department of Business Affairs and Consumer Protection – Small Business Center - Public Way Use Unit for presentation to the City Council. Because this request was made for properties located in your ward, as approved by you as per the attached, I respectfully request that you introduce the attached ordinance at the next City Council meeting.

If you have any questions regarding this ordinance, please contact Anthony Bertuca at (312) 744-5506.

Department of Business Affairs and Consumer Protection