



# City of Chicago



O2018-487

Office of the City Clerk

## Document Tracking Sheet

<b>Meeting Date:</b>	1/17/2018
<b>Sponsor(s):</b>	Burnett (27)
<b>Type:</b>	Ordinance
<b>Title:</b>	Grant(s) of privilege in public way for Carpenter Morgan Venture LLC
<b>Committee(s) Assignment:</b>	Committee on Transportation and Public Way

ORDINANCE  
CARPENTER MORGAN VENTURE, LLC  
Acct. No. 405222 - 1  
Permit No. 1122750

*Be It Ordained by the City Council of the City of Chicago:*

SECTION 1. Permission and authority are hereby given and granted to CARPENTER MORGAN VENTURE, LLC, upon the terms and subject to the conditions of this ordinance to maintain and use one (1) sign(s) projecting over the public right-of-way attached to its premises known as 413 N. Carpenter St..

Said sign structure(s) measures as follows; along N. Carpenter Street:

One (1) at two (2) feet in length, two (2) feet in height and eleven point seven five (11.75) feet above grade level.

The location of said privilege shall be as shown on prints kept on file with the Department of Business Affairs and Consumer Protection and the Office of the City Clerk.

Said privilege shall be constructed in accordance with plans and specifications approved by the Department of Transportation (Division of Project Development) and Zoning Department - Signs.

This grant of privilege in the public way shall be subject to the provisions of Section 10-28-015 and all other required provisions of the Municipal Code of Chicago.

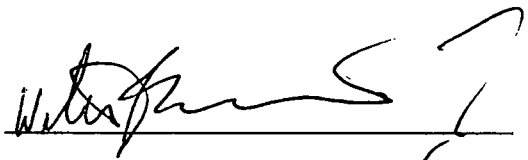
The grantee shall pay to the City of Chicago as compensation for the privilege #1122750 herein granted the sum of one hundred (\$100.00) per annum in advance.

A 25% penalty will be added for payments received after due date.

The permit holder agrees to hold the City of Chicago harmless for any damage, relocation or replacement costs associated with damage, relocation or removal of private property caused by the City performing work in the public way.

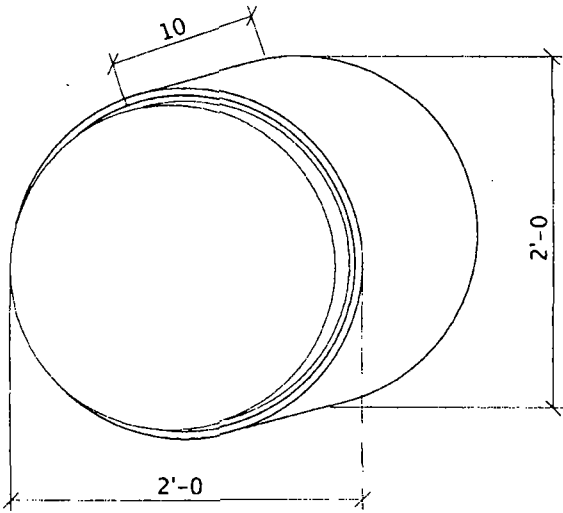
Authority herein given and granted for a period of five (5) years from and after Date of Passage.

Alderman

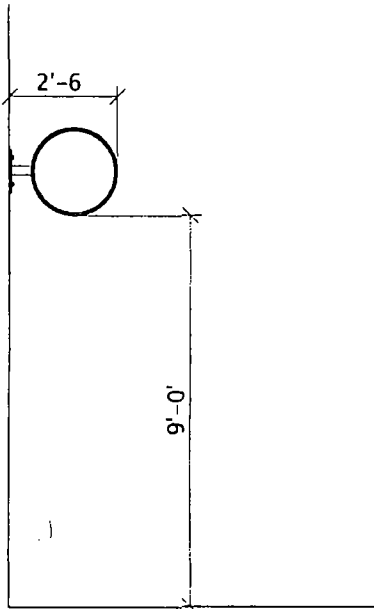


Walter Burnett Jr. 27<sup>th</sup> Ward





**1 SIGN DIMENSIONS**



**2 SIGN LOCATION**

