



City of Chicago



O2014-9947

Office of the City Clerk

Document Tracking Sheet

Meeting Date:	12/10/2014
Sponsor(s):	Smith (43)
Type:	Ordinance
Title:	Awning(s) for Sushi Para Too
Committee(s) Assignment:	Committee on Transportation and Public Way

ORDINANCE
SUSHI PARA TOO
Acct. No. 288997 - 3
Permit No. 1115119

Be It Ordained by the City Council of the City of Chicago:

SECTION 1. Permission and authority are hereby given and granted to SUSHI PARA TOO, upon the terms and subject to the conditions of this ordinance to construct, install, maintain and use one (1) Awning(s) projecting over the public right-of-way adjacent to its premises known as 2258 N. Clark St..

Said Awning(s) at N. Clark measure(s):

One (1) at nineteen point two five (19.25) feet in length, and three (3) feet in width for a total of fifty-seven point seven five (57.75) square feet.

The location of said privilege shall be as shown on prints kept on file with the Department of Business Affairs and Consumer Protection and the Office of the City Clerk.

Said privilege shall be constructed in accordance with plans and specifications approved by the Zoning Department - Signs.


This grant of privilege in the public way shall be subject to the provisions of Section 10-28-015 and all other required provisions of the Municipal Code of Chicago.

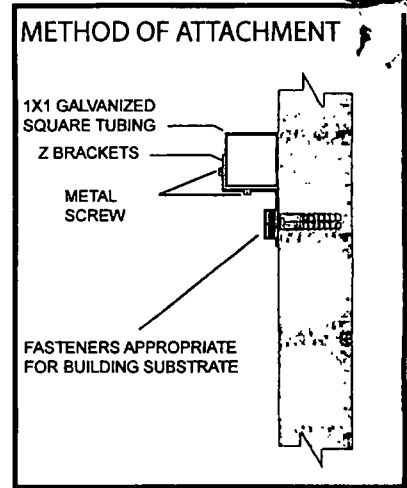
The grantee shall pay to the City of Chicago as compensation for the privilege #1115119 herein granted the sum of fifty (\$50.00) per annum in advance.

A 25% penalty will be added for payments received after due date.

The permit holder agrees to hold the City of Chicago harmless for any damage, relocation or replacement costs associated with damage, relocation or removal of private property caused by the City performing work in the public way.

Authority herein given and granted for a period of five (5) years from and after Date of Passage.

Alderman 
Michele Smith 43rd Ward



SIGNATURE


 LANDLORD

 Phone

 TENANT

DATE _____

Site Address	2258 N Clark St			
Sign Type	Awning			

Client: Sushi Para too		Drawing #:		All sign designs and concepts shown here are confidential and are the property of Monsibic, Inc. They are not to be distributed, exhibited, copied, or otherwise used without our written permission. COMPUTER GENERATED COLORS ARE NOT A TRUE MATCH TO ANY PMS, VINYL, OR PAINT.  3401 S Halsted St, Chicago, IL TEL 773-847-2828 Fax 773-847-0088
Approved:	Sales:	Date:	07-09-14	
Scale: 1":32"	Drawn by:	Rev Date:		