



City of Chicago



O2016-3186

Office of the City Clerk

Document Tracking Sheet

Meeting Date:	4/13/2016
Sponsor(s):	Waguespack (32)
Type:	Ordinance
Title:	Grant(s) of privilege in public way for Irazu, Inc.
Committee(s) Assignment:	Committee on Transportation and Public Way

ORDINANCE
IRAZU INC
Acct. No. 23764 - 2
Permit No. 1121879

Be It Ordained by the City Council of the City of Chicago:

SECTION 1. Permission and authority are hereby given and granted to IRAZU INC, upon the terms and subject to the conditions of this ordinance to construct, install, maintain and use six (6) Window & Frame(s) projecting over the public right-of-way adjacent to its premises known as 1865 N. Milwaukee Ave..

Said Window & Frame(s) at N Milwaukee Ave measure(s):

One (1) at ten point five (10.5) feet in length, and three (3) feet in width for a total of thirty-one point five (31.5) square feet.

One (1) at seven (7) feet in length, and three (3) feet in width for a total of twenty-one (21) square feet.

One (1) at seventeen point four two (17.42) feet in length, and three (3) feet in width for a total of fifty-two point two six (52.26) square feet.

One (1) at nine point zero eight (9.08) feet in length, and three (3) feet in width for a total of twenty-seven point two four (27.24) square feet.

Said Window & Frame(s) at N Oakley Ave measure(s):

One (1) at thirteen point five eight (13.58) feet in length, and three (3) feet in width for a total of forty point seven four (40.74) square feet.

One (1) at eighteen point eight three (18.83) feet in length, and three (3) feet in width for a total of fifty-six point four nine (56.49) square feet.

The location of said privilege shall be as shown on prints kept on file with the Department of Business Affairs and Consumer Protection and the Office of the City Clerk.

Said privilege shall be constructed in accordance with plans and specifications approved by the Department of Planning and Development and Department of Transportation (Division of Project Development).

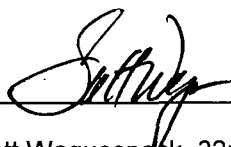
This grant of privilege in the public way shall be subject to the provisions of Section 10-28-015 and all other required provisions of the Municipal Code of Chicago.

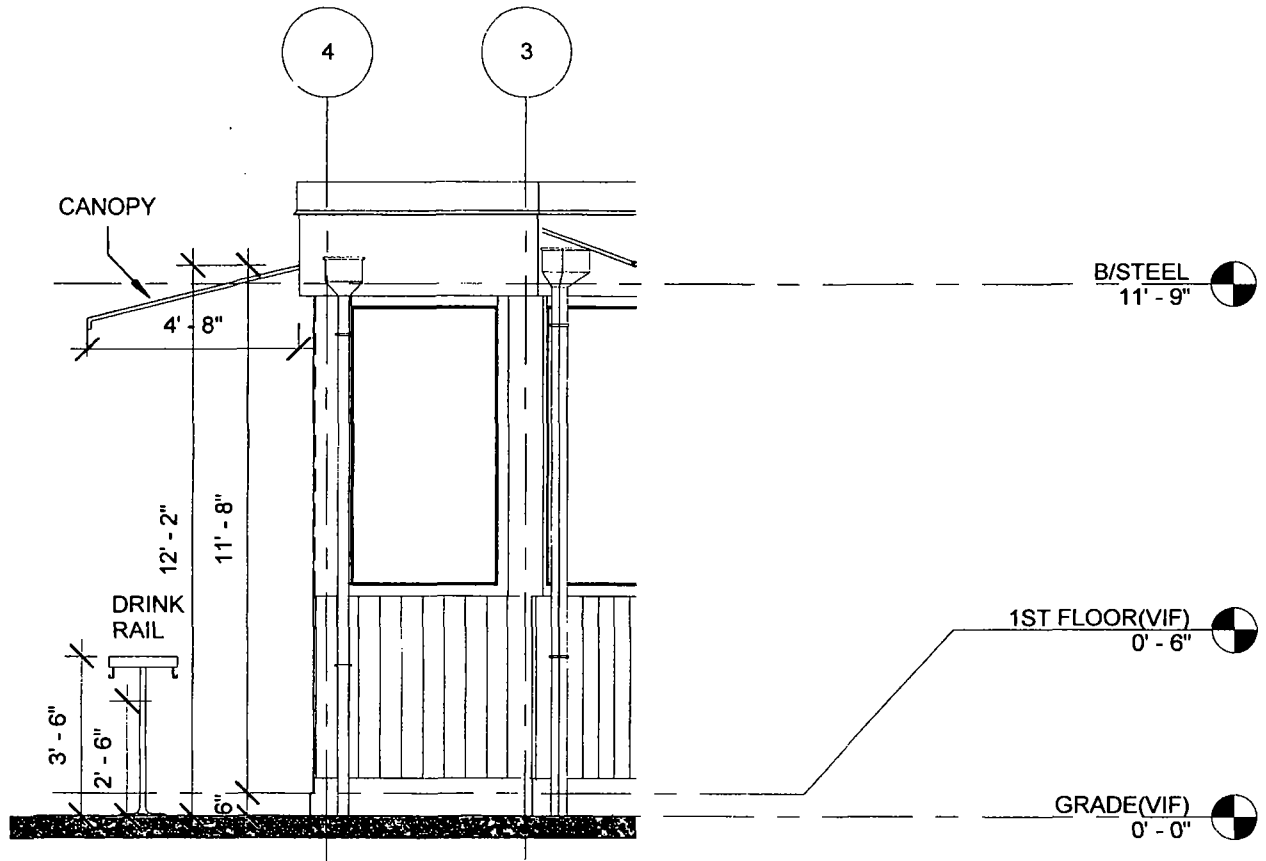
The grantee shall pay to the City of Chicago as compensation for the privilege #1121879 herein granted the sum of two thousand four hundred (\$2,400.00) per annum in advance.

A 25% penalty will be added for payments received after due date.

The permit holder agrees to hold the City of Chicago harmless for any damage, relocation or replacement costs associated with damage, relocation or removal of private property caused by the City performing work in the public way.

Authority herein given and granted for a period of five (5) years from and after Date of Passage.

Alderman  _____
Scott Waguespack 32nd Ward





04/13/2016

Alderman Scott Waguespack
Ward # 32
City of Chicago
City Hall, Room 300
121 North LaSalle Street
Chicago, Illinois 60602

Re: An ordinance to use and maintain a portion of the public right-of-way for six (6) **window & frame(s)** for **IRAZU INC**, adjacent to the premises known as **1865 N. Milwaukee Ave.** .

Dear Alderman **Scott Waguespack**:

The applicant referenced above has requested the use of the public right-of-way for a **window & frame(s)**. An ordinance has been prepared by the Department of Business Affairs and Consumer Protection – Small Business Center - Public Way Use Unit for presentation to the City Council. Because this request was made for properties located in your ward, as approved by you as per the attached, I respectfully request that you introduce the attached ordinance at the next City Council meeting.

If you have any questions regarding this ordinance, please contact Anthony Bertuca at (312) 744-5506.

Department of Business Affairs and Consumer Protection