



# City of Chicago



O2021-5532

Office of the City Clerk

## Document Tracking Sheet

<b>Meeting Date:</b>	12/15/2021
<b>Sponsor(s):</b>	La Spata (1)
<b>Type:</b>	Ordinance
<b>Title:</b>	Grant(s) of privilege in public way for Taqueria Chingon LLC
<b>Committee(s) Assignment:</b>	Committee on Transportation and Public Way

ORDINANCE

Taqueria Chingon LLC

Acct. No.: 471631 - 1

Permit No: BACP1608048

*Be It Ordained by the City Council of the City of Chicago:*

SECTION 1. Permission and authority are hereby given and granted to Taqueria Chingon LLC upon the terms and subject to the conditions of this ordinance to construct, install, maintain and use two (2) Light Fixture(s) projecting over the public right-of-way adjacent to its premises known as 2234 N WESTERN AV

Said Light Fixture(s) at 2234 N Western Avenue measure(s):

Two (2) at six (6) feet in length, one point eight (1.8) feet in width and twelve (12) feet above grade level.

The location of said privilege shall be as shown on prints kept on file with the Department of Business Affairs and Consumer Protection and the Office of the City Clerk.

Said privilege shall be constructed in accordance with plans and specifications approved by the Department of Transportation (Division of Project Development).

This grant of privilege in the public way shall be subject to the provisions of Section 10-28-015 and all other required provisions of the Municipal Code of Chicago.

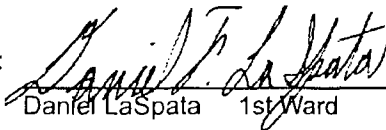
The grantee shall pay to the City of Chicago as compensation for the privilege #BACP1608048 herein granted the sum of eighty (\$80.00) per annum in advance.

A 25% penalty will be added for payments received after due date.

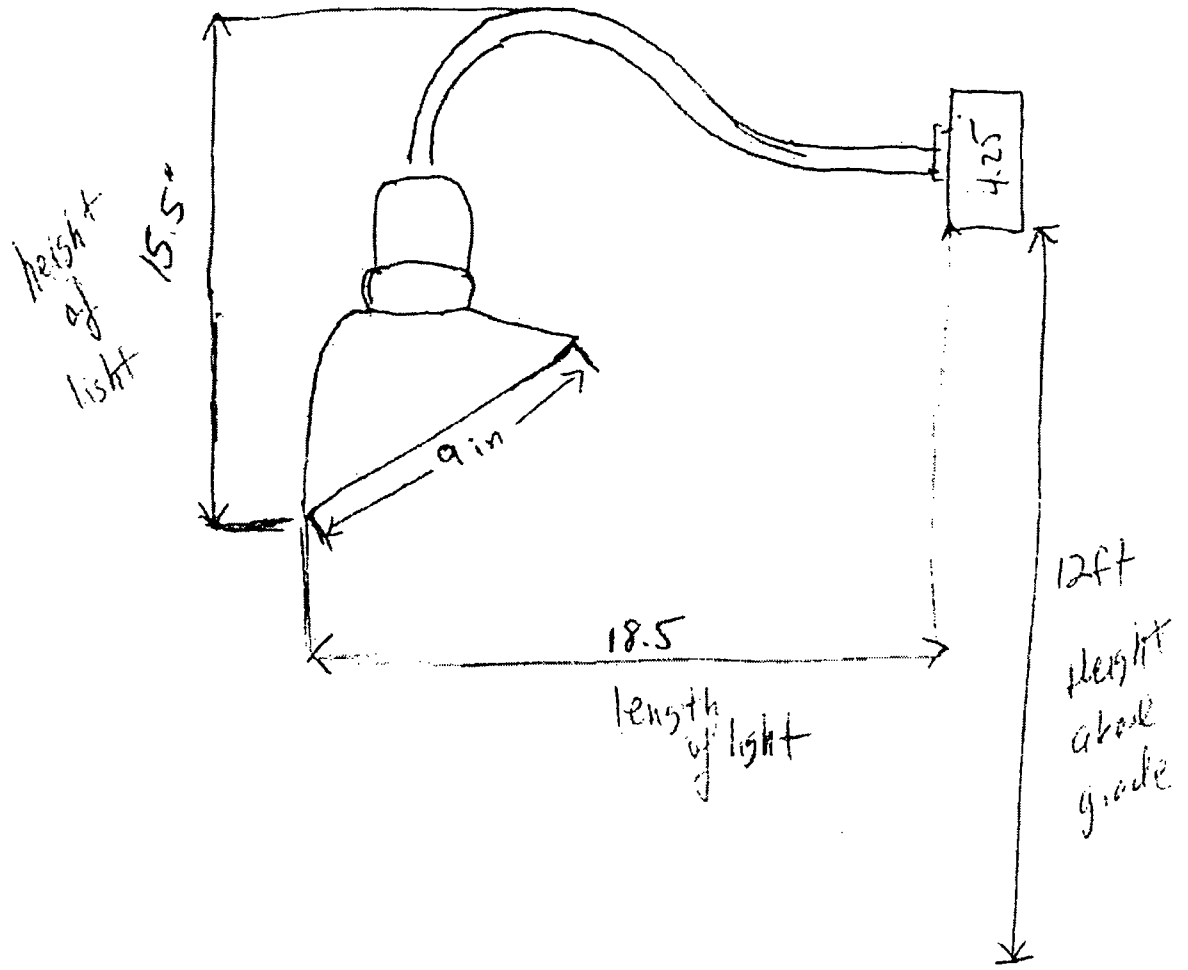
The permit holder agrees to hold the City of Chicago harmless for any damage, relocation or replacement costs associated with damage, relocation or removal of private property caused by the City performing work in the public way.

Authority herein given and granted for a period of five (5) years from and after 06/22/2021.

Alderman:

  
Daniel LaSpata 1st Ward

Taguena Chirson  
2234 N Western Ave





Department of Business Affairs and Consumer Protection  
Small Business Center - Public Way Use Unit  
City Hall - 121 N. LaSalle Street, Room 800, Chicago, IL 60602  
312-74-GOBIZ / 312-744-6249 • (312) 744-1944 (TTY)  
<http://www.cityofchicago.org/bacp>

12/15/2021

Alderman Daniel LaSpata  
Ward # 01  
City of Chicago  
City Hall, Room 800  
121 N. LaSalle Street  
Chicago, IL 60602

Re: An ordinance to use and maintain a portion of the public right-of-way for **2 Light Fixture(s)** for **Taqueria Chingon LLC**, adjacent to the premises known as **2234 N WESTERN AVE.**

Dear Alderman **Daniel LaSpata**:

The applicant referenced above has requested the use of the public right-of-way for **Light Fixture(s)**. An ordinance has been prepared by the Department of Business Affairs and Consumer Protection - Small Business Center - Public Way Use Unit for presentation to the City Council. Because this request was made for properties located in your ward, as approved by you as per the attached, I respectfully request that you introduce the attached ordinance at the next City Council meeting.

If you have any questions regarding this ordinance, please contact Jaime Viramontes at (312) 744-8068.

**Department of Business Affairs and Consumer Protection**