



City of Chicago



O2016-2090

Office of the City Clerk

Document Tracking Sheet

Meeting Date:	3/16/2016
Sponsor(s):	Tunney (44)
Type:	Ordinance
Title:	Awning(s) for Be Realty LLC
Committee(s) Assignment:	Committee on Transportation and Public Way

ORDINANCE
BE REALTY, LLC
Acct. No. 403212 - 1
Permit No. 1121044

Be It Ordained by the City Council of the City of Chicago:

SECTION 1. Permission and authority are hereby given and granted to BE REALTY, LLC, upon the terms and subject to the conditions of this ordinance to construct, install, maintain and use one (1) Awning(s) projecting over the public right-of-way adjacent to its premises known as 3355 N. Clark St..

Said Awning(s) at N. Clark Street measure(s):

One (1) at seventeen point two five (17.25) feet in length, and three (3) feet in width for a total of fifty-one point seven five (51.75) square feet.

The location of said privilege shall be as shown on prints kept on file with the Department of Business Affairs and Consumer Protection and the Office of the City Clerk.

Said privilege shall be constructed in accordance with plans and specifications approved by the Zoning Department - Signs.

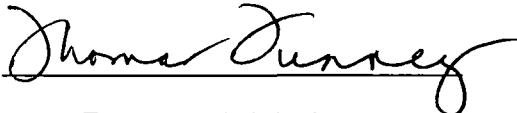
This grant of privilege in the public way shall be subject to the provisions of Section 10-28-015 and all other required provisions of the Municipal Code of Chicago.

The grantee shall pay to the City of Chicago as compensation for the privilege #1121044 herein granted the sum of fifty (\$50.00) per annum in advance.

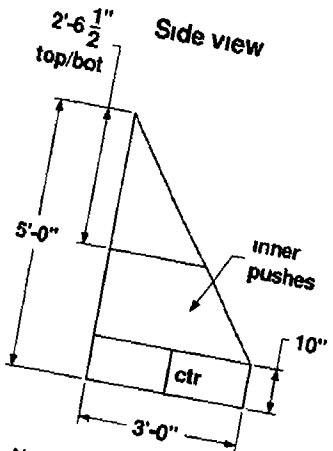
A 25% penalty will be added for payments received after due date.

The permit holder agrees to hold the City of Chicago harmless for any damage, relocation or replacement costs associated with damage, relocation or removal of private property caused by the City performing work in the public way.

Authority herein given and granted for a period of five (5) years from and after Date of Passage.

Alderman 
Thomas Tunney 44th Ward

Job # 725837
 Be Realty



- Notes
- alum staple frame (1)
 - tubing as noted
 - (2) cutouts
 - silver frame finish

