



City of Chicago



O2014-9013

Office of the City Clerk

Document Tracking Sheet

| | |
|---------------------------------|--|
| Meeting Date: | 11/5/2014 |
| Sponsor(s): | Fioretti (2) |
| Type: | Ordinance |
| Title: | Grant(s) of privilege in public way for Go Grocers Chicago |
| Committee(s) Assignment: | Committee on Transportation and Public Way |

ORDINANCE
GO GROCERS CHICAGO
Acct. No. 337628 - 3
Permit No. 1114752

Be It Ordained by the City Council of the City of Chicago:

SECTION 1. Permission and authority are hereby given and granted to GO GROCERS CHICAGO, upon the terms and subject to the conditions of this ordinance to construct, install, maintain and use one (1) Wind Screen(s) on the public right-of-way adjacent to its premises known as 1259 S. Michigan Ave..

Said Wind Screen(s) at S. Michigan Avenue measure(s):

One (1) at ten point five (10.5) feet in length, and five (5) feet in width for a total of fifty-two point five (52.5) square feet.

The location of said privilege shall be as shown on prints kept on file with the Department of Business Affairs and Consumer Protection and the Office of the City Clerk.

Said privilege shall be constructed in accordance with plans and specifications approved by the Department of Transportation (Division of Project Development).

This grant of privilege in the public way shall be subject to the provisions of Section 10-28-015 and all other required provisions of the Municipal Code of Chicago.

The grantee shall pay to the City of Chicago as compensation for the privilege #1114752 herein granted the sum of four hundred (\$400.00) per annum in advance.

A 25% penalty will be added for payments received after due date.

The permit holder agrees to hold the City of Chicago harmless for any damage, relocation or replacement costs associated with damage, relocation or removal of private property caused by the City performing work in the public way.

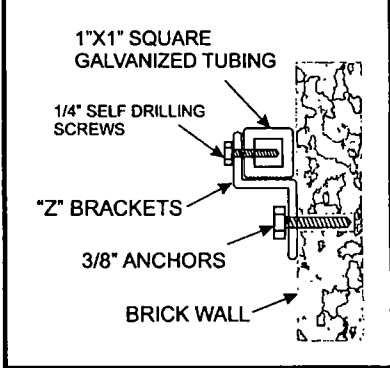
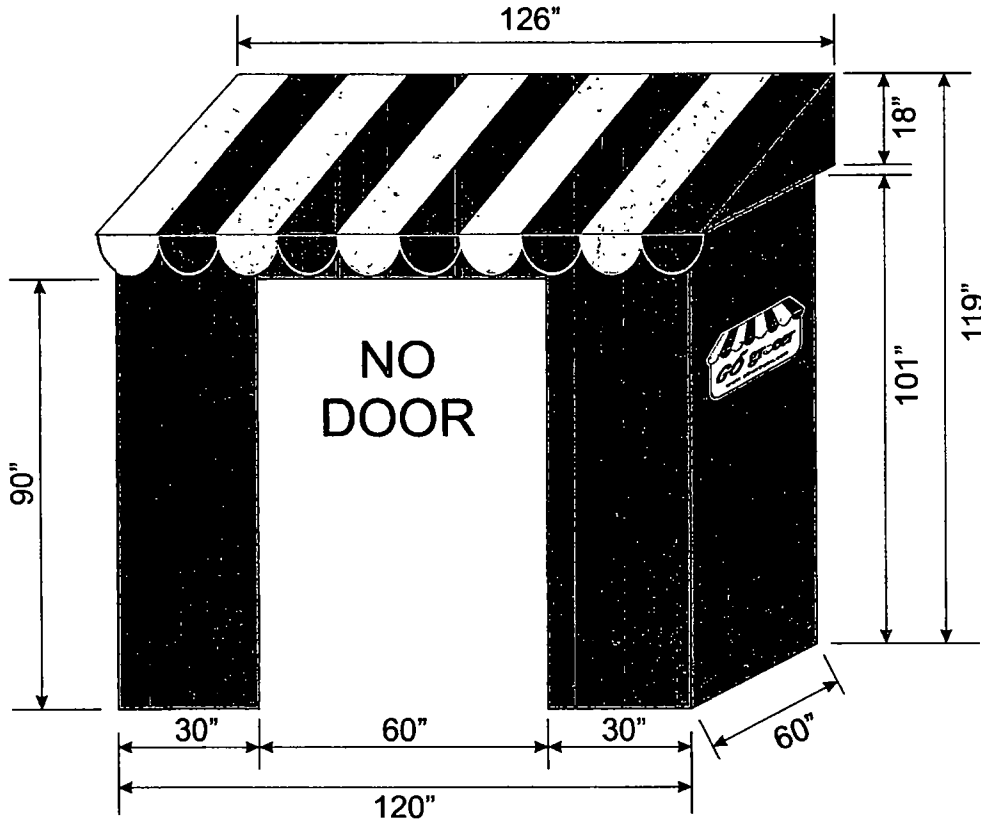
Authority herein given and granted for a period of five (5) years from and after Date of Passage.

Alderman



Bob Fioretti 2nd Ward

Awnings



tfasigns
 5500 N. Kedzie Ave Chicago, IL 60625
 773-267-6007 | sales@tfasigns.com

Client: Go Grocers
Address: 1259 S Michigan Ave
 Chicago, IL 60605
Tel: _____
Email: _____

Landlord: _____
Address: _____

Tel: _____
Email: _____

Start Date: 3/02/14
Last Revision: 3/6/14
Job#: 11014
Drawing#: _____
Page: _____

.....
Client Approval

Landlord Approval

Sales Rep:
 Sean Park
Designer:

E322358



Department of Business Affairs and Consumer Protection
Small Business Center - Public Way Use Unit
City Hall - 121 N LaSalle Street, Room 800 • Chicago, IL 60602
(312)-74-GOBIZ (312-744-6249) • (312) 744-1944 (TTY)
<http://www.cityofchicago.org/bacp>

11/05/2014

Alderman **Bob Fioretti**
Ward # **02**
City of Chicago
City Hall, Room **300**
121 North LaSalle Street
Chicago, Illinois 60602

Re: An ordinance to use and maintain a portion of the public right-of-way for **one (1) wind screen(s)** for **GO GROCERS CHICAGO**, adjacent to the premises known as **1259 S. Michigan Ave..**

Dear Alderman **Bob Fioretti**:

The applicant referenced above has requested the use of the public right-of-way for a **wind screen(s)**. An ordinance has been prepared by the Department of Business Affairs and Consumer Protection – Small Business Center - Public Way Use Unit for presentation to the City Council. Because this request was made for properties located in your ward, as approved by you as per the attached, I respectfully request that you introduce the attached ordinance at the next City Council meeting.

If you have any questions regarding this ordinance, please contact Anthony Bertuca at (312) 744-5506.

Department of Business Affairs and Consumer Protection