



# City of Chicago



O2014-3499

## Office of the City Clerk Document Tracking Sheet

<b>Meeting Date:</b>	4/30/2014
<b>Sponsor(s):</b>	Burnett (27)
<b>Type:</b>	Ordinance
<b>Title:</b>	Awning(s) for Next Restaurant
<b>Committee(s) Assignment:</b>	Committee on Transportation and Public Way

ORDINANCE  
NEXT RESTAURANT  
Acct. No. 355004 - 1  
Permit No. 1099167

*Be It Ordained by the City Council of the City of Chicago:*

SECTION 1. Permission and authority are hereby given and granted to NEXT RESTAURANT, upon the terms and subject to the conditions of this ordinance to construct, install, maintain and use two (2) Awning(s) projecting over the public right-of-way adjacent to its premises known as 953-55 W. Fulton Market .

Said Awning(s) at W. Fulton measure(s):

One (1) at twelve point four one (12.41) feet in length, and eight point one six (8.16) feet in width for a total of one hundred one point two seven (101.27) square feet.

Said Awning(s) at N. Morgan measure(s):

One (1) at thirty-six point nine two (36.92) feet in length, and three point five (3.5) feet in width for a total of one hundred twenty-nine point two two (129.22) square feet.

The location of said privilege shall be as shown on prints kept on file with the Department of Business Affairs and Consumer Protection and the Office of the City Clerk.

Said privilege shall be constructed in accordance with plans and specifications approved by the Zoning Department - Signs.

This grant of privilege in the public way shall be subject to the provisions of Section 10-28-015 and all other required provisions of the Municipal Code of Chicago.

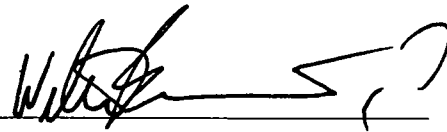
The grantee shall pay to the City of Chicago as compensation for the privilege #1099167 herein granted the sum of one hundred eleven dollars and ninety-two cents (\$111.92) per annum in advance.

A 25% penalty will be added for payments received after due date.

The permit holder agrees to hold the City of Chicago harmless for any damage, relocation or replacement costs associated with damage, relocation or removal of private property caused by the City performing work in the public way.

Authority herein given and granted for a period of five (5) years from and after Date of Passage.

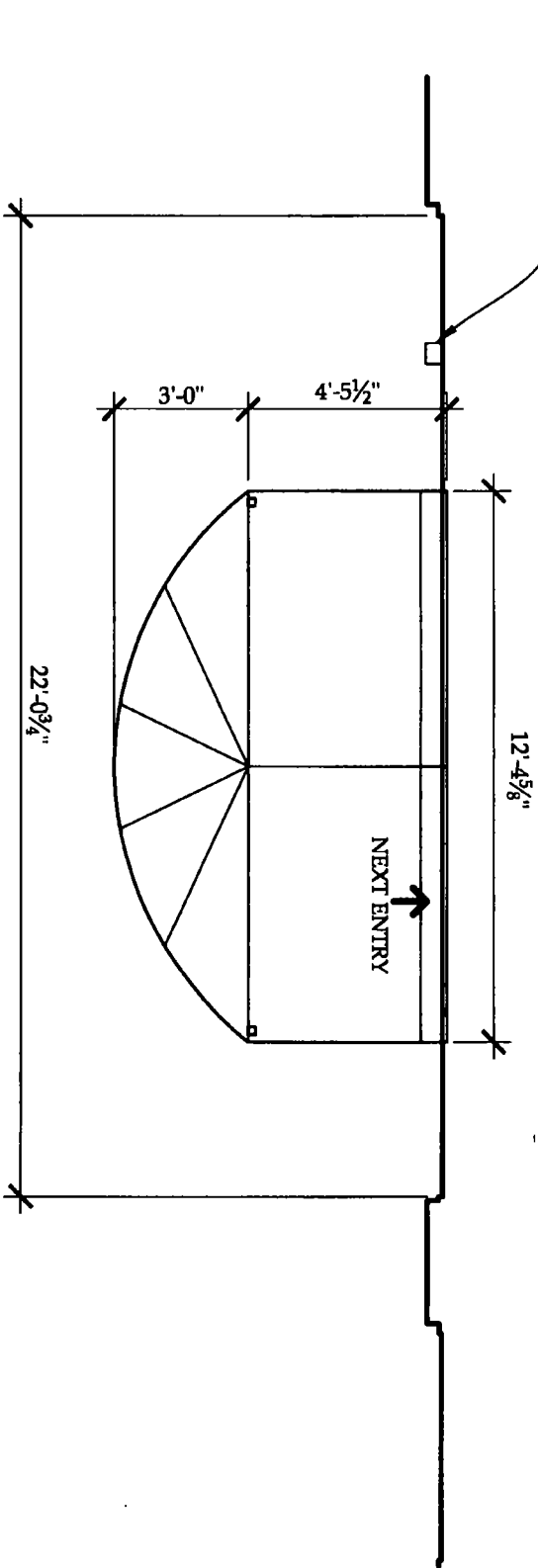
Alderman



Walter Burnett Jr. 27th Ward

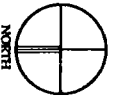
WEATHERYTE ADVANCED  
AWNING FABRIC, FLAME  
RETARDANT: CSFM TITLE 19,  
SECTION 1237, ASTM B94 CLASS A,  
NFP A 701, UL 48 & 94.

CAB LIGHT AT  
14'-0" ABOVE  
SIDEWALK



953-55 W. FULTON MARKET - NEXT AWNING PLAN  
1/4" = 1'-0"

Q53-55 W. FULTON MKT



NOVEMBER 28, 2011