



City of Chicago



O2017-1228

Office of the City Clerk

Document Tracking Sheet

Meeting Date:	2/22/2017
Sponsor(s):	Reilly (42)
Type:	Ordinance
Title:	Grant(s) of privilege in public way for Northwestern University - I beam
Committee(s) Assignment:	Committee on Transportation and Public Way

ORDINANCE
Northwestern University
Acct. No. 69296 - 3
Permit No. 1126027

Be It Ordained by the City Council of the City of Chicago:

SECTION 1. Permission and authority are hereby given and granted to Northwestern University, upon the terms and subject to the conditions of this ordinance to construct, install, maintain and use one (1) I Beam(s) on the public right-of-way adjacent to its premises known as 303 E. Superior St..

Said I Beam(s) at E. Superior Street measure(s):

One (1) at fifteen point five (15.5) feet in length, and six point five (6.5) feet in width for a total of one hundred point seven five (100.75) square feet.

The location of said privilege shall be as shown on prints kept on file with the Department of Business Affairs and Consumer Protection and the Office of the City Clerk.

Said privilege shall be constructed in accordance with plans and specifications approved by the Department of Transportation (Office of Underground Coordination).

This grant of privilege in the public way shall be subject to the provisions of Section 10-28-015 and all other required provisions of the Municipal Code of Chicago.

The grantee shall pay to the City of Chicago as compensation for the privilege #1126027 herein granted the sum of four hundred (\$400.00) per annum in advance.

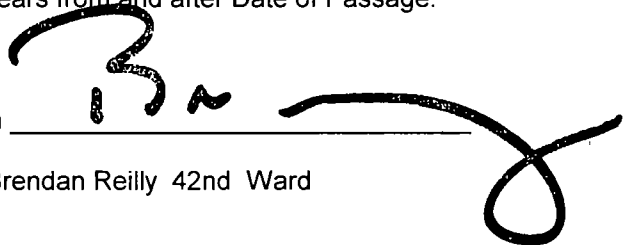
A 25% penalty will be added for payments received after due date.

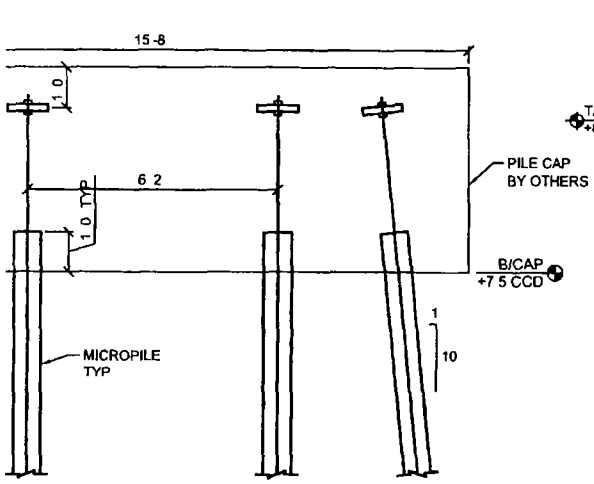
The permit holder agrees to hold the City of Chicago harmless for any damage, relocation or replacement costs associated with damage, relocation or removal of private property caused by the City performing work in the public way.

Authority herein given and granted for a period of five (5) years from and after Date of Passage.

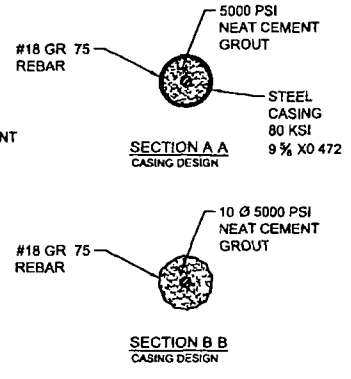
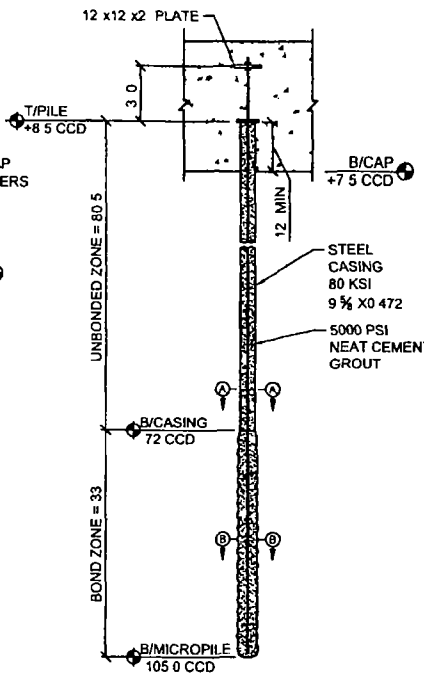
Alderman _____

Brendan Reilly 42nd Ward

A handwritten signature in black ink, appearing to read 'B. Reilly', written over a horizontal line. The signature is stylized and extends to the right of the line.



3 SECTION
Scale 3/8" = 1'-0"



SECTION

be the sole own

HBI'S DRAWING PREPARED ELECTRONIC REFERENCE PROVIDED TO BACKGROUND THE OWNER CONTRACT IMMEDIATELY ANY REVISIONS BACKGROUND

REFERENCES
S03-06 S03-0