



Office of the City Clerk



Or2012-695

Office of the City Clerk

City Council Document Tracking Sheet

Meeting Date:	11/15/2012
Sponsor(s):	Reilly, Brendan (42)
Type:	Order
Title:	Issuance of permits for sign(s)/signboard(s) at 111 W Illinois St
Committee(s) Assignment:	Committee on Zoning, Landmarks and Building Standards

(signs)

ORDERED, That the Commissioner of Buildings is hereby directed to issue a sign permit to: (Contractor's name and address)

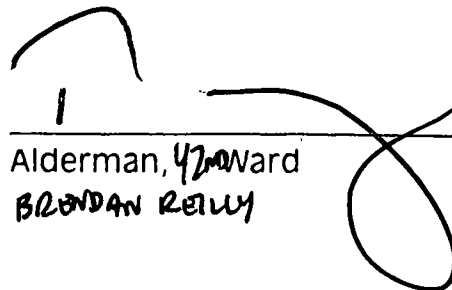
PARKIN, CLAUS SIBO CO
165 TUBENAY DR
CAROL STREAM IL 60188

for the erection of a sign/signboard over 24 feet in height and/or over 100 square feet (in area of one face) at: (Business NAME & ADDRESS)

SALESFORCE.COM
111 W ILLINOIS ST

2 SIGNS: NORTH: 20' 3" SOUTH: 29' 4" height 10' 2"
Dimensions: length SOUTH: 29' 4" height NORTH: 130' SOUTH: 146'
height above grade/roof to top of sign NORTH: 142' SOUTH: 298'
TOTAL SQUARE FOOT AREA NORTH: 142 SOUTH: 298

Such sign(s) shall comply with all applicable provisions of TITLE 17 of the Chicago Zoning Ordinance and all other applicable provisions of the Municipal Code of the City of Chicago governing the construction and maintenance of outdoor signs, signboards and structures.


Alderman, 42nd Ward
BRENDAN KELLY

PROJECT:

Turner

111 W. Illinois
Chicago, IL

CUSTOMER APPROVAL:
DATE

AUTHORIZED SIGNATURE

REPRESENTATIVE Todd Kowalsky

DRAWN BY Bill Marlow

DATE 7.24.12

SCALE 1/4" = 1'

SHEET NO. 1 of 3

WORK ORDER 66870

FILE NAME TUR66870

PRINT INFO

REVISIONS:

1	8.08.12
2	8.24.12
3	9.07.12
4	10.09.12
5	10.31.12
6	11.07.12
7	
8	
9	
10	

(1 set) 5" Deep Illuminated Channel Letters

Returns: Fabricated Aluminum Painted MAP 32156 Black Magic

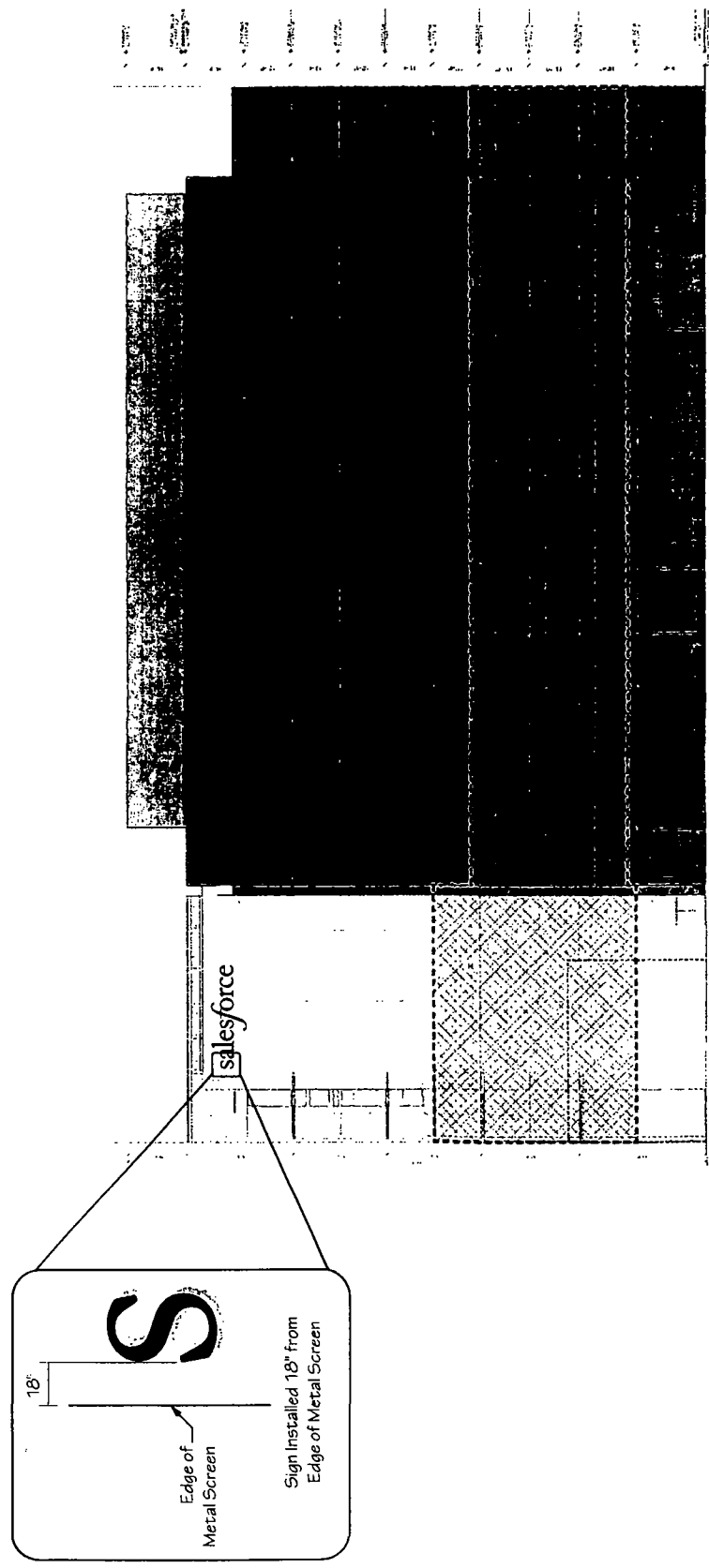
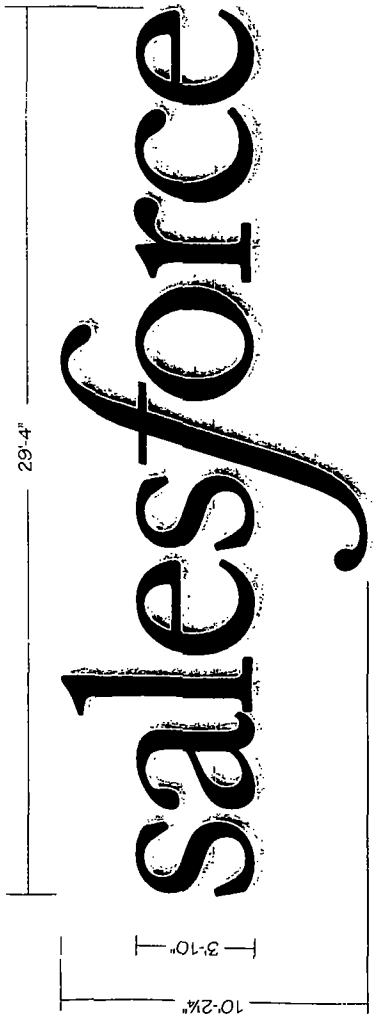
Faces: White Polycarbonate with
3M 3635-222 Dual Color Black Vinyl

Trimcap: 1" Black

Illumination: Sloan LED Apollo 5000K White LEDs w/ Remote 12 VDC Modular 60
Power Supplies, Dimming Module FN 7018-17 with a Marlin Controller

Power: (1) 15Amp @ 120Volts Circuit Run to
Site by Others

Mounting: Flush to Metallic Screen



South Elevation
Scale: 1/32" = 1'-0"

This Document is owned by, and the information contained in it is proprietary to, Parvin-Claus Sign Company. By receipt hereof the holder agrees not to use the information, disclose it to any third party, nor reproduce this document without the prior written consent of Parvin-Claus Sign Company. Holder also agrees to immediately return this document upon request of Parvin-Claus Sign Company.



Parvin-Claus
SIGN COMPANY

Design • Fabrication • Installation • Maintenance
1111 W. Lawrence • Chicago, Illinois 60604
Tel: 773.331.2020 • Fax: 773.331.2074
E-Mail: info@parvin-claus.com
www.parvin-claus.com

PROJECT:

Turner

111 W. Illinois
Chicago, IL

CUSTOMER APPROVAL:
DATE

AUTHORIZED SIGNATURE

REPRESENTATIVE Todd Kowalsky

DRAWN BY Bill Marlow

DATE 7.24.12

SCALE 1/4" = 1'

SHEET NO. 1 of 4

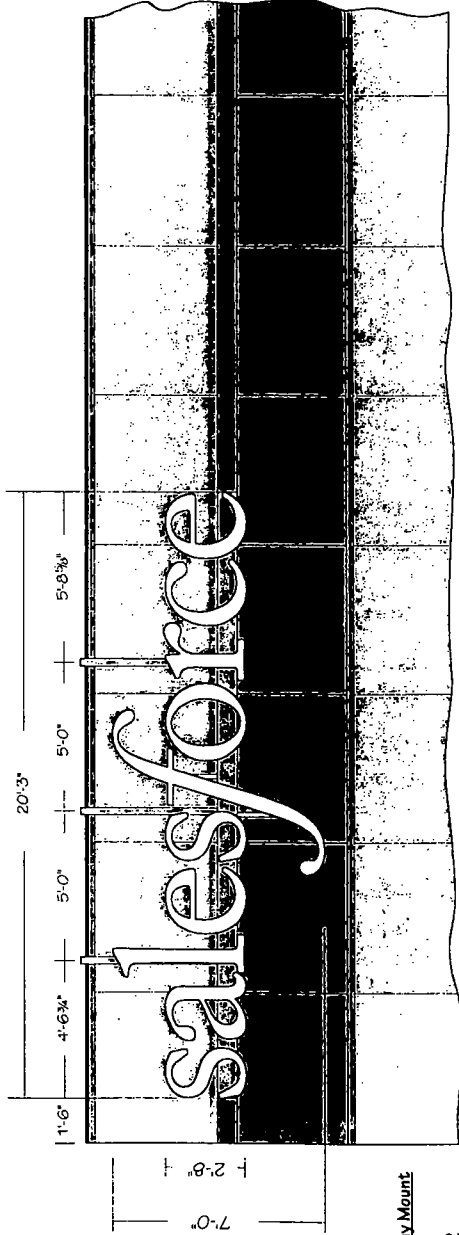
WORK ORDER 66869

FILE NAME TUR66869

PRINT INFO

REVISIONS:

1	8.08.12
2	8.23.12
3	9.07.12
4	9.12.12
5	10.09.12
6	10.31.12
7	11.07.12
8	
9	
10	



(1 set) 5" Deep Illuminated Channel Letters - Raceway Mount

Returns: Fabricated Aluminum Painted MAP 316452

Designer White

Faces: White Polycarbonate

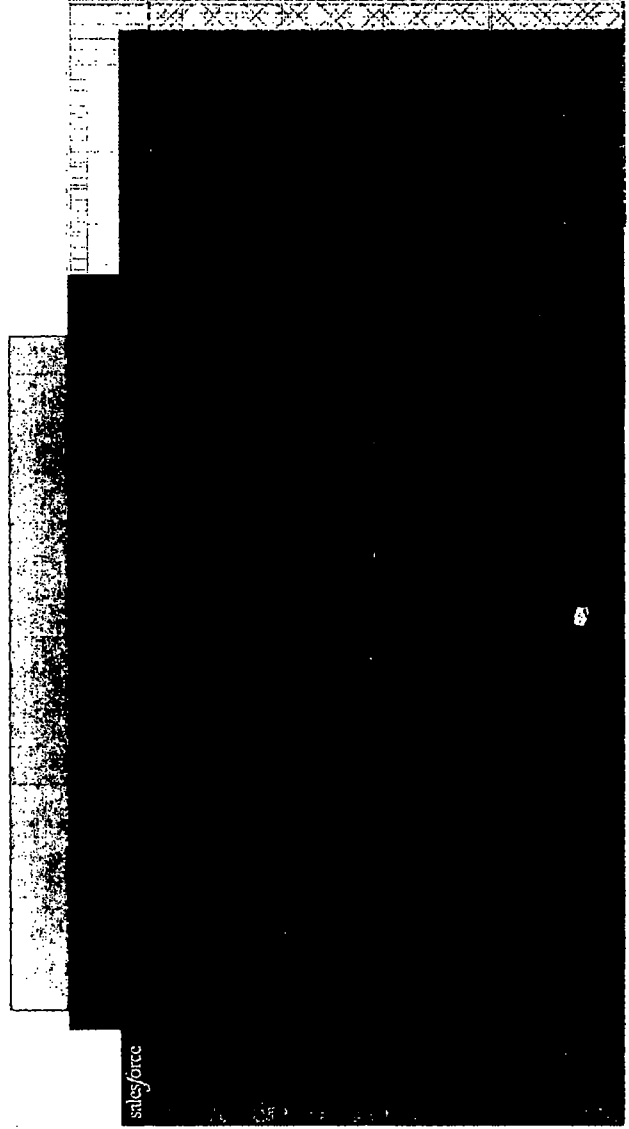
Trimcap: 1" White

Illumination: Sloan LED Apollo 5000K White LEDs w/ Remote 12 VDC Modular 60 Power Supplies.

Dimming Module: PN 701817 with a Marlin Controller

Power: (1) 15Amp @ 120Volts Circuit Run to Site by Others

Mounting: Raceway - See pages 2 & 3 for details



North Elevation
Scale: 1/32" = 1'-0"



This Document is owned by, and the information contained in it is proprietary to, Parvin-Claus Sign Company. By receipt hereof the holder agrees not to use the information, disclose it to any third party, nor reproduce this document without the prior written consent of Parvin-Claus Sign Company. Holder also agrees to immediately return this document upon request of Parvin-Claus Sign Company.
© Copyright 2012 by Parvin-Claus Sign Co.

PROJECT:

Turner

111 W. Illinois
Chicago, IL

CUSTOMER APPROVAL:

DATE

AUTHORIZED SIGNATURE

REPRESENTATIVE
Todd Kowalsky

DRAWN BY
Bill Marlow

DATE
7.24.12

SCALE
1/2" = 1'

SHEET NO.
3 of 4

WORK ORDER
668869

FILE NAME
TUR66869

PRINT INFO

REVISIONS:

1 8.08.12

2 8.23.12

3 9.07.12

4 9.12.12

5 10.09.12

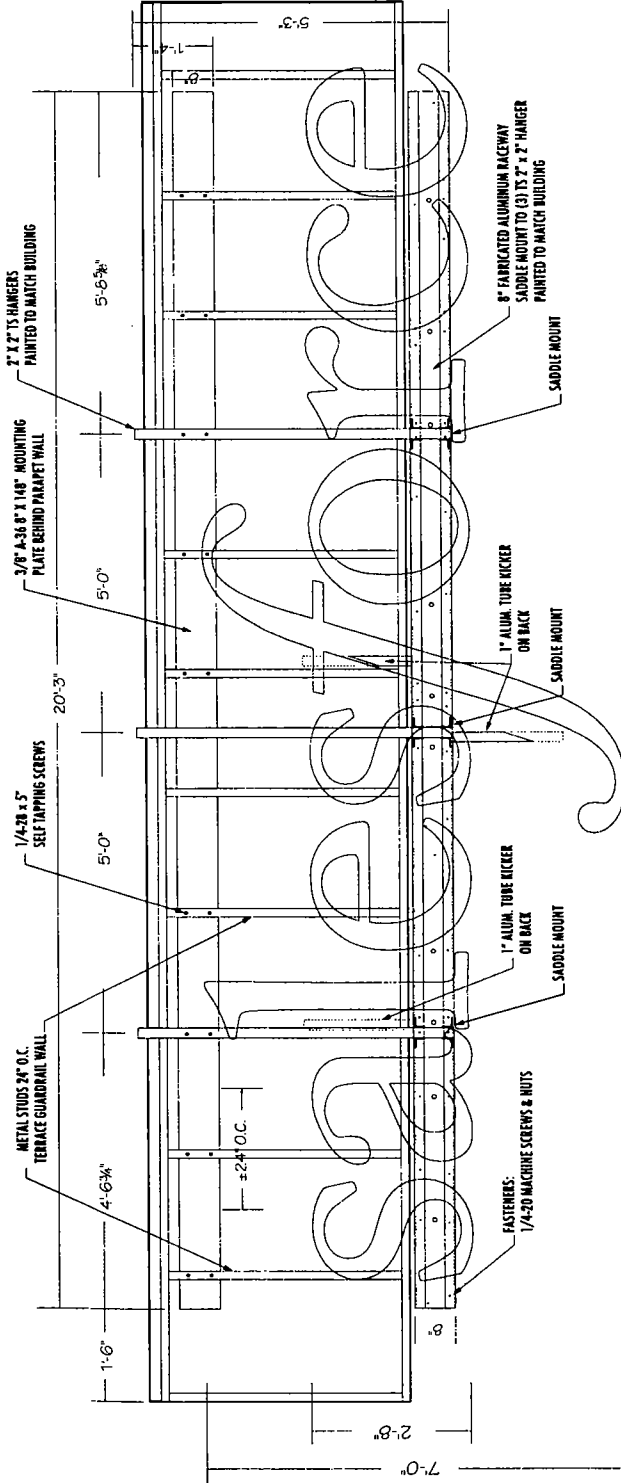
6 10.31.12

7 11.07.12

8

9

10



PROJECT:

Turner

111 W. Illinois
Chicago, IL

CUSTOMER APPROVAL:

DATE

AUTHORIZED SIGNATURE

REPRESENTATIVE

Todd Kowalsky

DRAWN BY

Bill Marlow

DATE

7.24.12

SCALE

1" = 1'

SHEET NO.

2 of 4

WORK ORDER

668869

FILE NAME

TUR66869

PRINT INFO

REVISIONS:

1	8.08.12
2	8.23.12
3	9.07.12
4	9.12.12
5	10.09.12
6	10.31.12
7	11.07.12
8	
9	
10	

