



# City of Chicago



O2015-5624

Office of the City Clerk

## Document Tracking Sheet

<b>Meeting Date:</b>	7/29/2015
<b>Sponsor(s):</b>	Hopkins (2)
<b>Type:</b>	Ordinance
<b>Title:</b>	Grant(s) of privilege in public way for Restoration Hardware
<b>Committee(s) Assignment:</b>	Committee on Transportation and Public Way

ORDINANCE  
RESTORATION HARDWARE  
Acct. No. 396326 - 1  
Permit No. 1119675

*Be It Ordained by the City Council of the City of Chicago:*

SECTION 1. Permission and authority are hereby given and granted to RESTORATION HARDWARE, upon the terms and subject to the conditions of this ordinance to construct, install, maintain and use eight (8) Light Fixture(s) projecting over the public right-of-way adjacent to its premises known as 1306 N. Dearborn St..

Said Light Fixture(s) at W. Goethe Street measure(s):

Eight (8) at point three three (.33) feet in length, point six six (.66) feet in width and nine hundred ninety-nine thousand nine hundred ninety-nine (0) feet above grade level.

The location of said privilege shall be as shown on prints kept on file with the Department of Business Affairs and Consumer Protection and the Office of the City Clerk.

Said privilege shall be constructed in accordance with plans and specifications approved by the Department of Transportation (Division of Project Development).

This grant of privilege in the public way shall be subject to the provisions of Section 10-28-015 and all other required provisions of the Municipal Code of Chicago.

The grantee shall pay to the City of Chicago as compensation for the privilege #1119675 herein granted the sum of one hundred ten (\$110.00) per annum in advance.

A 25% penalty will be added for payments received after due date.

The permit holder agrees to hold the City of Chicago harmless for any damage, relocation or replacement costs associated with damage, relocation or removal of private property caused by the City performing work in the public way.

Authority herein given and granted for a period of five (5) years from and after Date of Passage.

Alderman  \_\_\_\_\_

Brian Hopkins 2nd Ward

March 20, 2015

**SPECIFICATIONS**

**DESCRIPTION**  
LED well light with internally adjustable beam angle. Suitable for wet location installations.

**MATERIAL**  
Standard overall material is 6061 aluminum  
C02183 - Machined Aluminum with stainless steel trim

**FINISH**  
AA - Anodized Satin Aluminum  
AP - Powder Coat Aluminum  
BK - Powder Coat Black  
BZ - Powder Coat Bronze  
WT - Powder Coat White

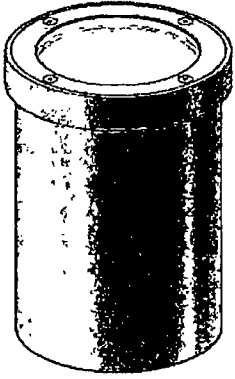
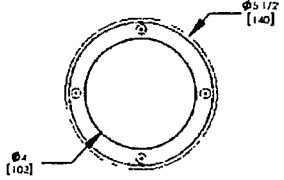
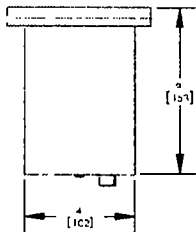
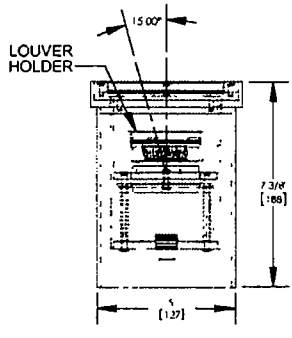
**LED OPTIONS**  
Integral 15W LED 3000K CCT  
Optics - Four beam angles available  
NF - 20° Narrow Flood  
FL - 40° Flood  
WFL - 60° Wide Flood

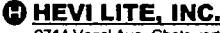
**VOLTAGE**  
12 - 12 VAC output transformer required not included

**MOUNTING**  
Fixture is equipped with a pour housing for mounting in concrete

**RATING**  
Wet/damp dry location

**MADE IN THE USA**

PROJECT	 9714 Vanel Ave, Chatsworth, CA 91311 Tel (818) 341-8091 - Fax (818) 998-1986 Web Site <a href="http://www.hevilight.com">http://www.hevilight.com</a>
APPROVED	
NOTE	
TYPE	CUSTOM NUMBER <b>C02183</b>

THE INFORMATION CONTAINED IN THIS DRAWING IS THE SOLE PROPERTY OF HEVI LITE, INC. ANY REPRODUCTION IN PART OR WHOLE WITHOUT THE WRITTEN PERMISSION OF HEVI LITE, INC. IS PROHIBITED.

No substitutions will be considered to the specifications of this project unless signed and approved by Sean O'Connor Lighting. Sean O'Connor Lighting is not responsible for any changes made to the specifications that are not approved by Sean O'Connor Lighting.

**SEAN  
O'CONNOR  
LIGHTING**

8820 Wilshire Boulevard, Suite 320  
Beverly Hills California 90211  
Telephone 310 659 5900  
Facsimile 310 659 5915  
[www.seanoconnorlighting.com](http://www.seanoconnorlighting.com)

**RESTORATION HARDWARE CHICAGO**  
Three Arts Club  
1300 N Dearborn Pkwy  
Chicago, IL 60610  
Project No 357

TYPE  
**UL2**  
PAGE 53



**Department of Business Affairs and Consumer Protection**  
Small Business Center - Public Way Use Unit  
City Hall - 121 N. LaSalle Street, Room 800 • Chicago, IL 60602  
312-74-GOBIZ / 312-744-6249 • (312) 744-1944 (TTY)  
<http://www.cityofchicago.org/bacp>

**07/29/2015**

**Alderman Brian Hopkins**  
Ward # 02  
City of Chicago  
City Hall, Room 200  
121 North LaSalle Street  
Chicago, Illinois 60602

Re: An ordinance to use and maintain a portion of the public right-of-way for **eight (8) light fixture(s)** for **RESTORATION HARDWARE**, adjacent to the premises known as **1306 N. Dearborn St.**

Dear Alderman **Brian Hopkins**:

The applicant referenced above has requested the use of the public right-of-way for a **light fixture(s)**. An ordinance has been prepared by the Department of Business Affairs and Consumer Protection – Small Business Center - Public Way Use Unit for presentation to the City Council. Because this request was made for properties located in your ward, as approved by you as per the attached, I respectfully request that you introduce the attached ordinance at the next City Council meeting.

If you have any questions regarding this ordinance, please contact Anthony Bertuca at (312) 744-5506.

**Department of Business Affairs and Consumer Protection**