



# Office of the City Clerk



O2012-7452

Office of the City Clerk

## City Council Document Tracking Sheet

<b>Meeting Date:</b>	10/31/2012
<b>Sponsor(s):</b>	Dowell, Pat (3)
<b>Type:</b>	Ordinance
<b>Title:</b>	Grant(s) of privilege in public way for Daystar Education Association, Inc.
<b>Committee(s) Assignment:</b>	Committee on Transportation and Public Way

ORDINANCE  
DAYSTAR EDUCATION ASSOCIATION INC  
Acct. No. 247101 - 2  
Permit No. 1103023

*Be It Ordained by the City Council of the City of Chicago:*

SECTION 1. Permission and authority are hereby given and granted to DAYSTAR EDUCATION ASSOCIATION INC, upon the terms and subject to the conditions of this ordinance to maintain and use two (2) sign(s) projecting over the public right-of-way attached to its premises known as 1550 S. State St..

Said sign structure(s) measures as follows; along S. State Street:

One (1) at eighteen point nine six (18.96) feet in length, one point three three (1.33) feet in height and twelve point two five (12.25) feet above grade level.

One (1) at thirty-two point two one (32.21) feet in length, one point seven five (1.75) feet in height and twelve point two five (12.25) feet above grade level.

The location of said privilege shall be as shown on prints kept on file with the Department of Business Affairs and Consumer Protection and the Office of the City Clerk.

Said privilege shall be constructed in accordance with plans and specifications approved by the Department of Transportation (Division of Project Development) and Zoning Department - Signs.

This grant of privilege in the public way shall be subject to the provisions of Section 10-28-015 and all other required provisions of the Municipal Code of Chicago.

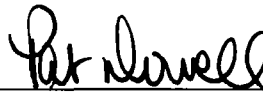
The grantee shall pay to the City of Chicago as compensation for the privilege #1103023 herein granted the sum of six hundred (\$600.00) per annum in advance.

A 25% penalty will be added for payments received after due date.

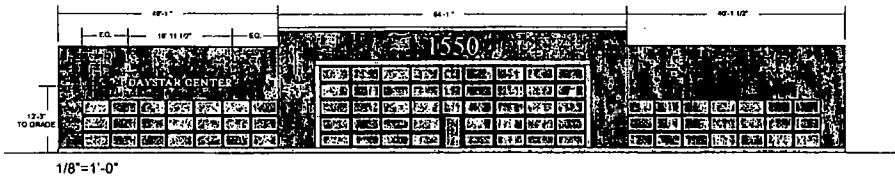
The permit holder agrees to hold the City of Chicago harmless for any damage, relocation or replacement costs associated with damage, relocation or removal of private property caused by the City performing work in the public way.

Authority herein given and granted for a period of five (5) years from and after Date of Passage.

Alderman



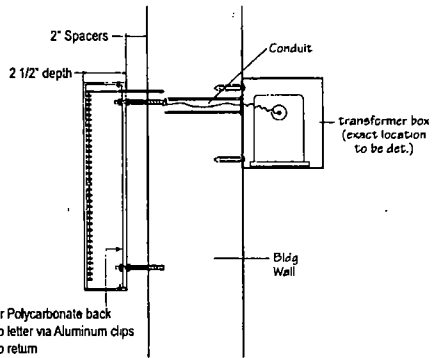
Pat Dowell 3<sup>rd</sup> Ward



**ELECTRICAL REQUIREMENTS**  
 120 WATTS TOTAL  
 (1) POWER SUPPLIES

# 1'-4" DAYSTAR CENTER

REVERSE CHANNEL LETTERS  
 1/8" 1'-0"  
 FAB & INSTALL ONE (1) SET OF LED ILLUM REVERSE CHANNEL LETTERS.  
 FACES & RETURNS PAINTED MATTHEWS BRUSHED ALUMINUM FINISH  
 (1) SET READING "DAYSTAR CENTER"  
 PIN MOUNTED TO FASCIA



- S. CENTERED LETTERS SCALED PER REV# 2-25-12 RB
- R. CENTERED LETTERS WITH WINKLAYS 1-30-12 RB
- G. SCALED DOWN "CHRISTIAN COLLEGE" 1-25-12 RB
- F. ADDED TRINITY LOGO 12-6-11 RB
- D. ADDED TAGLINE 10-16-11 RB
- H. ADDED CANTY TO SKETCH 10-16-11 RB
- M. ADDED NEW CHANNEL LETTERS 10-6-11 RB
- K. CHANGED #1 TO # FALL 03-07-10 MR
- J. #140 SECONDARY 30" LETTERS-05 02-24-10 MR
- I. CENTRE TO CENTER, BLACK SUPPORT. 02-23-10 MR
- H. ADDED 18 LETTER 02-13-10 MR
- G. LOGO CHNG WALL LETTERS 2" 02-13-10 MR
- F. ADD "CENTRE" CORROPTIONS 01-27-10 MR

(09) 3466

PHOTO HEREIN IS FOR INFO ONLY. NOT FOR CONSTRUCTION. REFER TO SPECIFICATIONS FOR CORRECT BUILDS.

COLOR PRINTS MAY NOT ACCURATELY REPRESENT UNLIT LED COLORS. FOR ACCURATE COLOR REPRESENTATION, REFER TO COLOR CHARTS AND UTILIZE STANDARD WHITE AND PHOTO LOGIC COLORS.

Revised	Date	By	Approved	Project	Location	Notes
	11/28/05	MR		84138	T. WOOD	
	02/09/10	MR			DAYSTAR SCHOOL	AS NOTED
	02/23/10	MR			1550 SOUTH STATE ST	JAMES
	01/27/10	MR		CHICAGO		3 3

TYP. SECTION THRU REVERSE CHANNEL LED





**10/31/2012**

**Alderman Pat Dowell**  
Ward # 03  
City of Chicago  
City Hall, Room 300  
121 North LaSalle Street  
Chicago, Illinois 60602

Re: An ordinance to use and maintain a portion of the public right-of-way for **two (2) sign(s)** for  
**DAYSTAR EDUCATION ASSOCIATION INC**, adjacent to the premises known as **1550 S. State St.**

Dear Alderman **Pat Dowell**:

The applicant referenced above has requested the use of the public right-of-way for a **sign(s)**. An ordinance has been prepared by the Department of Business Affairs and Consumer Protection – Business Assistance Center - Public Way Use Unit for presentation to the City Council. Because this request was made for properties located in your ward, as approved by you as per the attached, I respectfully request that you introduce the attached ordinance at the next City Council meeting.

If you have any questions regarding this ordinance, please contact Anthony Bertuca at (312) 744-5506.

**Department of Business Affairs and Consumer Protection**