



Office of the Chicago City
Clerk



O2011-7544

Office of the City Clerk

City Council Document Tracking Sheet

Meeting Date:	9/8/2011
Sponsor(s):	Reilly, Brendan (42)
Type:	Ordinance
Title:	Grant(s) of Privilege in Public Way for General Seal
Committee(s) Assignment:	Committee on Transportation and Public Way

ORDINANCE
GENERAL SEAL
Acct. No. 247493 - 2
Permit No. 1096515

Be It Ordained by the City Council of the City of Chicago:

SECTION 1. Permission and authority are hereby given and granted to ^{Geneva}~~GENERAL SEAL~~, upon the terms and subject to the conditions of this ordinance to maintain and use one (1) sign(s) projecting over the public right-of-way attached to its premises known as 112 E. Oak St..

Said sign structure(s) measures as follows; along E.OAK:

One (1) at sixteen point five (16.5) feet in length, one point five (1.5) feet in height and eighteen (18) feet above grade level.

The location of said privilege shall be as shown on prints kept on file with the Department of Business Affairs and Consumer Protection and the Office of the City Clerk.

Said privilege shall be constructed in accordance with plans and specifications approved by the Department of Transportation (Division of Project Development) and Zoning Department - Signs.

This grant of privilege in the public way shall be subject to the provisions of Section 10-28-015 and all other required provisions of the Municipal Code of Chicago.

The grantee shall pay to the City of Chicago as compensation for the privilege #1096515 herein granted the sum of one hundred (\$100.00) per annum in advance.

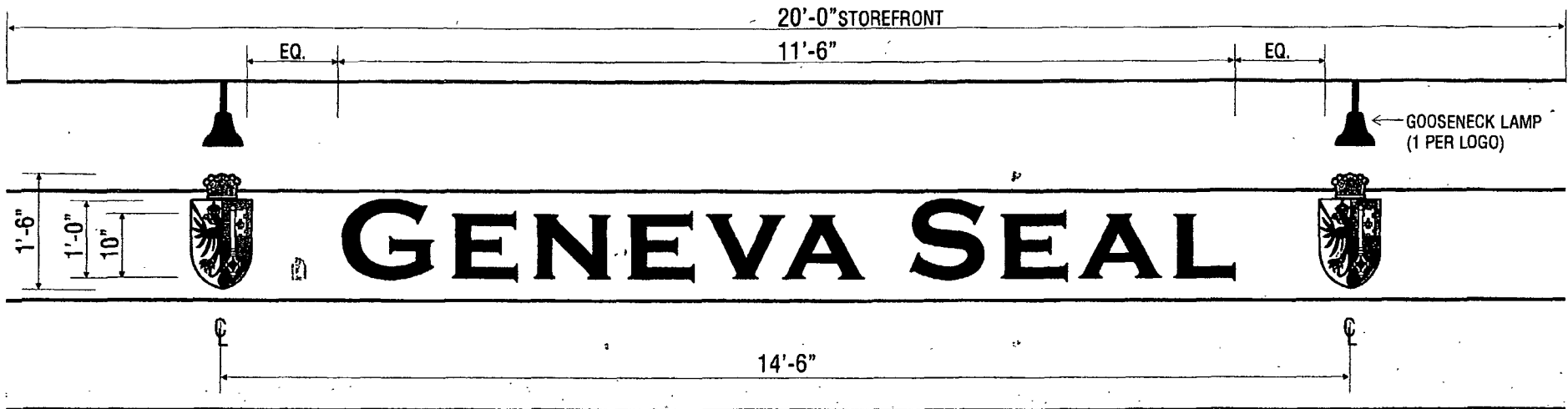
A 25% penalty will be added for payments received after due date.

The permit holder agrees to hold the City of Chicago harmless for any damage, relocation or replacement costs associated with damage, relocation or removal of private property caused by the City performing work in the public way.

Authority herein given and granted for a period of five (5) years from and after Date of Passage.

Alderman _____


Brendan Reilly 42nd Ward

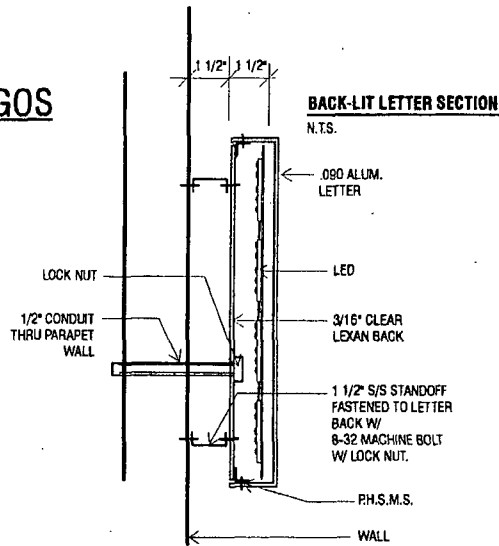
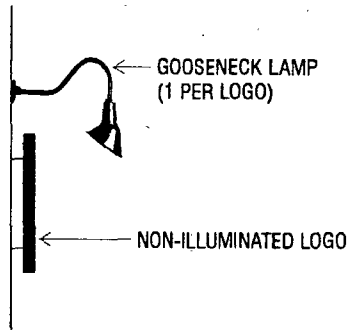


(1) SET INDIVIDUAL ILLUMINATED LETTERS -BACK LIT

FAB. 1-1/2" DEEP
 LETTER FACE & RETURN - FINISH BLACK
 LED ILLUMINATION - WHITE

(2) NON-ILLUMINATED LOGOS

TRANS. DIGITAL PRINT ON FACE
 BLACK RETURNS



APPROVED: _____ DATE: _____

M-K SIGNS
 CHICAGO
 4900 N. ELSTON AVE
 CHICAGO, IL 60630
 773/545-4000
 FAX: 773/545-0002
 E-MAIL: aridepi@mksigns.net

GENEVA SEAL
 1003 N. RUSH ST. CHICAGO, IL

Colors represented in this drawing are for presentation purposes only. They will not match your finished product exactly. Actual color samples can be obtained from your sales representative.

This design is the original and unpublished work of MK SIGNS and may not be reproduced, copied or exhibited in any fashion without the expressed written consent of MK SIGNS. The rights to this design may be purchased.

DATE	REVISION	SCALE	DATE
1-17-11		1/2" = 1'-0"	1-11-11
1-26-11	CHANGE LOGO HT	DESIGNER	SALES
2-16-11	LOGO NON-ILLUM.	MSO	SP
		FILE	DRAWING NUMBER
		GENEVA SEAL	9955