



# City of Chicago



O2017-6429

Office of the City Clerk

## Document Tracking Sheet

<b>Meeting Date:</b>	9/6/2017
<b>Sponsor(s):</b>	Moreno (1)
<b>Type:</b>	Ordinance
<b>Title:</b>	Grant(s) of privilege in public way for Parlor Pizza Bar - light fixtures
<b>Committee(s) Assignment:</b>	Committee on Transportation and Public Way

ORDINANCE  
PARLOR PIZZA BAR  
Acct. No. 402530 - 1  
Permit No. 1129267

*Be It Ordained by the City Council of the City of Chicago:*

SECTION 1. Permission and authority are hereby given and granted to PARLOR PIZZA BAR, upon the terms and subject to the conditions of this ordinance to construct, install, maintain and use five (5) Light Fixture(s) projecting over the public right-of-way adjacent to its premises known as 1824-26 W. Division St..

Said Light Fixture(s) at W Division St measure(s):

Five (5) at one point eight three (1.83) foot in length, one point three three (1.33) foot in width and twenty-one point zero eight (21.08) feet above grade level.

The location of said privilege shall be as shown on prints kept on file with the Department of Business Affairs and Consumer Protection and the Office of the City Clerk.

Said privilege shall be constructed in accordance with plans and specifications approved by the Department of Transportation (Division of Project Development).

This grant of privilege in the public way shall be subject to the provisions of Section 10-28-015 and all other required provisions of the Municipal Code of Chicago.

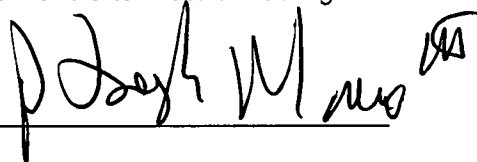
The grantee shall pay to the City of Chicago as compensation for the privilege #1129267 herein granted the sum of ninety-five (\$95.00) per annum in advance.

A 25% penalty will be added for payments received after due date.

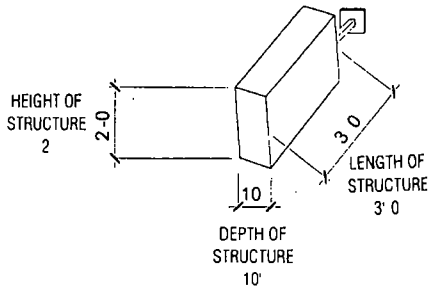
The permit holder agrees to hold the City of Chicago harmless for any damage, relocation or replacement costs associated with damage, relocation or removal of private property caused by the City performing work in the public way.

Authority herein given and granted for a period of five (5) years from and after Date of Passage.

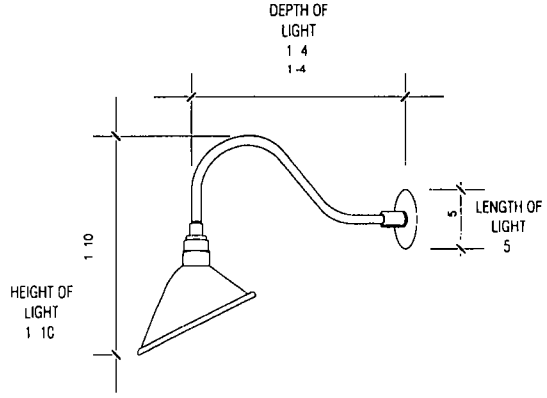
Alderman \_\_\_\_\_



Proco Joe Moreno 1st Ward



**SIGN DETAILS**  
1/4" = 1' 0"



**LIGHT DETAILS**  
1" = 1' 0"

PROJECT  
**15-C-12**  
FOR PUBLIC WAY

**CBD ARCHITECTS**

Chicago Building Design, P.C.  
700 N. LaSalle St., Suite 801 Chicago, Illinois 60654  
P 312.497.9007 F 312.497.9044 E info@cbdarchitects.com  
DRAWN BY: SM CHECKED BY: JJ DATE: 08/11/17

LOCATION

**PARLOR PIZZA BAR**  
1824 W. DIVISION ST  
CHICAGO, IL 60622

**A-02**

SHEET



**Department of Business Affairs and Consumer Protection**

Small Business Center - Public Way Use Unit  
City Hall - 121 N. LaSalle Street, Room 800 • Chicago, IL 60602  
312-74-GOBIZ / 312-744-6249 • (312) 744-1944 (TTY)  
<http://www.cityofchicago.org/bacp>

**09/06/2017**

**Alderman Proco Joe Moreno**  
Ward # 01  
City of Chicago  
City Hall, Room 300  
121 North LaSalle Street  
Chicago, Illinois 60602

Re: An ordinance to use and maintain a portion of the public right-of-way for **five (5) light fixture(s)** for **PARLOR PIZZA BAR**, adjacent to the premises known as **1824-26 W. Division St.**.

Dear Alderman **Proco Joe Moreno**:

The applicant referenced above has requested the use of the public right-of-way for a **light fixture(s)**. An ordinance has been prepared by the Department of Business Affairs and Consumer Protection – Small Business Center - Public Way Use Unit for presentation to the City Council. Because this request was made for properties located in your ward, as approved by you as per the attached, I respectfully request that you introduce the attached ordinance at the next City Council meeting.

If you have any questions regarding this ordinance, please contact Anthony Bertuca at (312) 744-5506.

**Department of Business Affairs and Consumer Protection**