



City of Chicago



Or2014-494

Office of the City Clerk

Document Tracking Sheet

Meeting Date:	10/8/2014
Sponsor(s):	Fioretti (2)
Type:	Order
Title:	Issuance of permits for sign(s)/signboard(s) at 1212 S Michigan Ave (Height above grade 41 feet, 6 inches)
Committee(s) Assignment:	Committee on Zoning, Landmarks and Building Standards

City Council, meeting date: _____
Committee on Zoning, Landmarks, & Building Standards

ORDERED, That the Commissioner of the Building Department is hereby directed to issue a sign permit to: (Contractor's name and address)

All-Right Sign, Inc.
3035 Wain Avenue
Steger, IL. 60475

For the erection of a sign / signboard over twenty-four (24) feet in height and / or over one hundred (100) square feet (in area of one face) at:

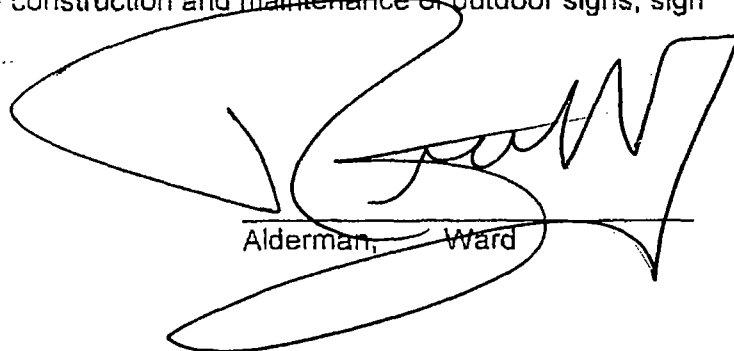
On-Premise / Business ID signs: indicate Business Name and Address
Off-Premise / Advertising signs: must indicate that it is for Advertising

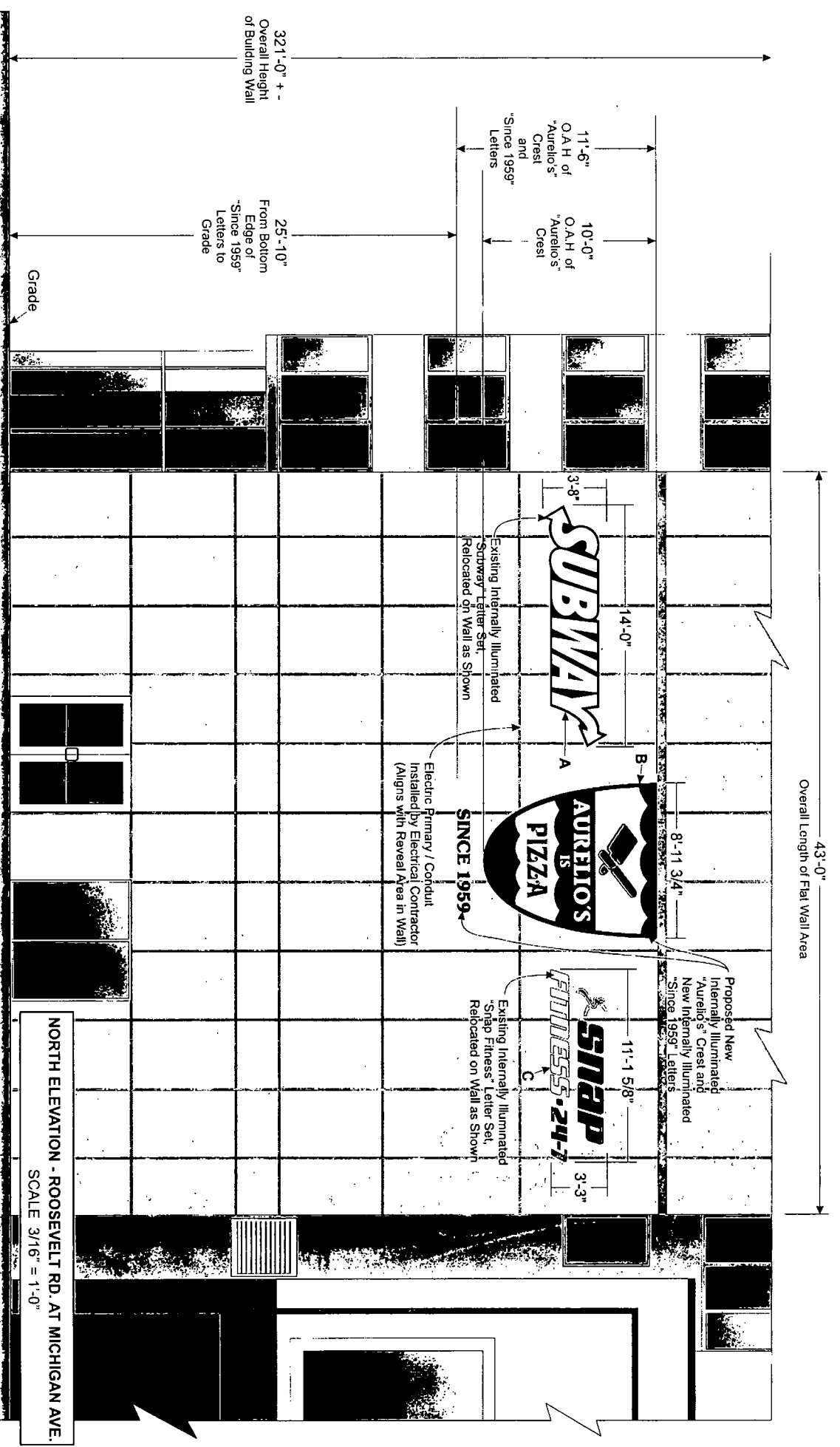
Aurelio's Pizza
1212 S. Michigan Avenue
Chicago, IL. 60605

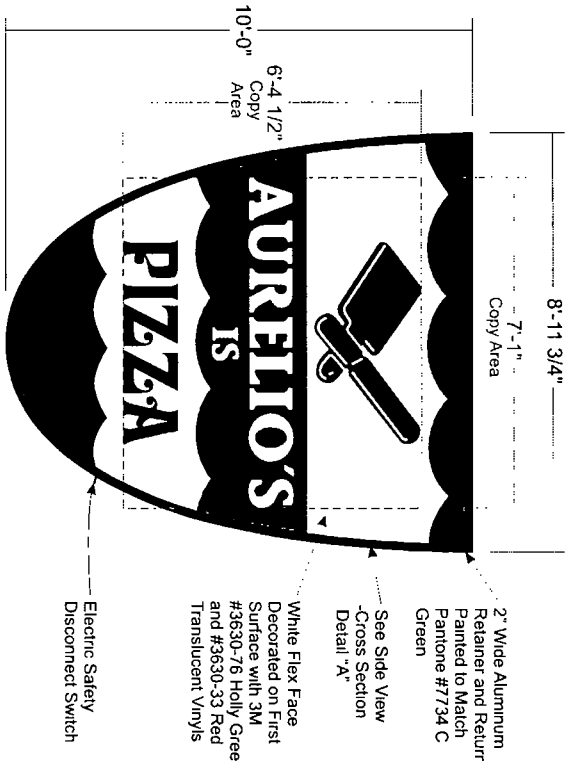
Dimensions: 10'0" x 9'0"

Height above grade: 4'6"
(to top of sign)

Such signs shall comply with all provisions of Title 17 of the Chicago Zoning Ordinance and all other applicable provisions of the Municipal Code of the City of Chicago governing the construction and maintenance of outdoor signs, sign boards, and structures.


Alderman, _____ Ward

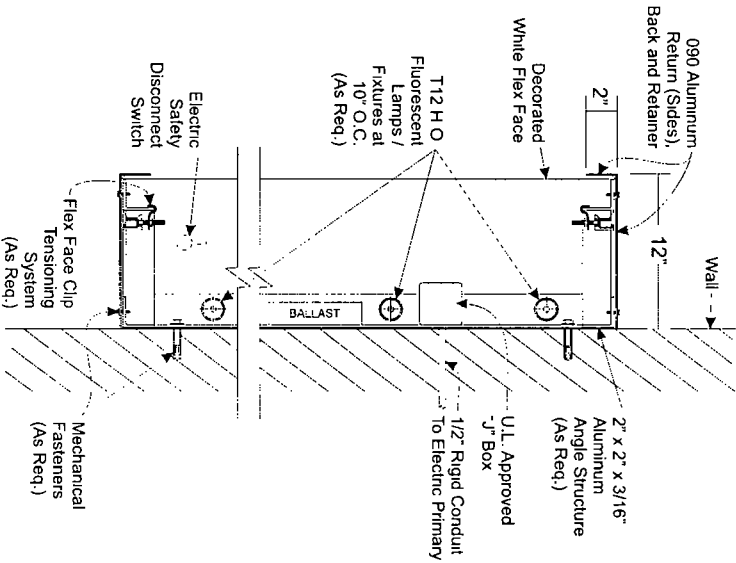




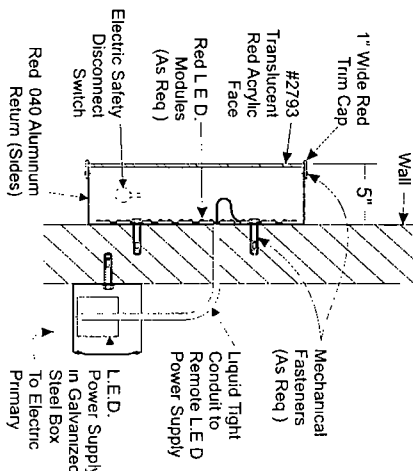
9' **SINCE 1959**

FRONT ELEVATION - SIGN B
Scale: 3/8" = 1'-0"

**QTY. ONE (1) NEW INTERNALLY ILLUMINATED
"AURELIO'S CREST" SIGN
AND
"SINCE 1959" FACE-LIT CHANNEL LETTERS**



SIDE VIEW - CROSS SECTION DETAIL "A"
("Crest" Logo)
N.T.S.



SIDE VIEW - CROSS SECTION DETAIL "B"
(Channel Letters)
N.T.S.