



City of Chicago



O2013-4356

Office of the City Clerk

Document Tracking Sheet

Meeting Date:	6/5/2013
Sponsor(s):	Chandler, Michael D. (24)
Type:	Ordinance
Title:	Grant(s) of privilege in public way for Daily Food & Liquor Inc. - Security
Committee(s) Assignment:	Committee on Transportation and Public Way

ORDINANCE
DAILY FOOD & LIQUOR INC
Acct. No. 20086 - 1
Permit No. 1106622

Be It Ordained by the City Council of the City of Chicago:

SECTION 1. Permission and authority are hereby given and granted to DAILY FOOD & LIQUOR INC, upon the terms and subject to the conditions of this ordinance to maintain and use, as now constructed, two (2) Security Camera(s) projecting over the public right-of-way for security purposes adjacent to its premises known as 3958 W. Arthington St..

Said Security Camera(s) at W. Arthington measure(s):

Two (2) at one (1) foot in length, one (1) foot in width and fourteen (14) feet above grade level.

The location of said privilege shall be as shown on prints kept on file with the Department of Business Affairs and Consumer Protection and the Office of the City Clerk.

Said privilege shall be constructed in accordance with plans and specifications approved by the Department of Planning and Development and Department of Transportation (Division of Project Development).

This grant of privilege in the public way shall be subject to the provisions of Section 10-28-015 and all other required provisions of the Municipal Code of Chicago.

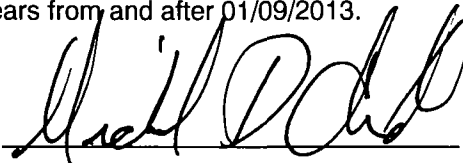
The grantee shall pay to the City of Chicago as compensation for the privilege #1106622 herein granted the sum of zero (\$0.00) per annum in advance.

A 25% penalty will be added for payments received after due date.

The permit holder agrees to hold the City of Chicago harmless for any damage, relocation or replacement costs associated with damage, relocation or removal of private property caused by the City performing work in the public way.

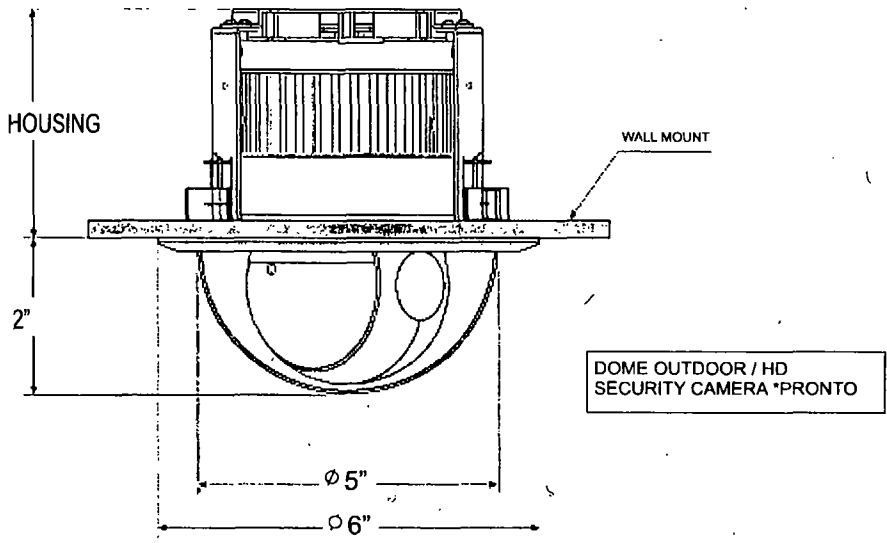
Authority herein given and granted for a period of five (5) years from and after 01/09/2013.

Alderman

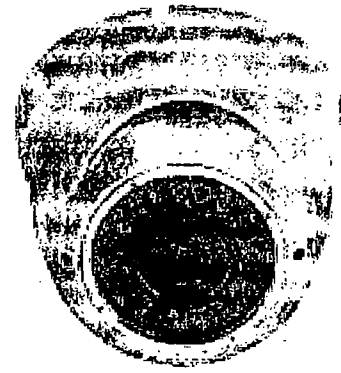
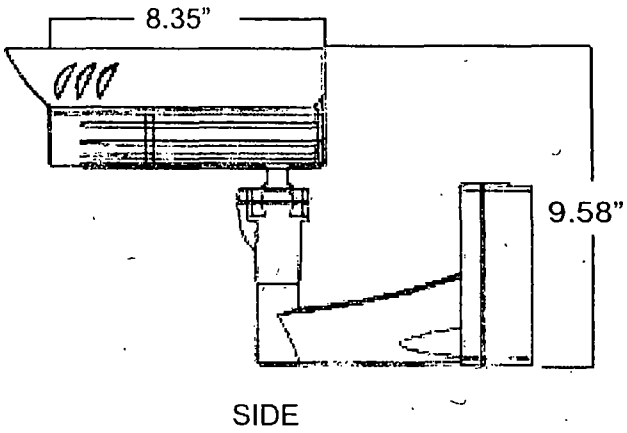


Michael D. Chandler 24th Ward

10/10/10



All Dimensions in mm





06/05/2013

Alderman Michael D. Chandler
Ward # **24**
City of Chicago
City Hall, Room **203**
121 North LaSalle Street
Chicago, Illinois 60602

Re: An ordinance to use and maintain a portion of the public right-of-way for **two (2) security camera(s)** for **DAILY FOOD & LIQUOR INC**, adjacent to the premises known as **3958 W. Arthington St.**

Dear Alderman **Michael D. Chandler**:

The applicant referenced above has requested the use of the public right-of-way for a **security camera(s)**. An ordinance has been prepared by the Department of Business Affairs and Consumer Protection – Business Assistance Center - Public Way Use Unit for presentation to the City Council. Because this request was made for properties located in your ward, as approved by you as per the attached, I respectfully request that you introduce the attached ordinance at the next City Council meeting.

If you have any questions regarding this ordinance, please contact Anthony Bertuca at (312) 744-5506.

Department of Business Affairs and Consumer Protection