



City of Chicago



O2014-1776

Office of the City Clerk

Document Tracking Sheet

Meeting Date:	3/5/2014
Sponsor(s):	Balcer (11)
Type:	Ordinance
Title:	Awning(s) for China Wok
Committee(s) Assignment:	Committee on Transportation and Public Way

ORDINANCE
CHINA WOK

Acct. No. 349737-1

Permit No. 1098955

ORDINANCE
CHINA WOK

Acct. No. 349737-1

Permit No. 1098955

07/11/11

08:00 AM

1098955

1098955

Be It Ordained by the City Council of the City of Chicago:

SECTION 1. Permission and authority are hereby given and granted to CHINA WOK, upon the terms and subject to the conditions of this ordinance to maintain and use, as now constructed, one (1) Awning(s) projecting over the public right-of-way adjacent to its premises known as 1958 W. 35th St.

Said Awning(s) at W. 35th Street measure(s):

One (1) at thirty-one point six six (31.66) feet in length, and one point six (1.6) foot in width, for a total of fifty point six six (50.66) square feet.

The location of said privilege shall be as shown on prints kept on file with the Department of Business Affairs and Consumer Protection and the Office of the City Clerk.

Said privilege shall be constructed in accordance with plans and specifications approved by the Zoning Department - Signs.

This grant of privilege in the public way shall be subject to the provisions of Section 10-28-015 and all other required provisions of the Municipal Code of Chicago.

The grantee shall pay to the City of Chicago as compensation for the privilege #1098955 herein granted the sum of fifty-six dollars and sixty-six cents (\$56.66) per annum in advance.

A 25% penalty will be added for payments received after due date.

The permit holder agrees to hold the City of Chicago harmless for any damage, relocation or replacement costs associated with damage, relocation or removal of private property caused by the City performing work in the public way.

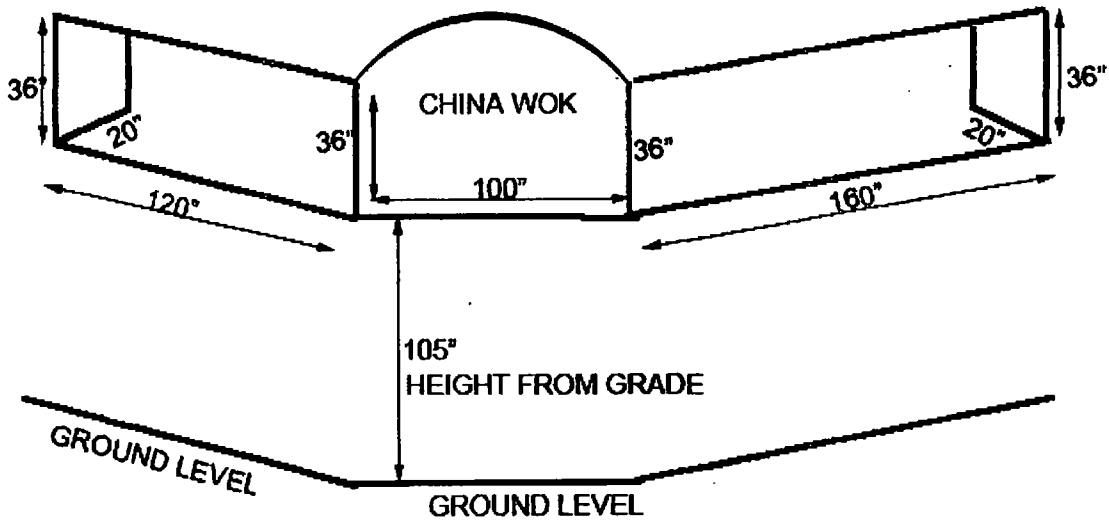
Authority herein given and granted for a period of five (5) years from and after Date of Passage.

Alderman James A. Balcer
James A. Balcer 11th Ward

AWNING DRAWINGS

PROPERTY LOCATION: 1958 W 35 ST CHICAGO, IL 60608

ORGANIZATION'S NAME: CHINA WOK





Department of Business Affairs and Consumer Protection
Small Business Center - Public Way Use Unit
City Hall - 121 N. LaSalle Street, Room 800 • Chicago, IL 60602
(312)-74-GOBIZ (312-744-6249) • (312) 744-1944 (TTY)
<http://www.cityofchicago.org/bacp>

03/05/2014

Alderman **James A. Balcer**
Ward # **11**
City of Chicago
City Hall, Room **203**
121 North LaSalle Street
Chicago, Illinois 60602

Re: An ordinance to use and maintain a portion of the public right-of-way for **one (1) awning(s)** for **CHINA WOK**, adjacent to the premises known as **1958 W. 35th St.**

Dear Alderman **James A. Balcer**:

The applicant referenced above has requested the use of the public right-of-way for a **awning(s)**. An ordinance has been prepared by the Department of Business Affairs and Consumer Protection – Small Business Center - Public Way Use Unit for presentation to the City Council. Because this request was made for properties located in your ward, as approved by you as per the attached, I respectfully request that you introduce the attached ordinance at the next City Council meeting.

If you have any questions regarding this ordinance, please contact Anthony Bertuca at (312) 744-5506.

Department of Business Affairs and Consumer Protection